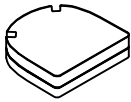



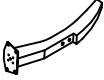






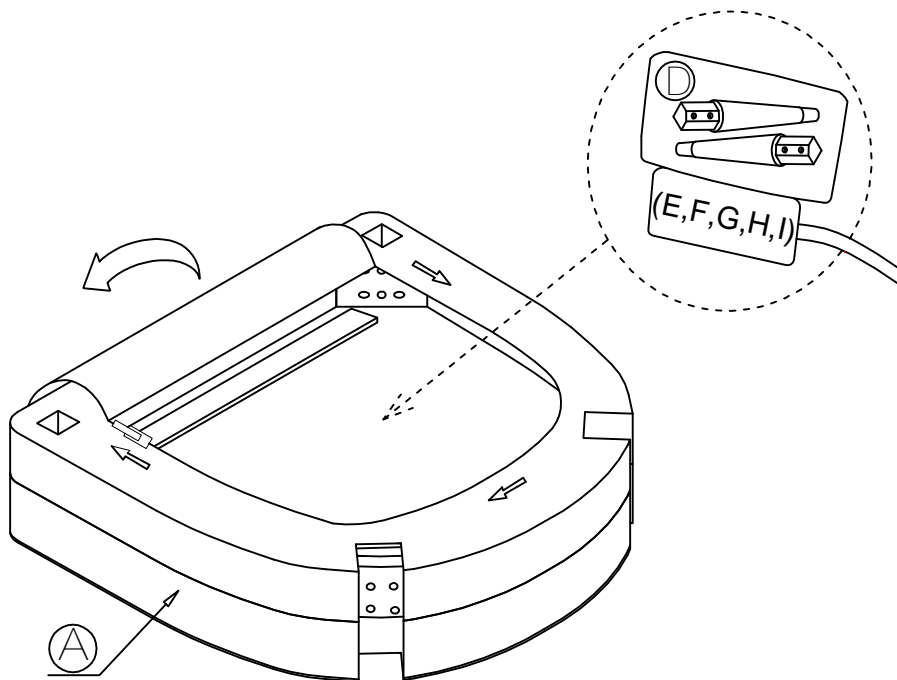
ASSEMBLY INSTRUCTION

ITEM NO: 1042DG -1 ACCENT CHAIR

NO.	PARTS LIST	QTY	DESCRIPTION	NO.	PARTS LIST	QTY	DESCRIPTION
A		1	Seat Frame	F		8	Allen Bolt ØM8*30
B		1	Back Rest	G		8	Flat Washer M8*Ø22*1.5mm
C		2	Wooden Rear Leg	H		8	Lock Washer M8
D		2	Wooden Front Leg	I		1	Allen Key M5*100*50mm
E		8	Allen Bolt ØM8*60				

STEP 1:

Unzip the dust cover, take out all the parts for assembly.

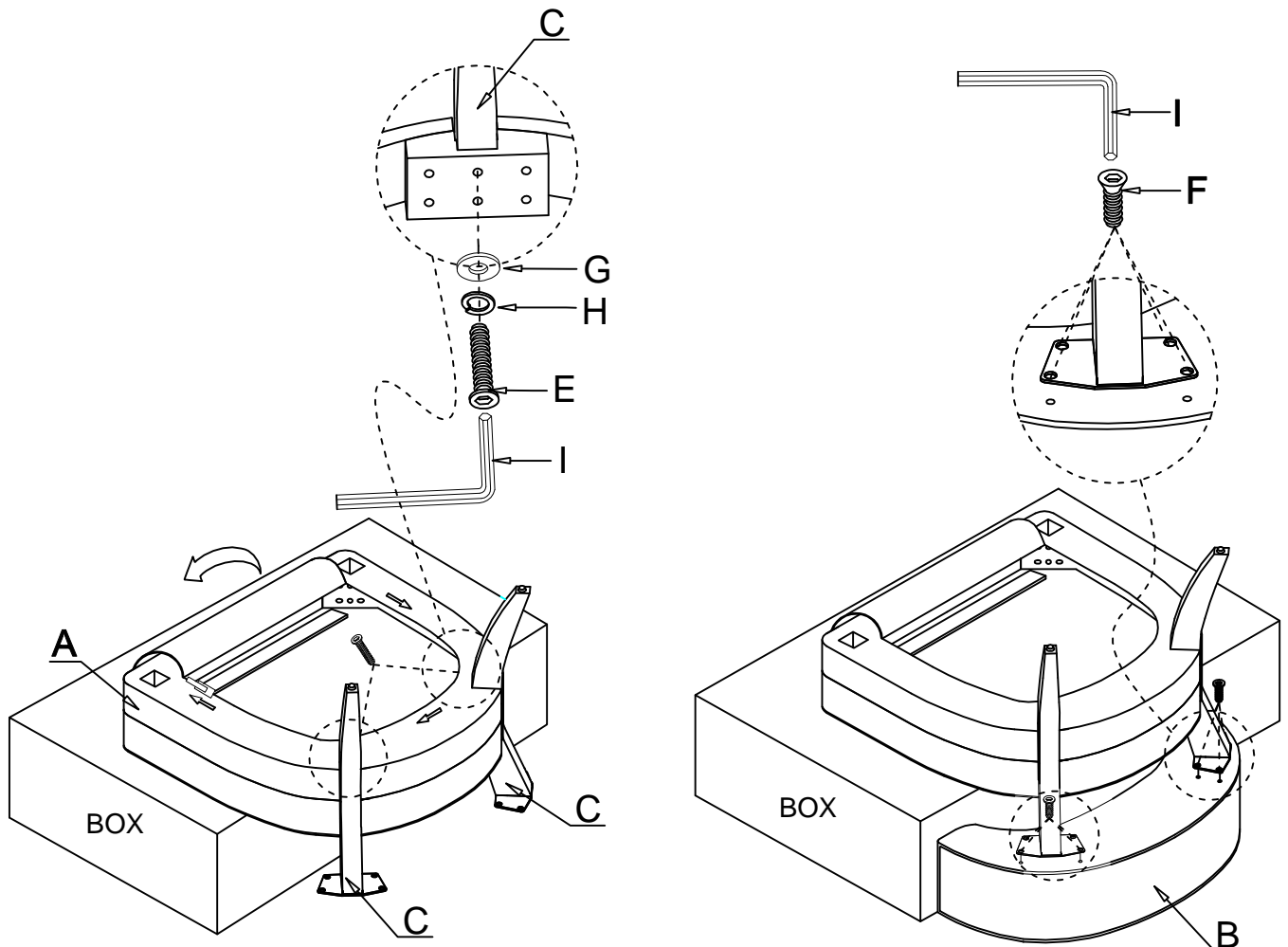


STEP 2:

Align both rear legs (C) to the seat frame back opening. Make sure both legs are fixed in the position properly.

Insert bolt (E), washer (G), (H) to the rear legs, tighten with Allen key I, DO NOT FULLY TIGHTEN at this step.

Align and attach the back rest to the leg C bracket, make sure back rest pre-drilled holes are aligned to the leg bracket pre-drilled holes. Insert bolt (F) onto the bracket, tighten with Allen key I. DO NOT FULLY TIGHTEN IT.





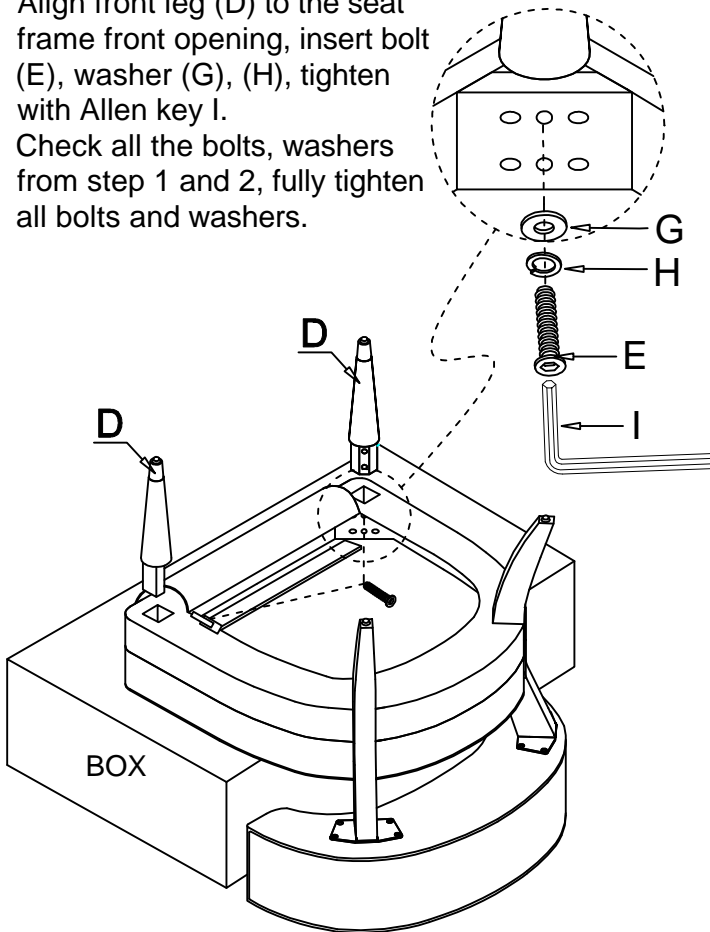
HOME ELEGANCE

ASSEMBLY INSTRUCTION

ITEM NO: 1042DG -1 ACCENT CHAIR

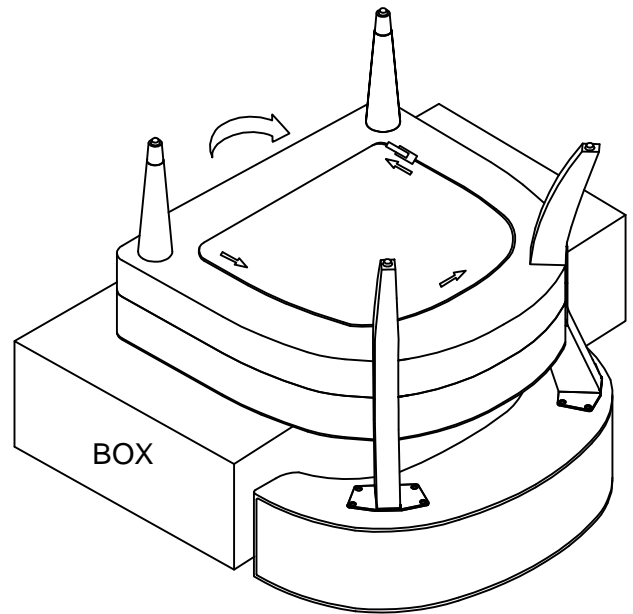
STEP 3:

Align front leg (D) to the seat frame front opening, insert bolt (E), washer (G), (H), tighten with Allen key I.
Check all the bolts, washers from step 1 and 2, fully tighten all bolts and washers.

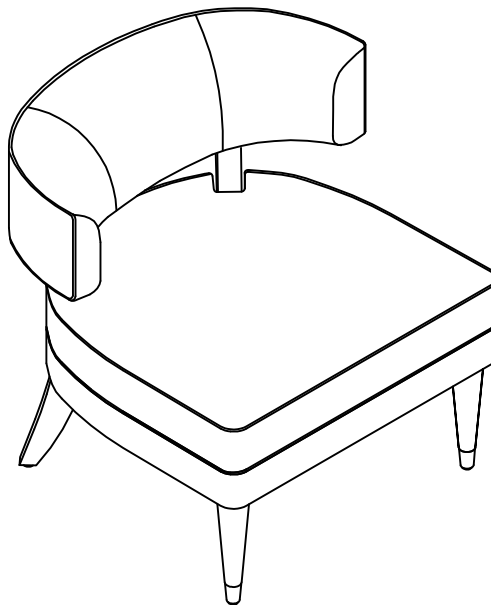


STEP 4:

Zipper the bottom cover.



STEP 5: Complete



CARE INSTRUCTION FOR FABRIC FURNITURE

In order to maintain the original appearance of your fabric furniture, please follow below simple care procedures.

°Avoid exposing furniture directly to sunlight or heating and air conditioning outlets. Exposure to sunlight or heating and air conditioning outlets will fade/damage fabric.

°Wipe gently with a damp soft cloth to remove dust, dirt and any grime build up.