



ASSEMBLY INSTRUCTION

Item No.:

1430-1 (1/3) Queen Headboard

1430-2 (2/3) Queen Footboard & Slats

1430-3 (3/3) Eastern King/Queen Side Rails

Thank you for purchasing this product. Please take time to read and follow the instructions below. Check that you have all parts and hardware before assembly. Parts apparently missing are often found in the packing materials. If you do not have all the parts listed, have your dealer contact us and they will be sent to you immediately.

▲ It is recommended to install protective pads under all legs and supports to avoid damage or scratches when placing furniture on a wood floor or other hard surface, and to limit indentation and prevent discoloration if placing on carpet.

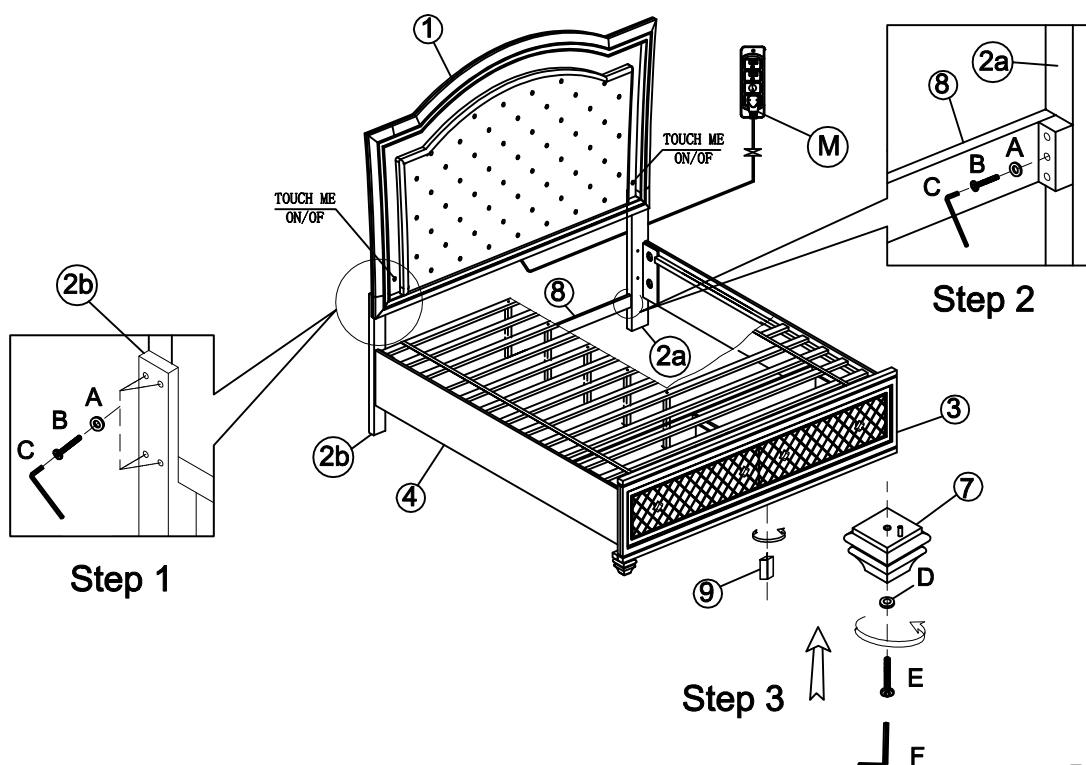
| Part List | | |
|-----------|-----------------------|-------|
| NO. | DESCRIPTION | Q'TY |
| 1 | Headboard | 1PC |
| 2a | Headboard Posts RSF | 1PC |
| 2b | Headboard Posts LSF | 1PC |
| 3 | Footboard | 1PC |
| 4 | Rails | 2PCS |
| 5 | Slat Roll | 13PCS |
| 6 | Slat Support Leg | 5PCS |
| 7 | Bun foot | 2PCS |
| 8 | Headboard support bar | 1PC |
| 9 | Footboard support leg | 1PC |

| Hardware List In- 1 | | | |
|---------------------|-----------------------|--------|-------|
| NO. | DESCRIPTION | FIGURE | Q'TY |
| A | Flat washer 5/16" Dia | | 10PCS |
| B | Bolt 5/16" x 45L(mm) | | 10PCS |
| C | Allen Key | | 1PC |
| M | Plug with wire | | 1PC |

| Hardware List In- 2 | | | |
|---------------------|-----------------------|--------|-------|
| NO. | DESCRIPTION | FIGURE | Q'TY |
| D | Flat washer 5/16" Dia | | 2PCS |
| E | Bolt 5/16" x 2"L | | 2PCS |
| F | Allen Key | | 1PC |
| G | Bolt 1/4" x 1.25"L | | 5PCS |
| H | Screw Ø8*Ø4*1.25"L | | 26PCS |

| Hardware List In-3 | | | |
|--------------------|------------------|--------|------|
| NO. | DESCRIPTION | FIGURE | Q'TY |
| I | Bolt 5/16" x 3"L | | 8PCS |
| J | Curved washer | | 8PCS |
| K | Bolt | | 8PCS |
| L | Spanner Wrench | | 1PCS |

Tools Required: Please use a screwdriver for the screwdriver is not included





ASSEMBLY INSTRUCTION

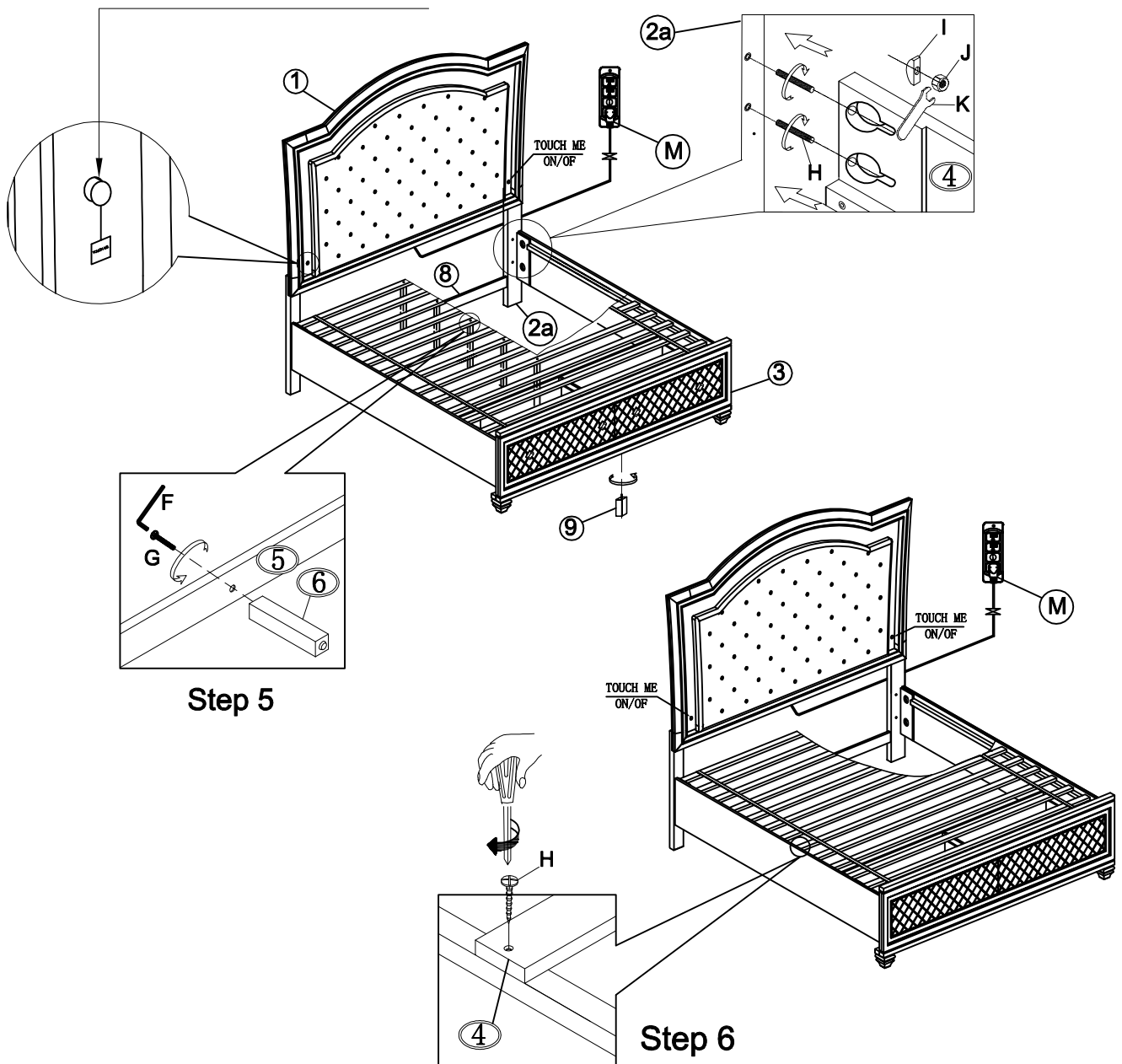
Item No.:

1430-1 (1/3) Queen Headboard

1430-2 (2/3) Queen Footboard & Slats

1430-3 (3/3) Eastern King/Queen Side Rails

"the first touch is on , second touch is brighter , third touch is brighter and brighter , fourth touch is off"



NOTE :

▲ DO NOT TIGHTEN BOLTS UNTIL COMPLETELY ASSEMBLED