
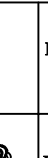



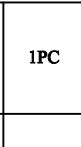















Assembly Instruction

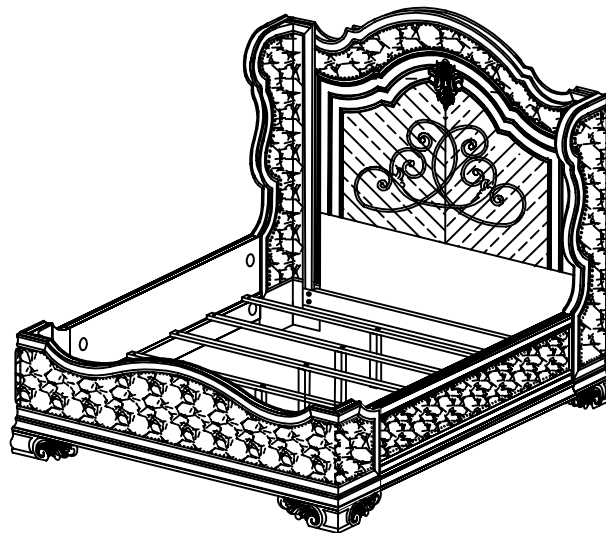
ITEM#: 1603 QUEEN BED
 1603-1 QUEEN HEADBOARD
 1603-2 QUEEN FOOTBOARD, RAILS & SLATS
 1603-P QN/EK/CK HEADBOARD POSTS

PART LIST

1		HEADBOARD PANEL	1PC
2		HEADBOARD POST LSF	1PC
3		HEADBOARD POST RSF	1PC
4		HEADBOARD CROSS BAR	1PC
5		FOOTBOARD	1PC
6		RAIL	2PCS
7		SLAT	4PCS
8		SUPPORT LEG	4PCS

HARDWARE LIST IN-2

A		ALLEN KEY 5/16"	1PC
B		BOLT 5/16"x1-3/4"	12PCS
C		SPRING WASHER 5/16"	12PCS
D		FLAT WASHER 5/16"	12PCS
E		BOLT 5/16" x 3-1/4"	8PCS
F		"C" WASHER 5/16"	8PCS
G		HEX NUT 5/16"	8PCS
H		WRENCH 13x90MM	1PC
J		WOOD SCREW #8 x 1"	8PCS



For items use on wooden floor, hard surfaces or carpets it is recommended to install protective pads under all legs and supports to avoid/prevent from damages/scratches and discoloration

MADE IN VIETNAM



Assembly Instruction

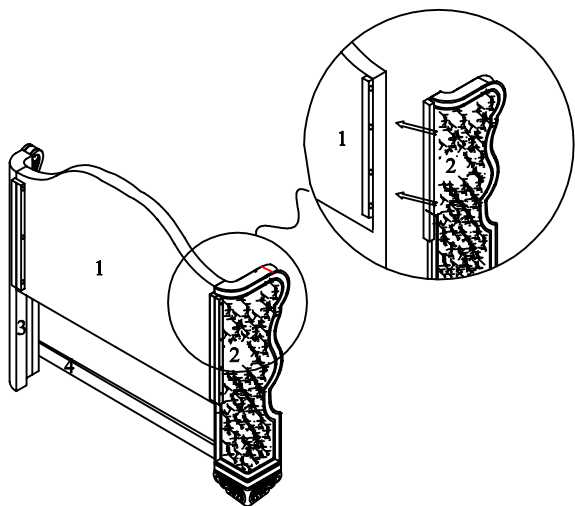
ITEM#: 1603 QUEEN BED

1603-1 QUEEN HEADBOARD

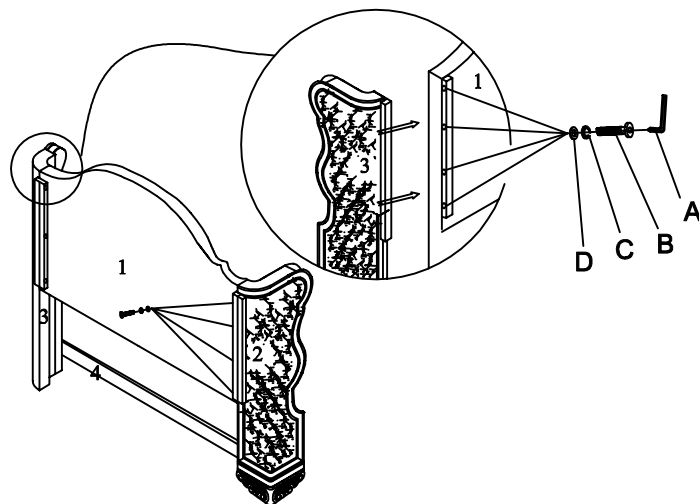
1603-2 QUEEN FOOTBOARD, RAILS & SLATS

1603-P QN/EK/CK HEADBOARD POSTS

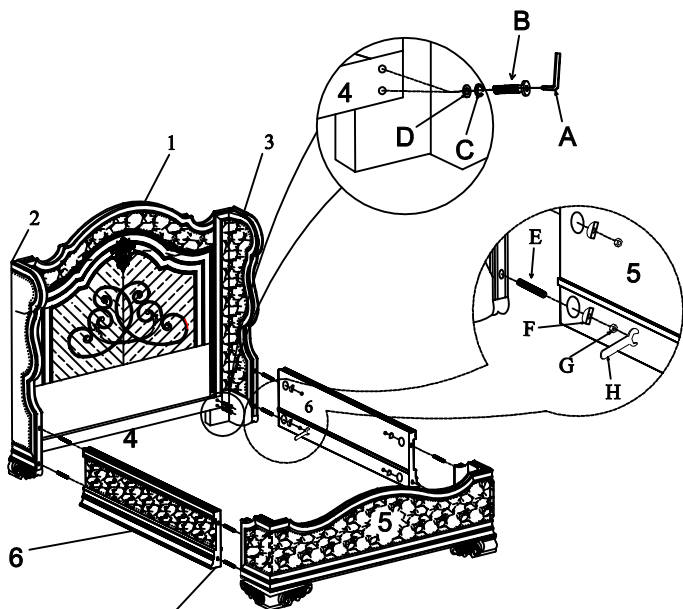
STEP 1



STEP 2

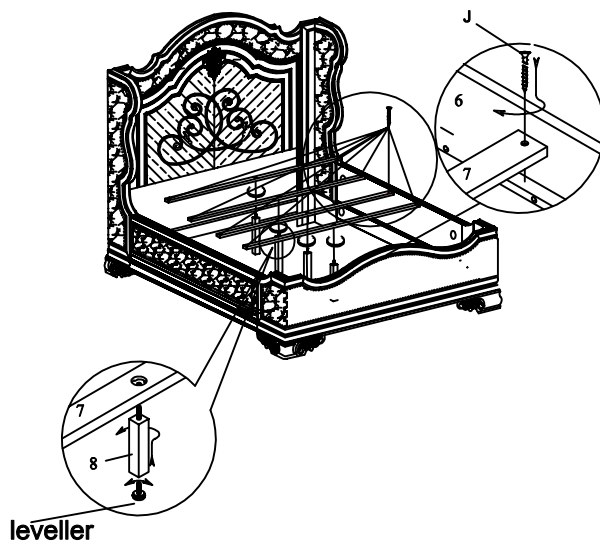


STEP 3



Fasten the bolts after alignment for the bottom line of FB to rails

STEP 4



leveller



For items use on wooden floor, hard surfaces or carpets it is recommended to install protective pads under all legs and supports to avoid/prevent from damages/scratches and discoloration

MADE IN VIETNAM