

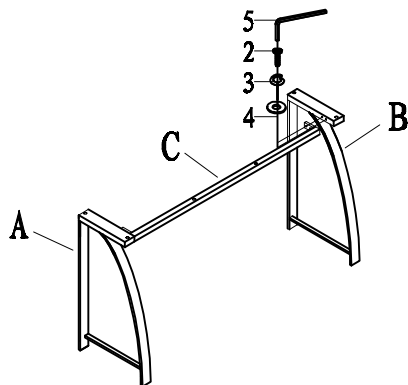


# Assembly Instruction

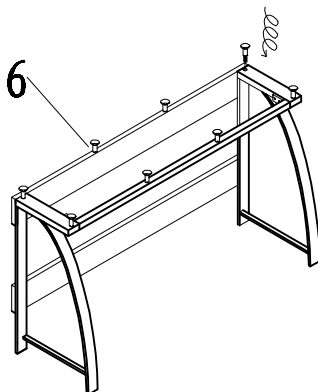
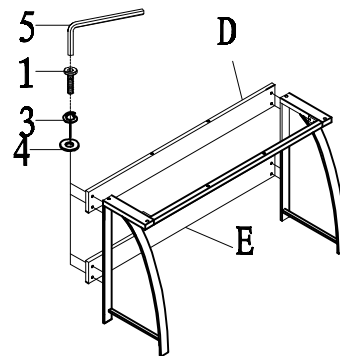
ITEM: 3533-15 WRITING DESK

PART LIST				HARDWARE LIST				
A	LSF LEG		1PC	1	BOLT		Φ1/4"*1-1/4"	8PCS
B	RSF LEG		1PC	2	BOLT		Φ1/4"*5/8"	4PCS
C	FRONT IRON CROSSBAR		1PC	3	SPRING WASHER		Φ1/4"	12PCS
D	UPPER BACK RAIL		1PC	4	FLAT WASHER		Φ1/4"*16mm	12PCS
E	LOWER BACK RAIL		1PC	5	ALLEN KEY		4mm	1PC
				6	GLASS HOLDER		Φ18*20mm	8PCS
				7	GLASS TOP		1216*524*10mm	1PC

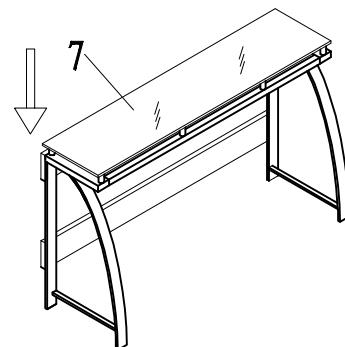
## STEP 1



## STEP 2



## STEP 3



## STEP 4

For items use on wooden floor, hard surfaces or carpets, it is recommended to install protective pads under all legs and supports to avoid/prevent from damages/scratches and discoloration.