



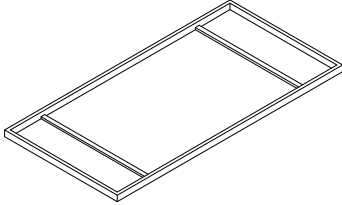
ASSEMBLY INSTRUCTION

3700-31

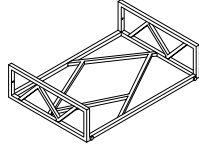
3 PCS OCCASIONAL SET

HOMELEGANCE

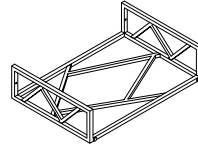
PART LIST:



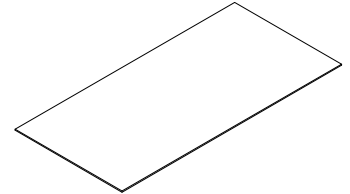
A:Cocktail Table
Top Frame
1PC



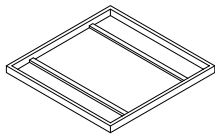
B:Cocktail Table
Leg Frame #1
1PC



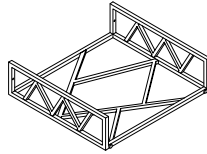
C:Cocktail Table
Leg Frame #2
1PC



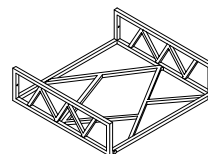
D:Cocktail Table
Top
1PC



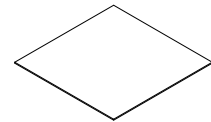
E:End Table
Top Frame
2PCS



F:End Table Leg
Frame #1
2PCS



G:End Table Leg
Frame #2
2PCS



H:End Table Top
2PCS

HARDWARE SET:



I:Bolt
1/4"*25mm
X 12PCS

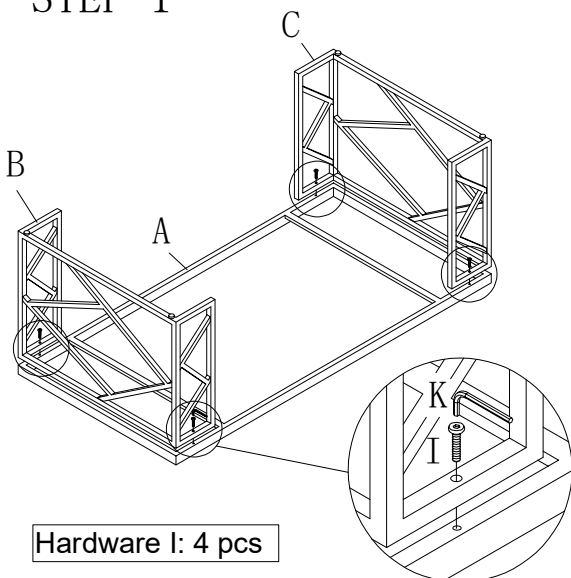


J:Plastic Pad
4mm
X 12PCS



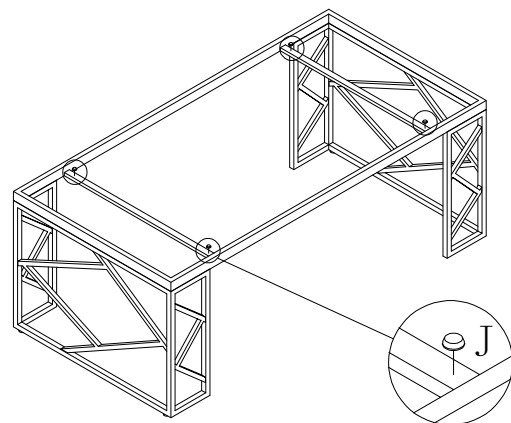
K:Allen Key
4mm
X 1PC

STEP 1



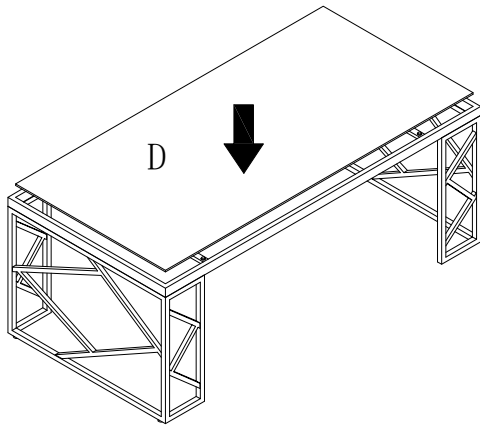
Hardware I: 4 pcs

STEP 2

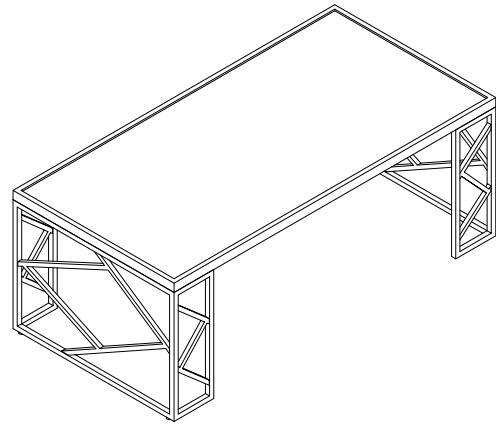


Hardware J: 4 pcs

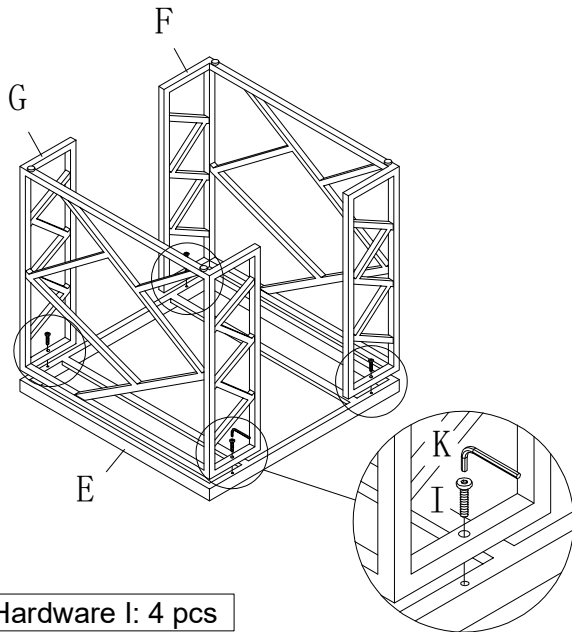
STEP 3



STEP 4

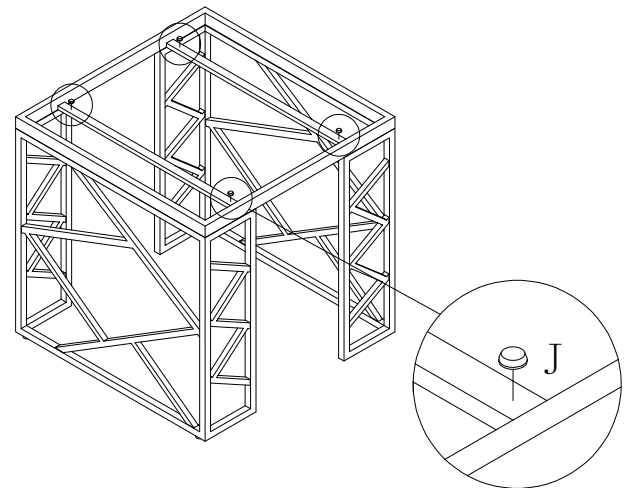


STEP 5



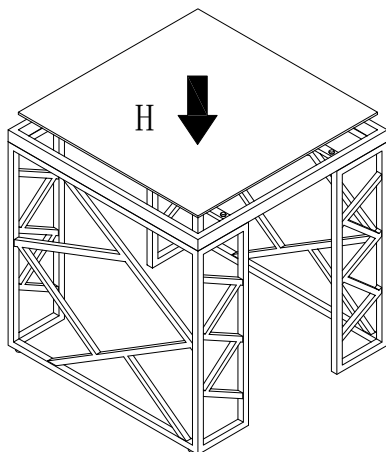
Hardware I: 4 pcs

STEP 6

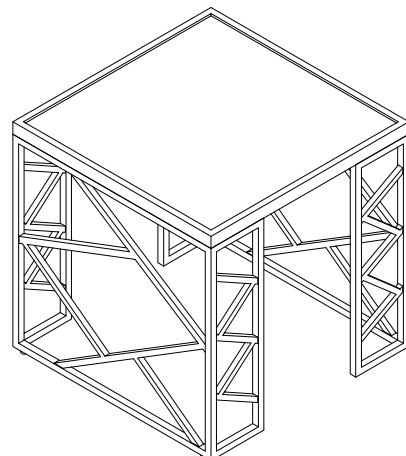


Hardware J: 4 pcs

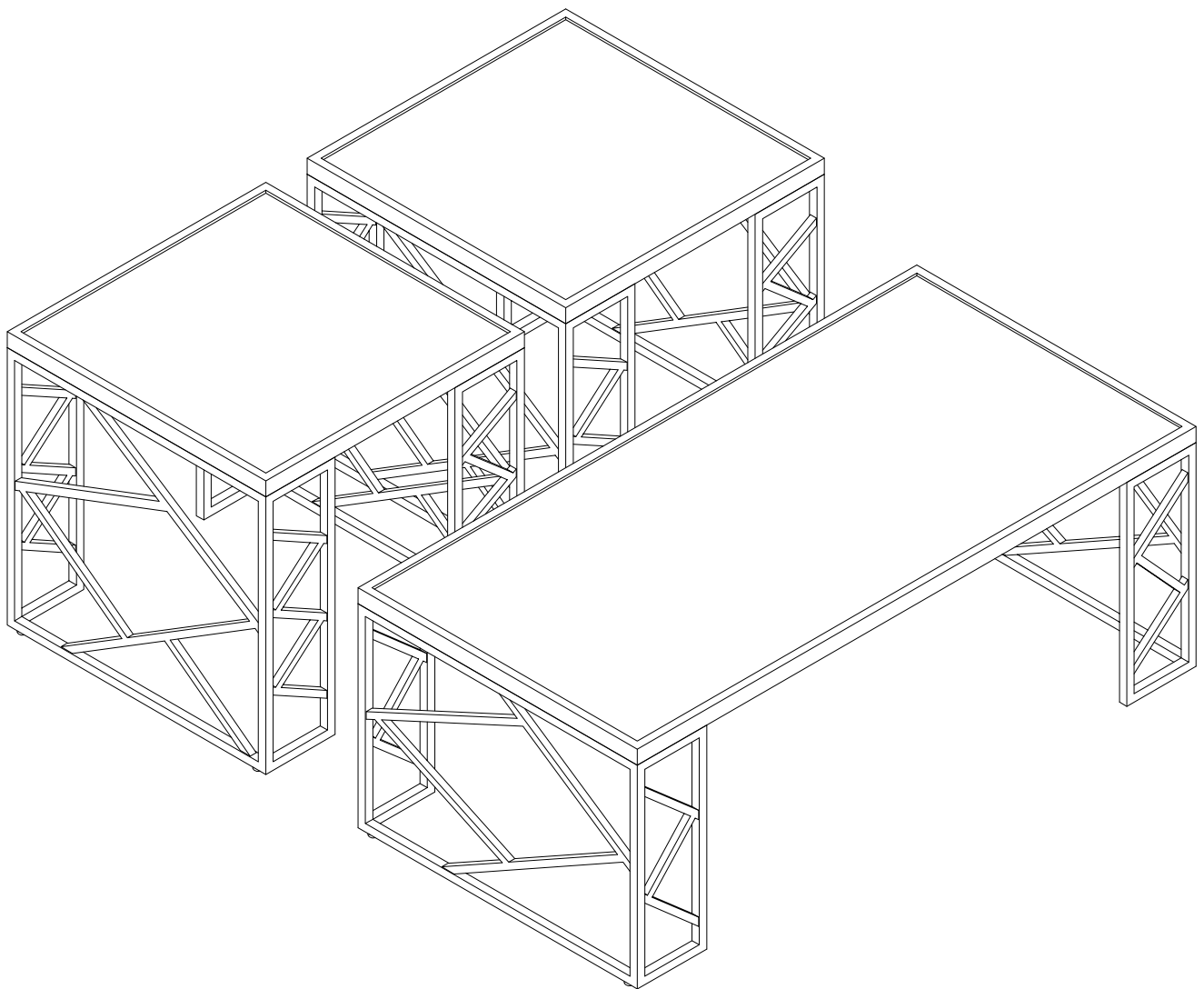
STEP 7




STEP 8



COMPLETED



 For items use on wooden floor, hard surfaces or carpets, it is recommended to Install protective pads under all legs and supports to avoid/prevent from damages/scratches and discoloration.