



ASSEMBLY INSTRUCTION

ITEM NO: 4989-A Daybed-Arms
4989-B Daybed-Rails
4989-C Daybed-shelf with USB outlet


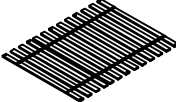
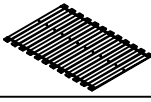

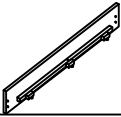
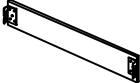






Thank you for being our valued customer. Be sure to check all packing materials carefully for small parts which have come loose inside the carton during shipment. Identify and count all items and compare them with the parts list below.

CAUTION: Read the Instructions carefully before assembly.

1. We recommend that you should assemble this product with the assistance of another person; this will make assembly easier, and will help to eliminate damage the product or injury to persons during assembly.
2. When you want to reposition the product, please always "LIFT & MOVE".

NOTE: Do not use power tools for assembly. Power tools increase the risk of over tightening which leads to splitting or cracking the wood.

PART LIST

NO.	DESCRIPTION	PART NAME	Q'TY (PC)
①	1-L LSF Arm 1-R RSF Arm		2
②	Daybed Slat 13 PCS/Roll		1
③	Trundle Slat 12 PCS/Roll		1
④	Plastic Feet		4
⑤	Trundle Back Panel		1
⑥	Trundle Side Panel		2
⑦	Packrest baffle		1
⑧	Side Rails		2
⑨	Daybed center support		1
⑩	Trundle Center Support		1
⑪	Trundle Front Panel		1
⑫	Back Rail		1



ASSEMBLY INSTRUCTION

ITEM NO: 4989-A Daybed-Arms
4989-B Daybed-Rails
4989-C Daybed-shelf with USB outlet







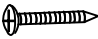
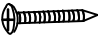
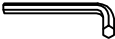
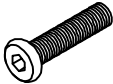




Thank you for being our valued customer. Be sure to check all packing materials carefully for small parts which have come loose inside the carton during shipment. Identify and count all items and compare them with the parts list below.

CAUTION: Read the Instructions carefully before assembly.

1. We recommend that you should assemble this product with the assistance of another person; this will make assembly easier, and will help to eliminate damage the product or injury to persons during assembly.
2. When you want to reposition the product, please always "LIFT & MOVE".

NOTE: Do not use power tools for assembly. Power tools increase the risk of over tightening which leads to splitting or cracking the wood.

HARDWARE PACKED WITH 4989-1

(A)		Bolt Ø5/16" x 1-1/2"	8
(B)		Bolt Ø5/16" x 2-1/2"	4
(C)		Bolt Ø5/16" x3/4"	8
(D)		Lock Washer 5/16"	20
(E)		Flat Washer 5/16"x 19mm	16
(F)		Flat Washer 5/16"x 22mm	4
(G)		Screw #8 X 1-1/4"	75
(H)		Screw #8 X 2"	4
(I)		Allen wrench M5	1
(J)		Bolt Ø1/4" x15mm	10
(K)		Flat Washer 1/4"x16mm	10
(L)		Lock Washer 1/4"	10
(M)		Allen wrench M4	1
(N)		L bracket	5



ASSEMBLY INSTRUCTION

ITEM NO: 4989-A Daybed-Arms 4989-B Daybed-Rails 4989-C Daybed-shelf with USB outlet

Thank you for being our valued customer. Be sure to check all packing materials carefully for small parts which have come loose inside the carton during shipment. Identify and count all items and compare them with the parts list below.

CAUTION: Read the Instructions carefully before assembly.

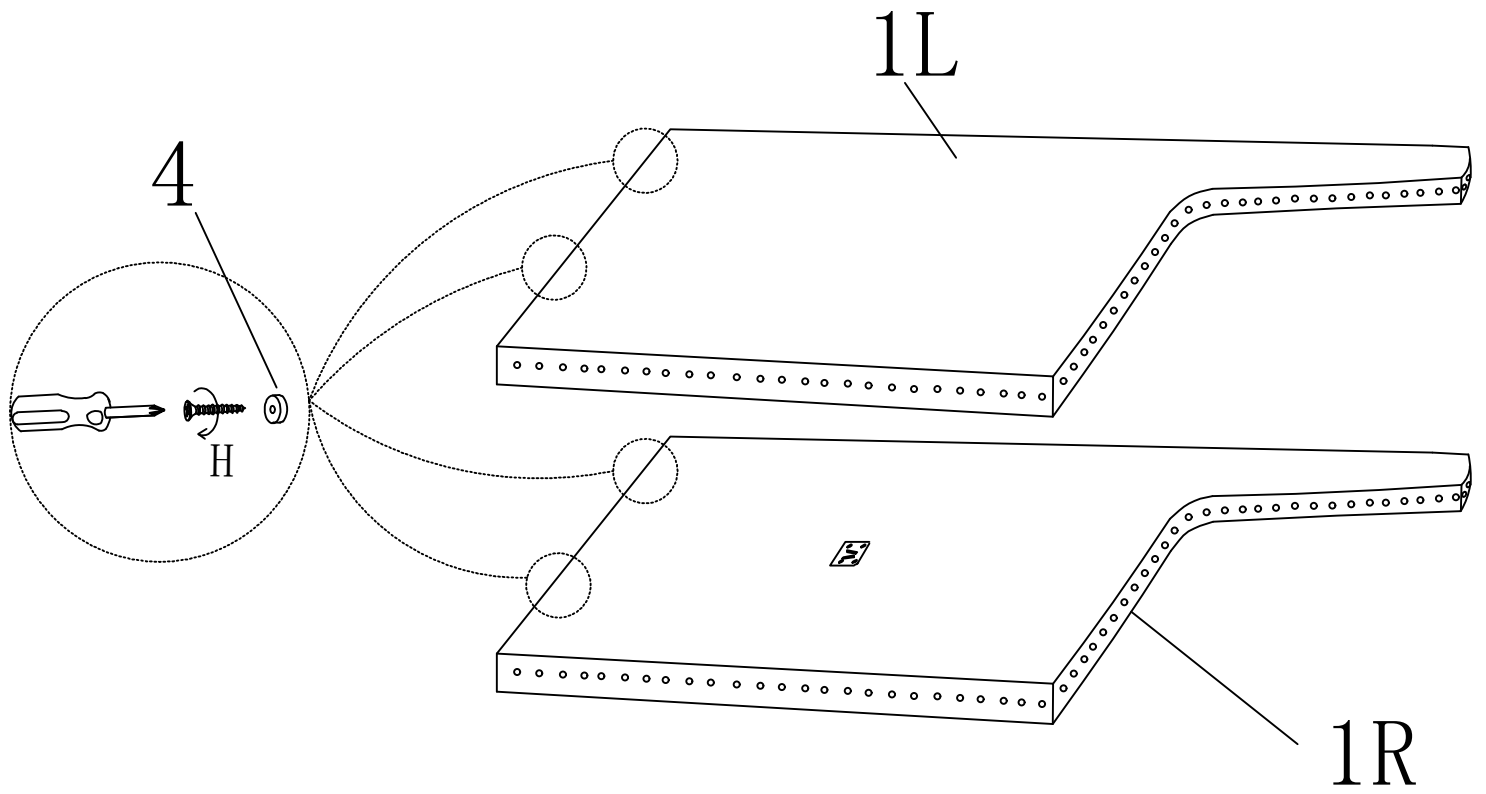
1. We recommend that you should assemble this product with the assistance of another person; this will make assembly easier, and will help to eliminate damage the product or injury to persons during assembly.
2. When you want to reposition the product, please always "LIFT & MOVE".

NOTE: Do not use power tools for assembly. Power tools increase the risk of over tightening which leads to splitting or cracking the wood.

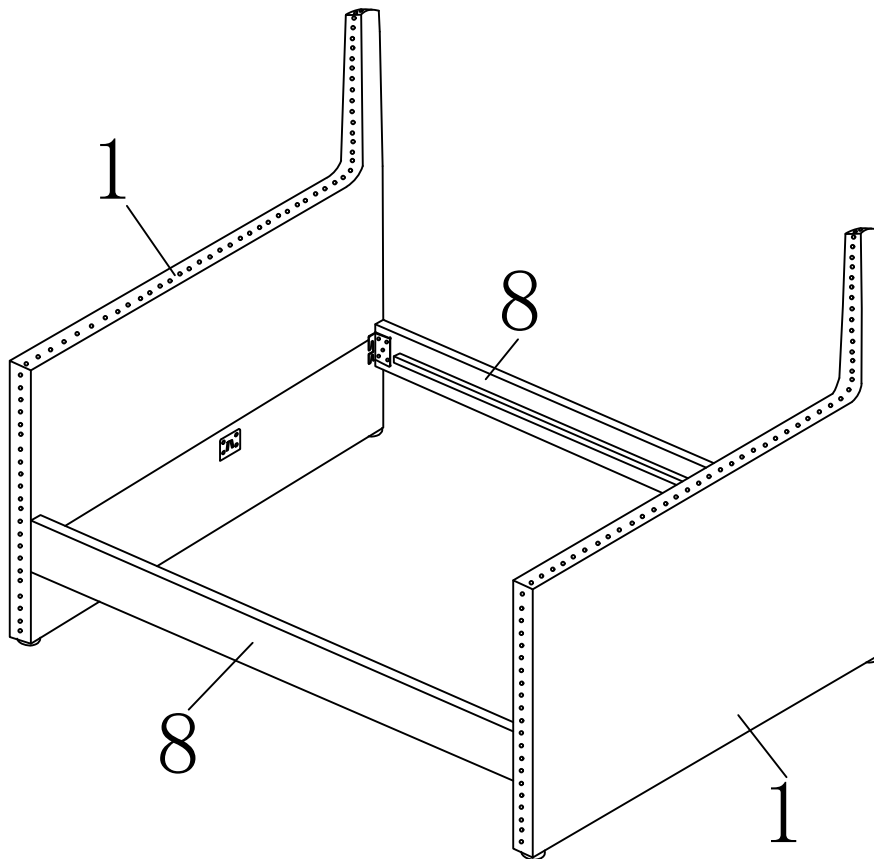
Item No.	Discription	Parts Inside	Q.TY	Hardware
4989-1	1-L LSF Arm 1-R RSF Arm	①	2PCS	
	Daybed Slat 13 PCS/Roll	②	1PC	
	Trundle Slat 12 PCS/Roll	③	1PC	
	Plastic Feet	④	4PCS	
4989-2	Trundle Back Panel	⑤	1PC	
	Trundle Side Panel	⑥	2PCS	
	Packrest baffle	⑦	1PC	
	Side Rails	⑧	2PCS	
	Daybed center support	⑨	1PC	
	Trundle Center Support	⑩	1PC	
	Trundle Front Panel	⑪	1PC	
4989-3	Back Rail	⑫	1PC	

ASSEMBLY INSTRUCTION

STEP 1

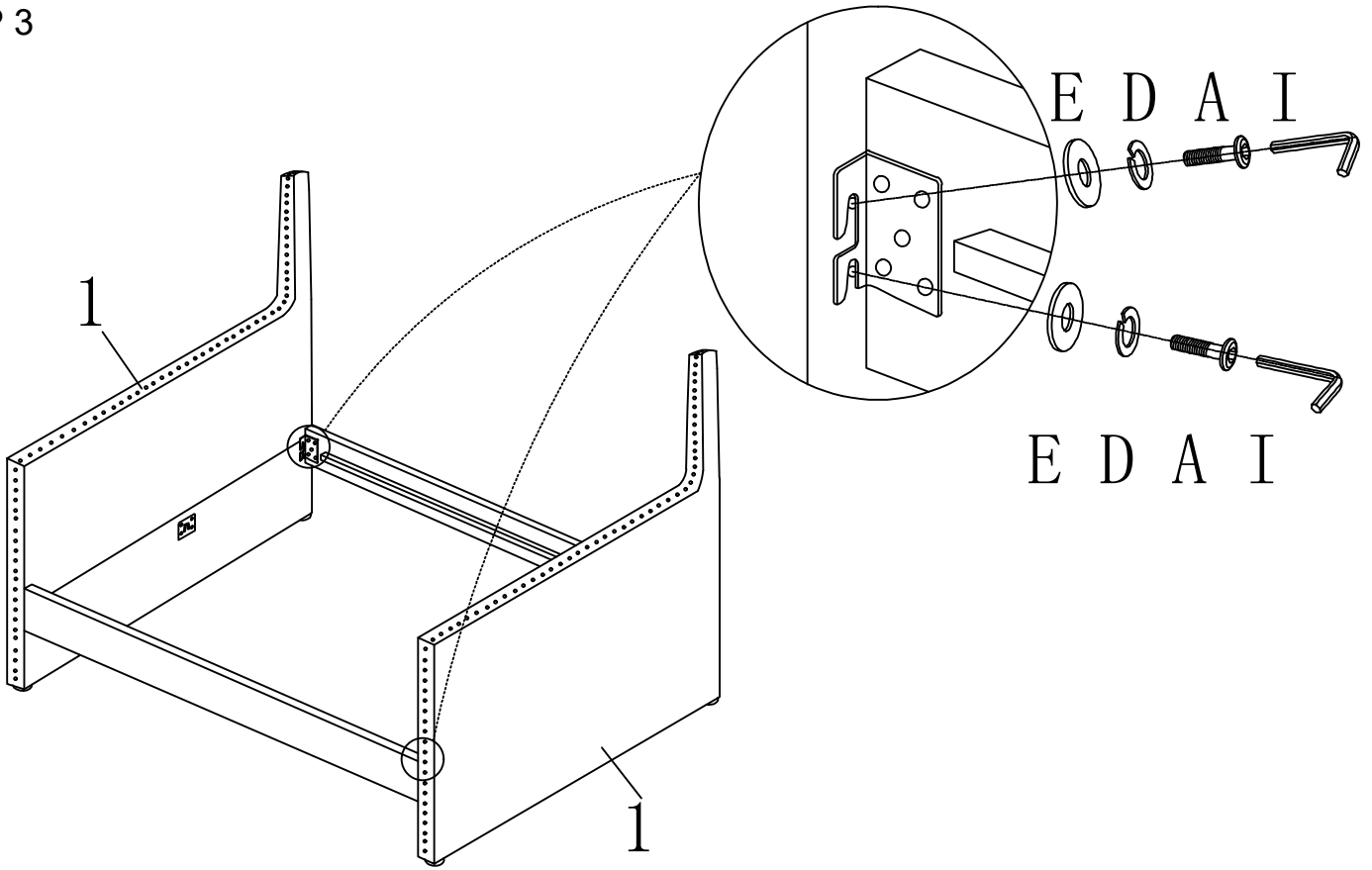


STEP 2

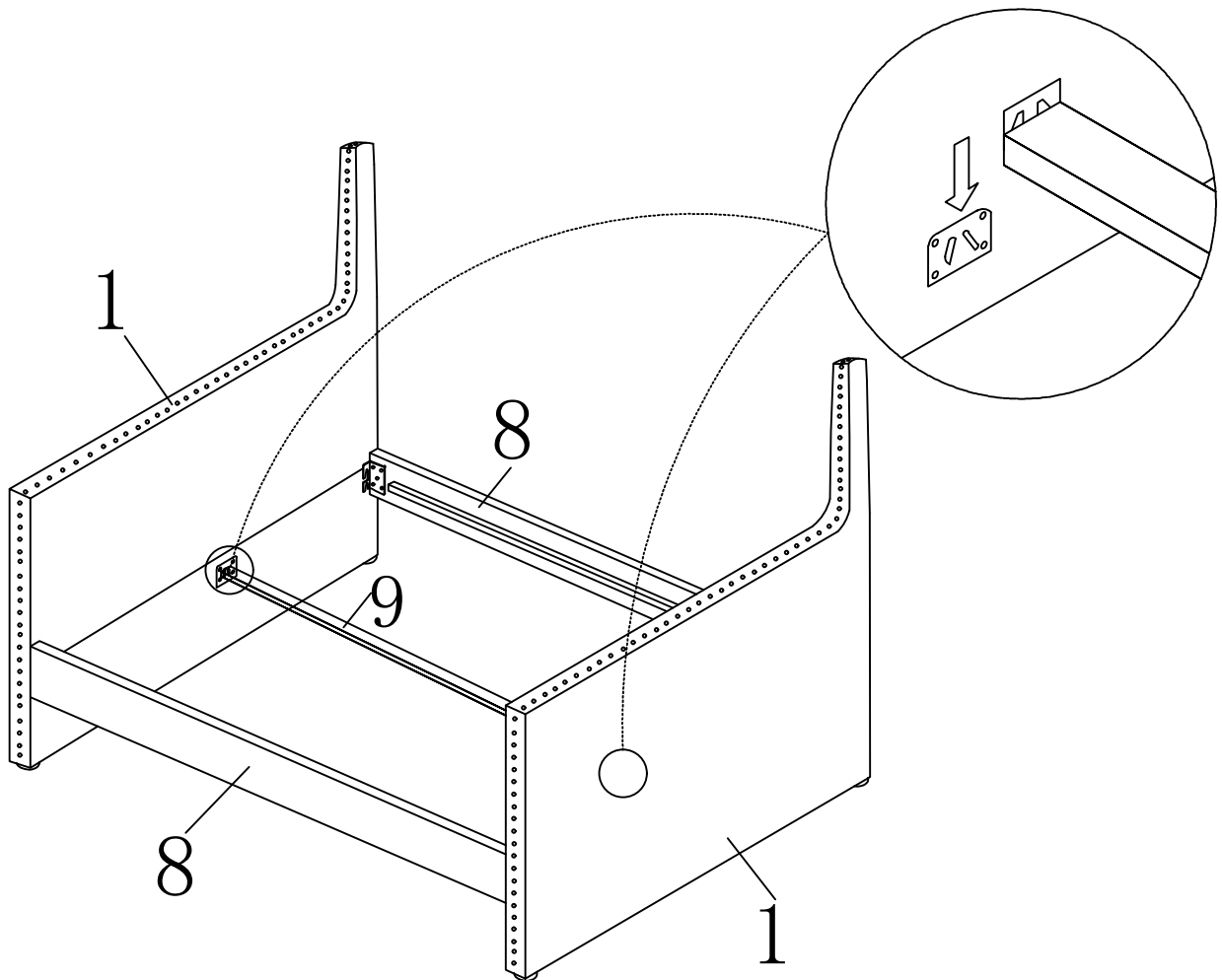


ASSEMBLY INSTRUCTION

STEP 3

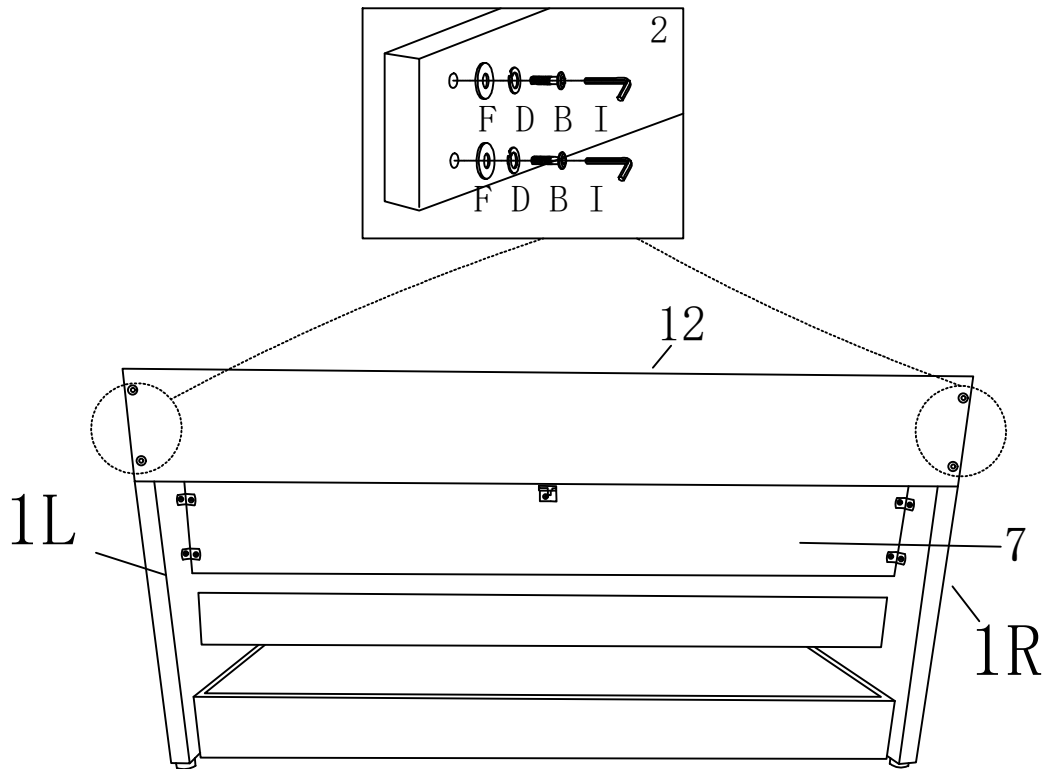


STEP 4

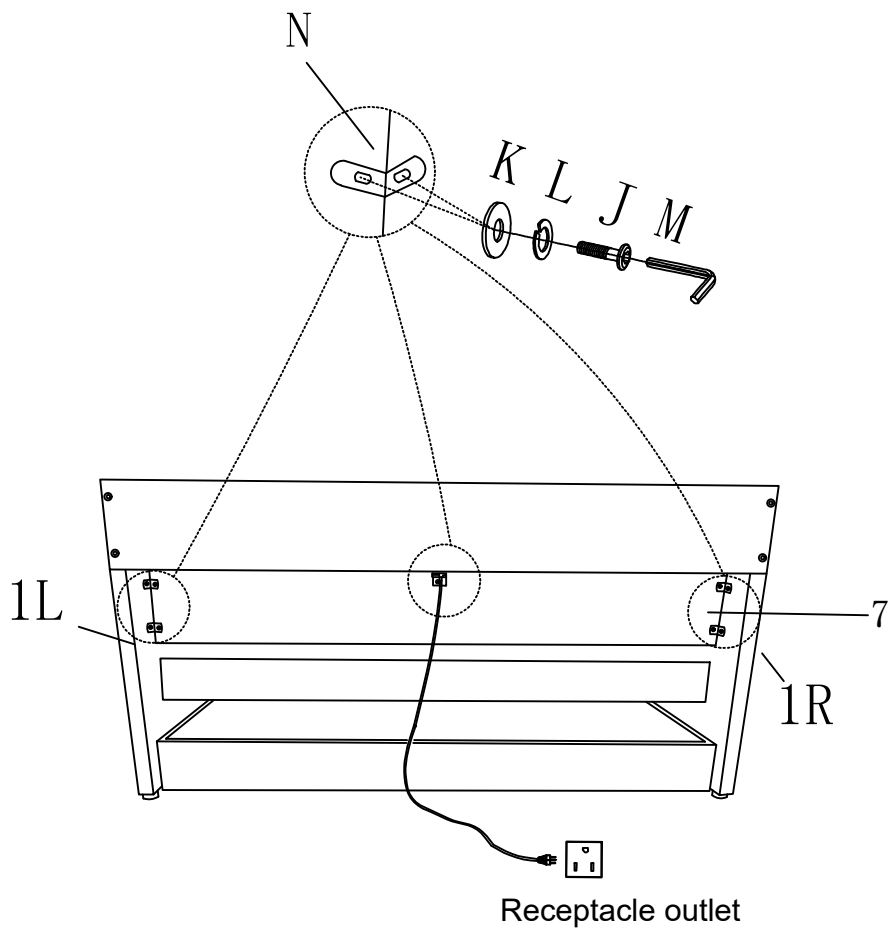


ASSEMBLY INSTRUCTION

STEP 5

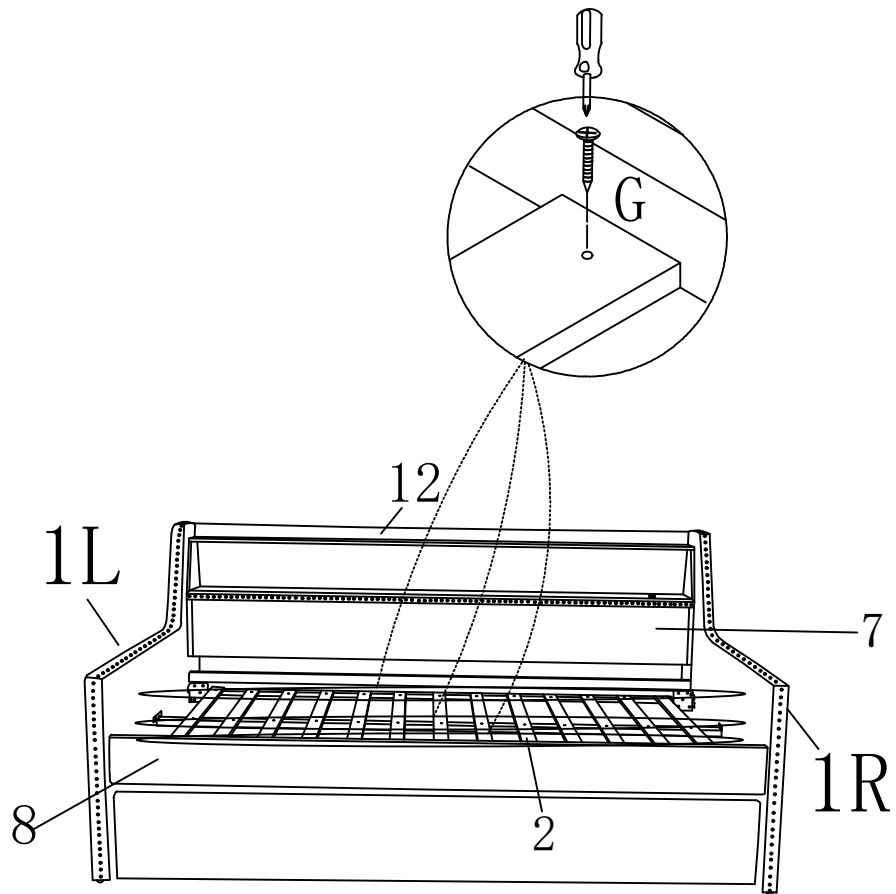


STEP 6

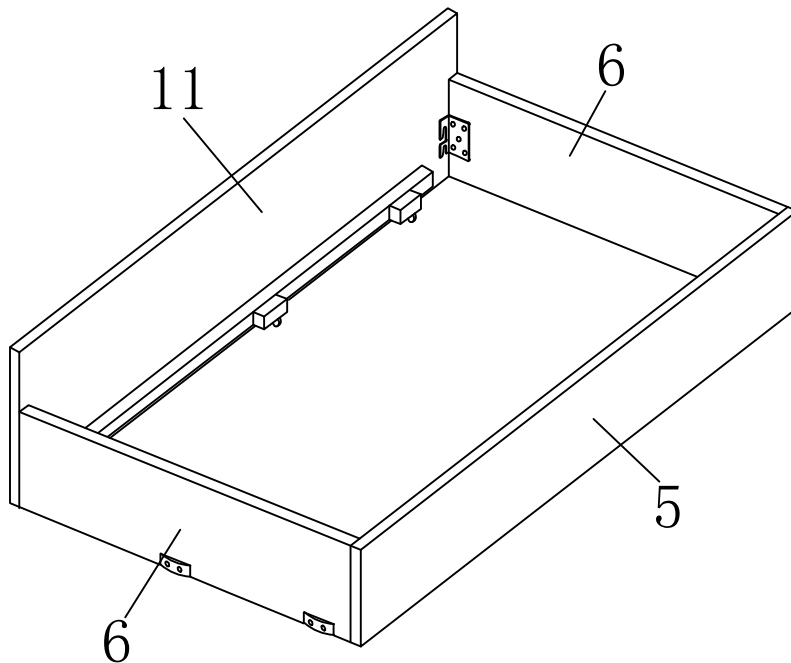


ASSEMBLY INSTRUCTION

STEP 7

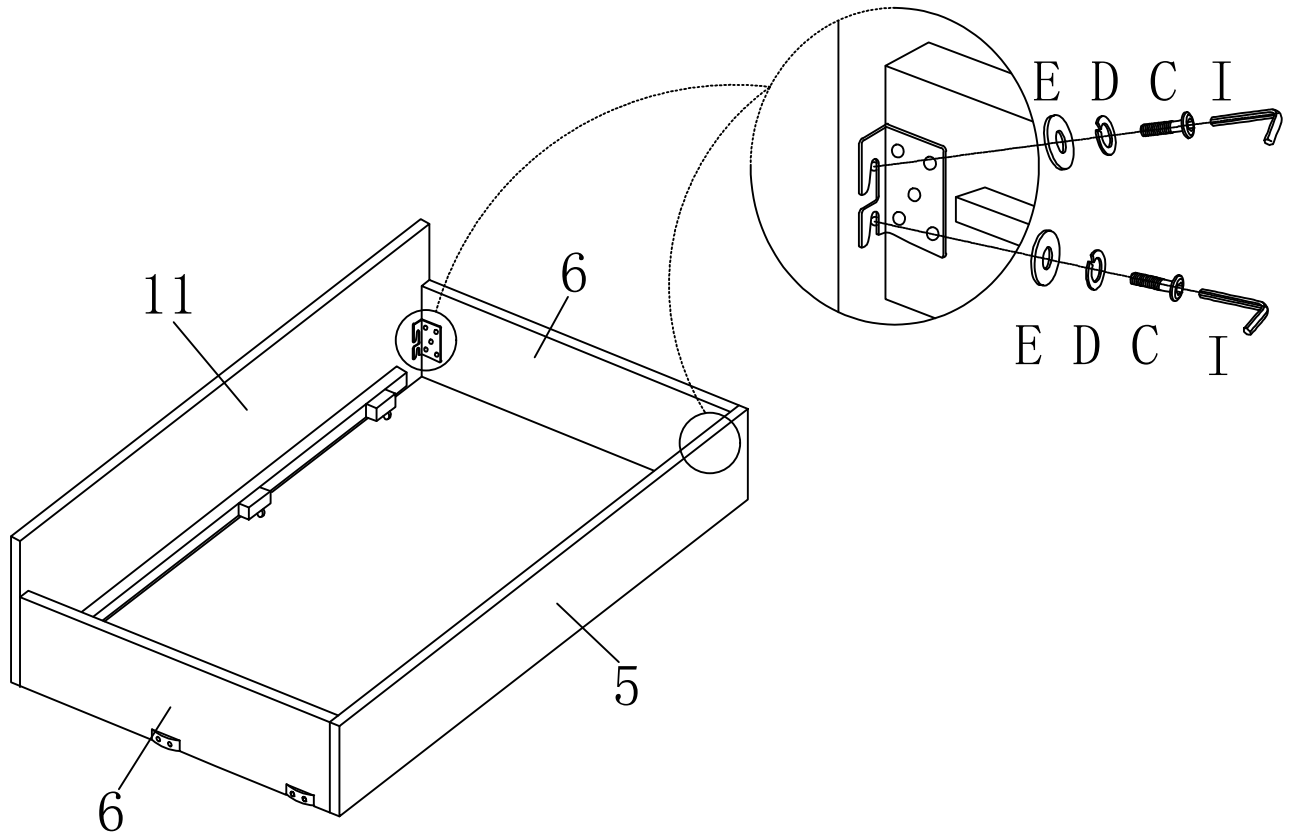


STEP 8

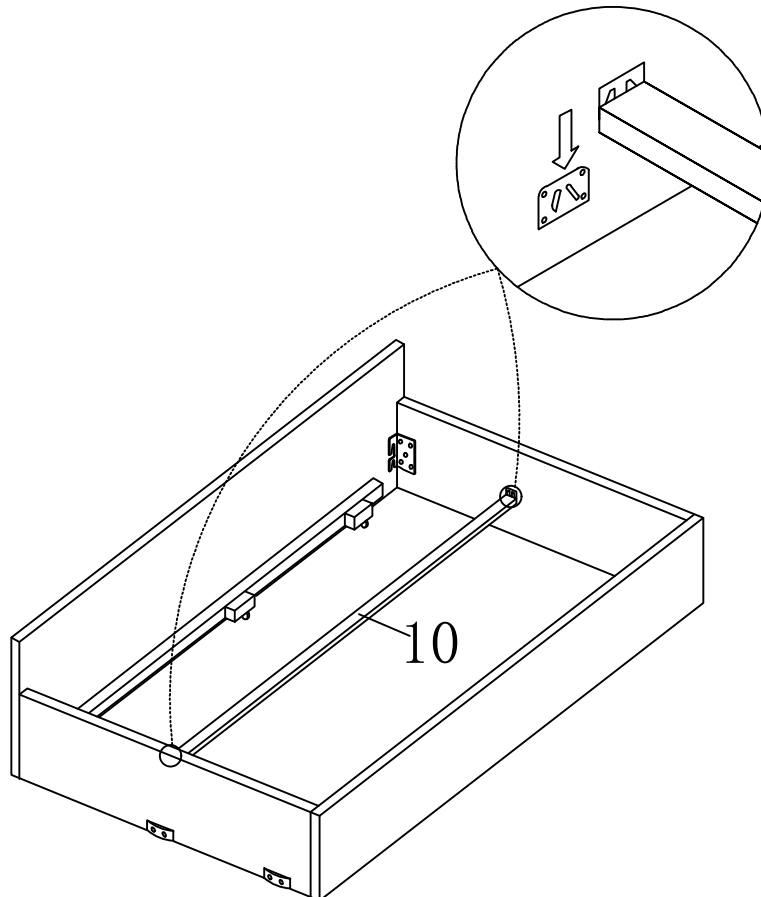


ASSEMBLY INSTRUCTION

STEP 9

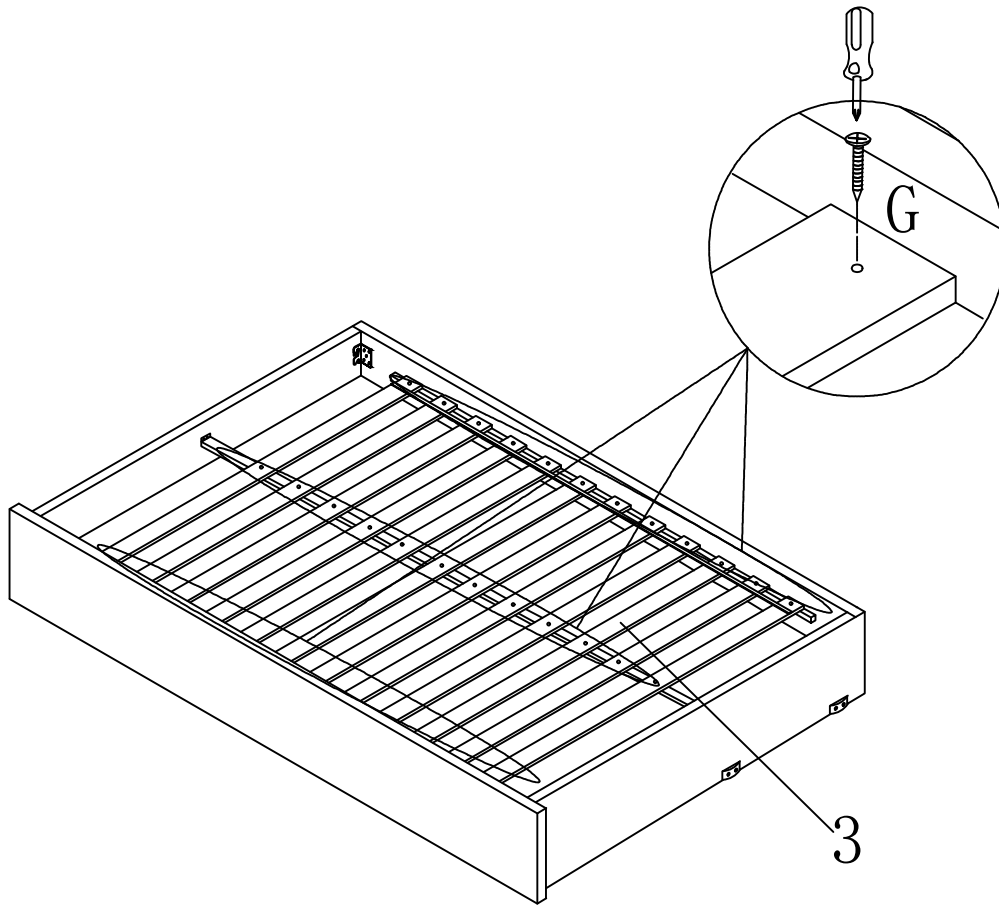


STEP 10

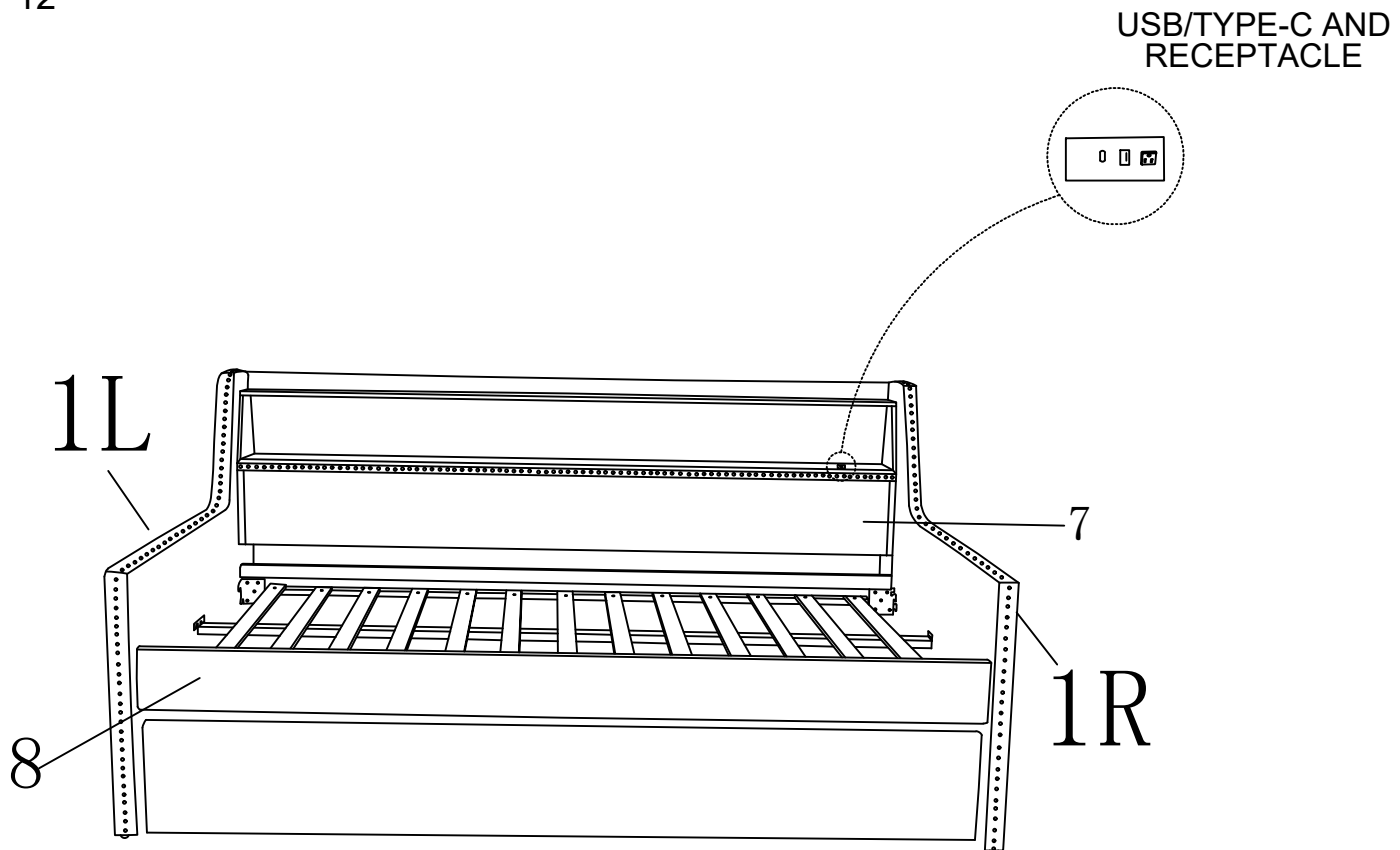


ASSEMBLY INSTRUCTION

STEP 11

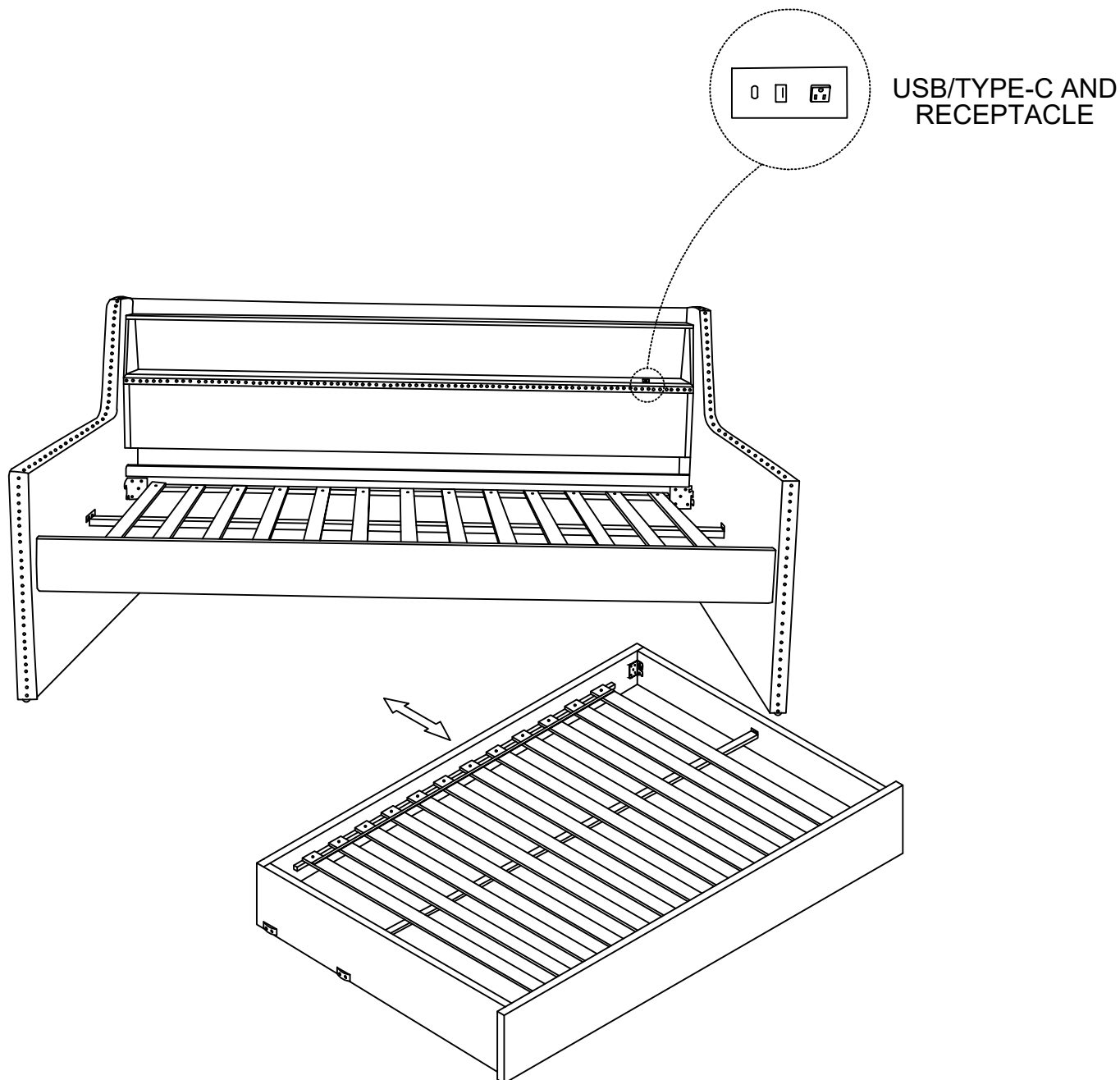


STEP 12



ASSEMBLY INSTRUCTION

Completed



CARE INSTRUCTION FOR POLYESTER:

In order to maintain the original appearance of your polyester furniture, please follow below simple care procedure:

- Avoid exposing furniture directly to sunlight or heating and air conditioning outlets. Exposure to sunlight or heating and air conditioning outlets will fade/damage polyester.
- Wipe gently with a damp soft cloth to remove dust, dirt and any grime build up.
- Hardware may loosen over time. Periodically check to make sure all connections are tight. Re-tighten if necessary