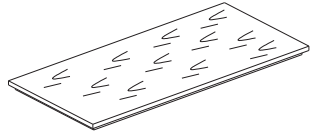


ASSEMBLY INSTRUCTION

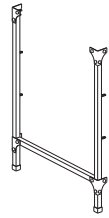
5099-22 COUNTER HEIGHT WRITING DESK

A



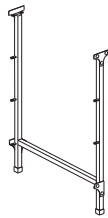
Desk Top
1 pc

B



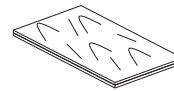
Leg Frame
2 pcs

C





Center leg Frame
2 pcs

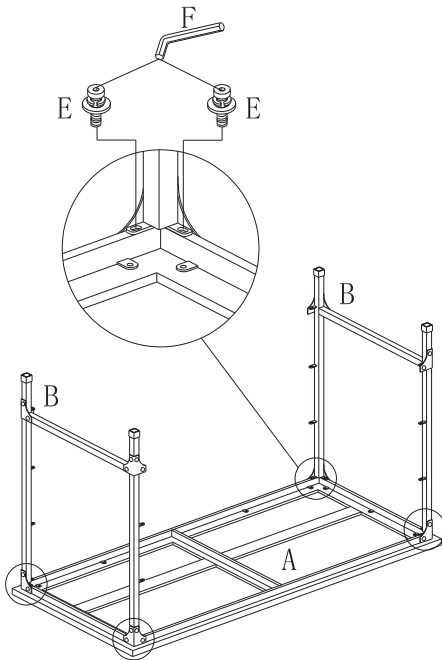
D



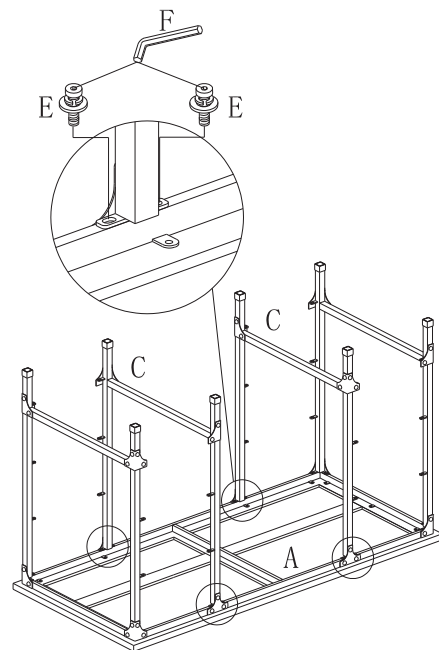
Shelf
6 pcs

HARDARE LIST				
E		Bolt with Lock Washer and Flat Washer	1/4"X15mm	40pcs
F		L-Allen Key	4mm	1pc

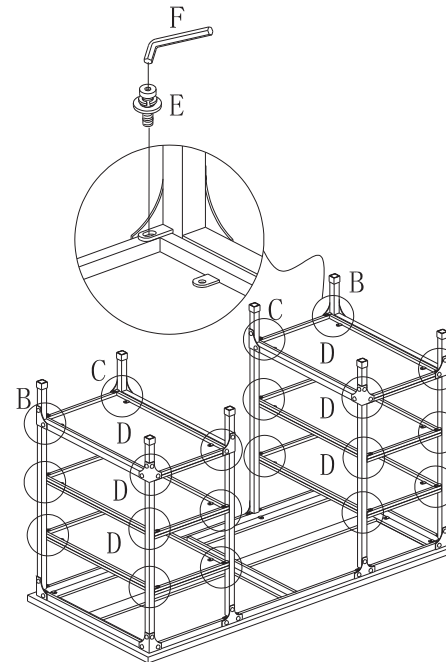
STEP 1



STEP 2



STEP 3



COMPLETED

