

ASSEMBLY INSTRUCTION



GROUP NO.: 5877 CK STORAGE BED

ITEM NO.: 5877KBE-1 / 5877KBR-1 / 5877KGY-1 EK / CK HEADBOARD

5877K-2DW EK / CK STORAGE DRAWER

5877KBE-3CK / 5877KBR-3CK / 5877KGY-3CK CK FOOTBOARD & SIDE RAILS, SLATS

Thank you for purchasing this product. Please take time to read and follow the instructions below. Check that you have all parts and hardware before assembly. Parts apparently missing are often found in the packing materials. If you do not have all the parts listed, have your dealer contact us and they be sent to you immediately.

! It is recommended to install protective pads under all legs and supports to avoid damage or scratches when placing furniture on a wood floor or other hard surface, and to limit indentation and prevent discoloration if placing on carpet.

! Hardware may loosen over time. Periodically check to make sure all connections are tight. Re-tighten if necessary

PARTS LIST			
NO.	DESCRIPTION	SKETCH	QTY
A	Headboard		1 PC
B	Footboard		1 PC
C	Side Rail - L & R		2 PCS
D	Center Slat Support		1 PC
E	Slat Roll 13pcs/set		1 SET
F	Bun Foot		2 PCS
G	Support Leg (267mmL)		4 PCS
H	Support Leg (70mmL)		2 PCS
I	Support Leg (51mmL)		2 PCS
J	Tail-Drawer Frame		1 PC
K	Cap Rail		2 PCS

HARDWARE LIST				
NO.	DESCRIPTION	SKETCH	SIZE	QTY
1	Allen Bolt		Ø1/4" x 55mm	2 PCS
2	Allen Bolt		Ø1/4" x 38mm	8 PCS
3	Allen Bolt		Ø1/4" x 32mm	13 PCS
4	Allen Bolt		Ø1/4" x 15mm	4 PCS
5	Full -Thread Bolt		Ø5/16" x 80mm	8 PCS
6	Curve Washer			8 PCS
7	Hex Nut			8 PCS
8	Spring Washer		Ø1/4"	33 PCS
9	Flat Washer		Ø1/4" x 19mm	23 PCS
10	Screw		#4 x 30mm	26 PCS
11	Screw		#4 x 20mm	2 PCS
12	Wood Dowel			2 PCS
13	Castor			1 PC
14	Allen Key		4 x 60mm	1 PC
15	Open Wrench			1 PC
16	Plastic Cap			4 PCS
17	Allen Bolt		Ø1/4" x 45mm	10 PCS

*ABOVE HARDWARE ARE PACKED IN 5877K-2DW/5877KBE-3CK / 5877KBR-3CK / 5877KGY-3CK FOR ASSEMBLY

ASSEMBLY INSTRUCTION



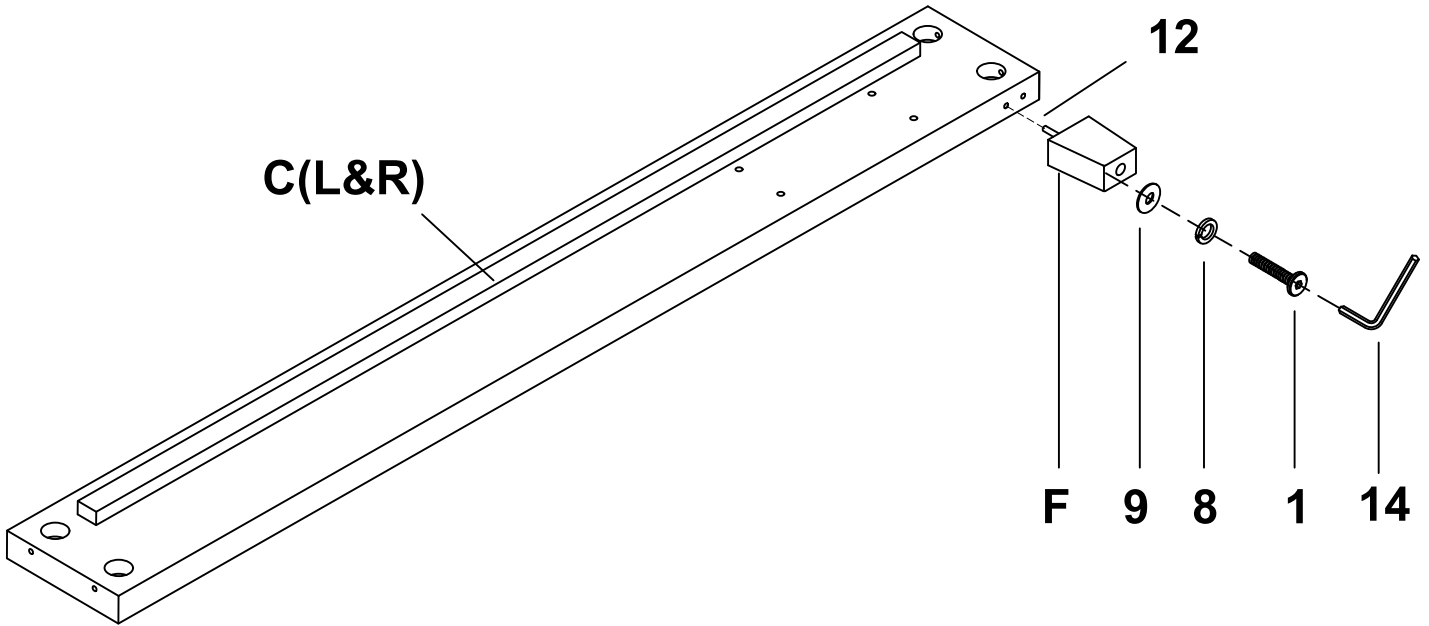
GROUP NO.: 5877 CK SOTRAGE BED

ITEM NO.: 5877KBE-1 / 5877KBR-1 / 5877KGY-1 EK / CK HEADBOARD

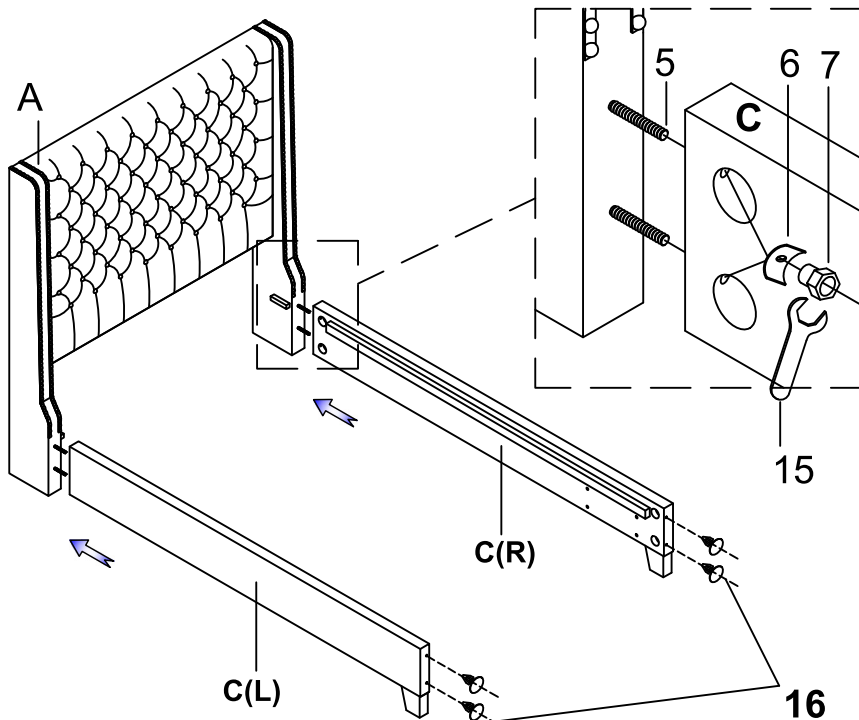
5877K-2DW EK / CK STORAGE DRAWER

5877KBE-3CK / 5877KBR-3CK / 5877KGY-3CK CK FOOTBOARD & SIDE RAILS, SLATS

STEP 1:



STEP 2:



ASSEMBLY INSTRUCTION



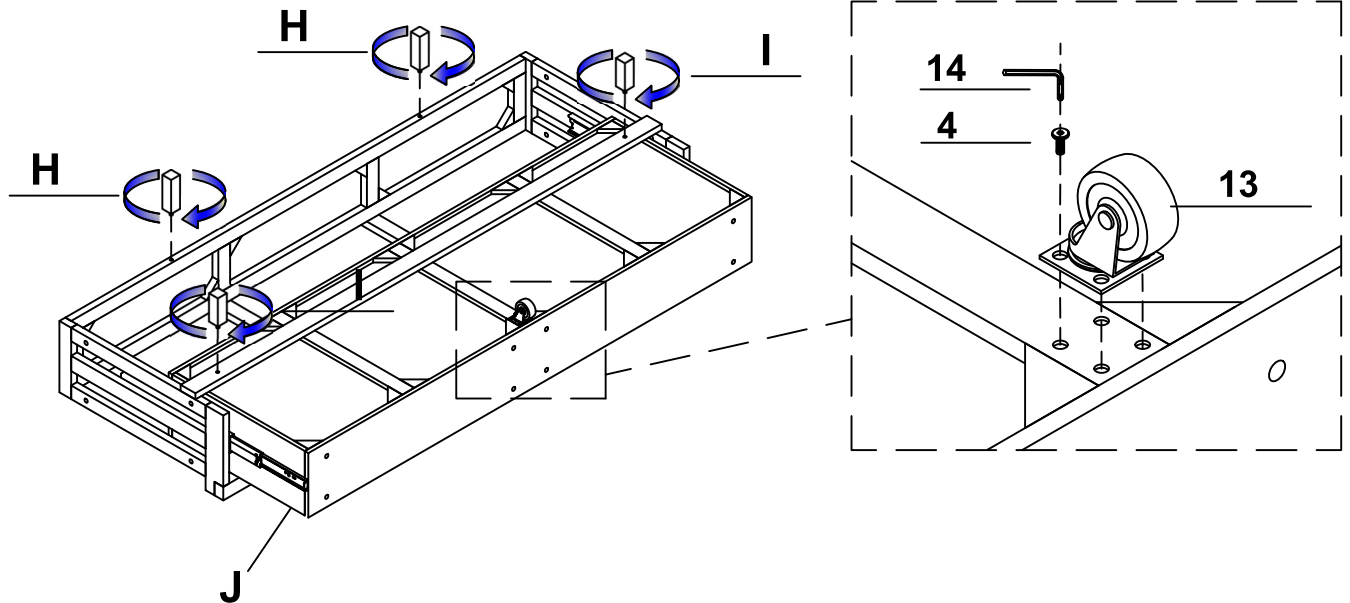
GROUP NO.: 5877 CK SOTRAGE BED

ITEM NO.: 5877KBE-1 / 5877KBR-1 / 5877KGY-1 EK / CK HEADBOARD

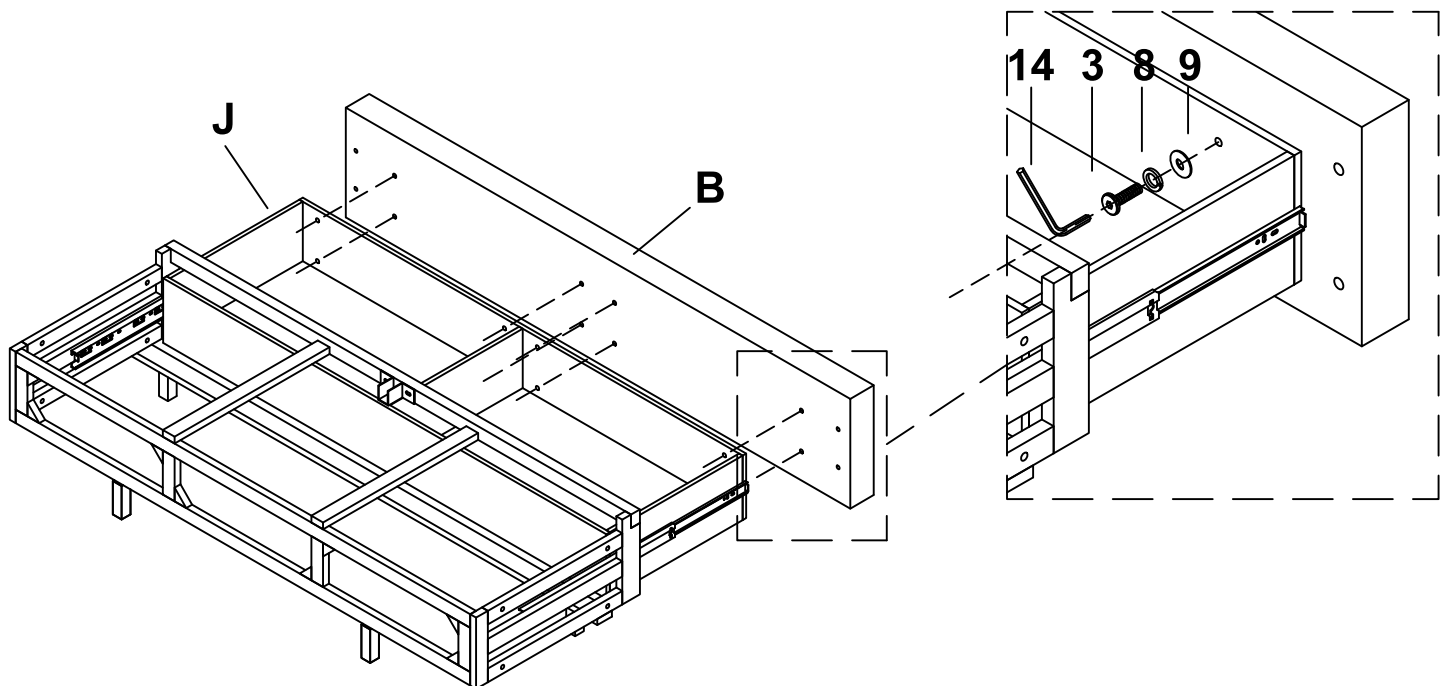
5877K-2DW EK / CK STORAGE DRAWER

5877KBE-3CK / 5877KBR-3CK / 5877KGY-3CK CK FOOTBOARD & SIDE RAILS, SLATS

STEP 3:



STEP 4:



ASSEMBLY INSTRUCTION



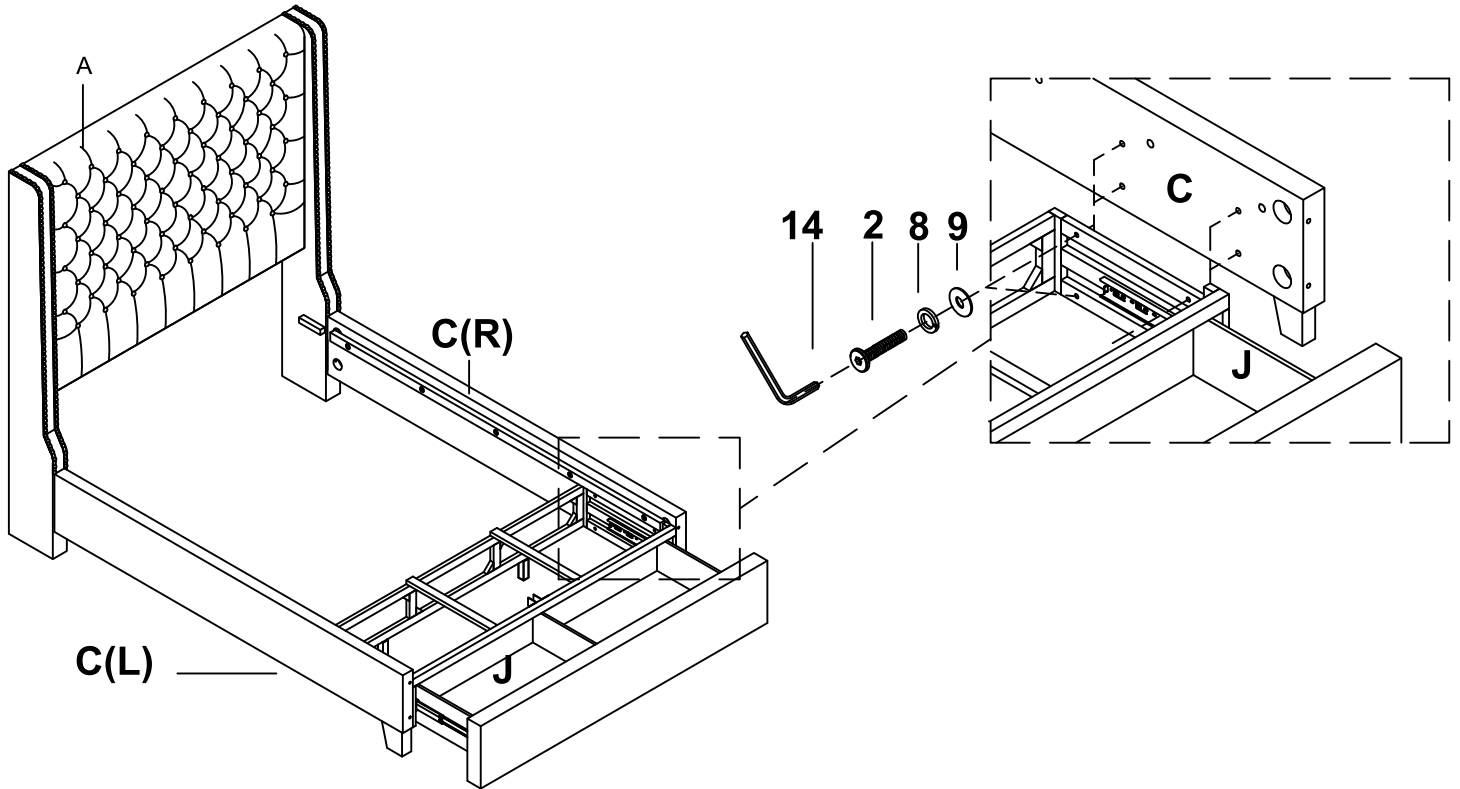
GROUP NO.: 5877 CK SOTRAGE BED

ITEM NO.: 5877KBE-1 / 5877KBR-1 / 5877KGY-1 EK / CK HEADBOARD

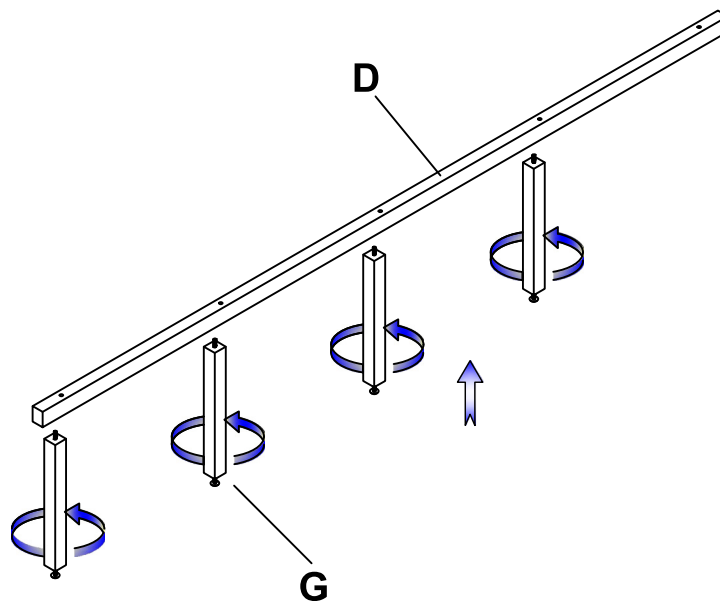
5877K-2DW EK / CK STORAGE DRAWER

5877KBE-3CK / 5877KBR-3CK / 5877KGY-3CK CK FOOTBOARD & SIDE RAILS, SLATS

STEP 5:



STEP 6:



ASSEMBLY INSTRUCTION



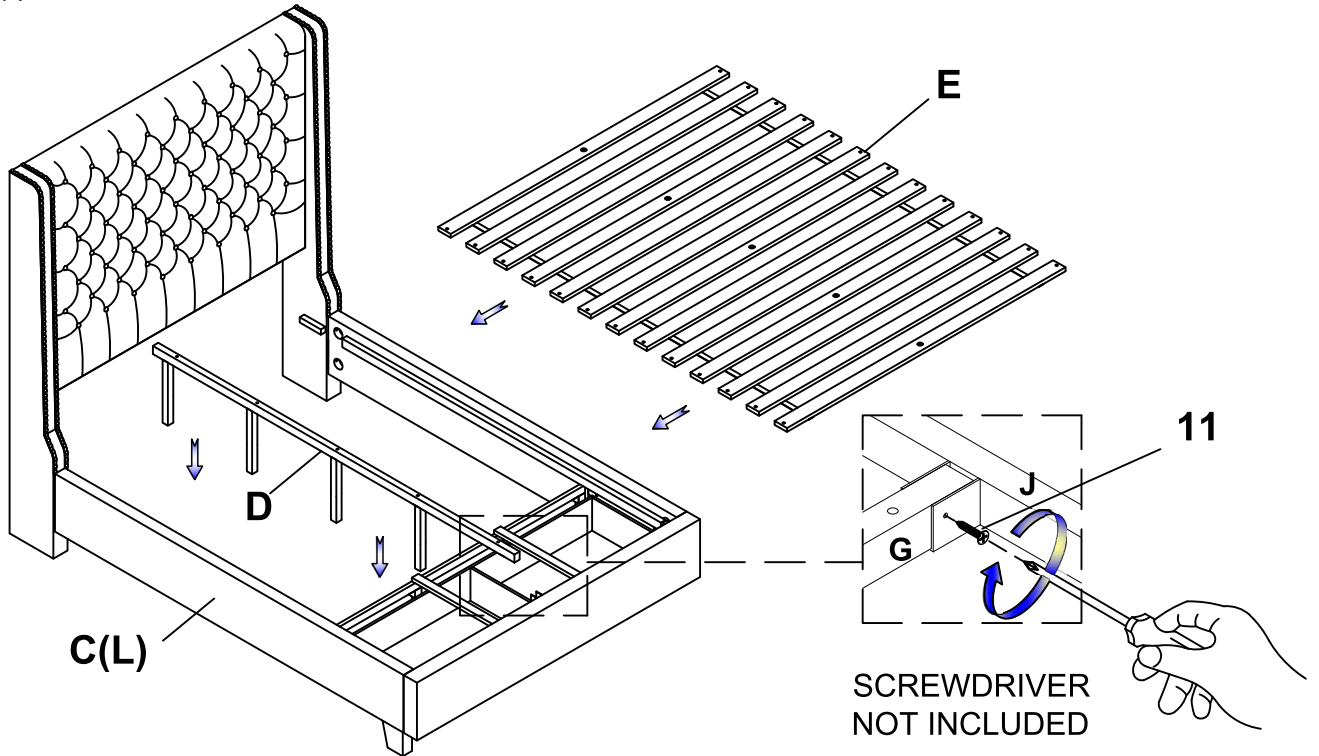
GROUP NO.: 5877 CK SOTRAGE BED

ITEM NO.: 5877KBE-1 / 5877KBR-1 / 5877KGY-1 EK / CK HEADBOARD

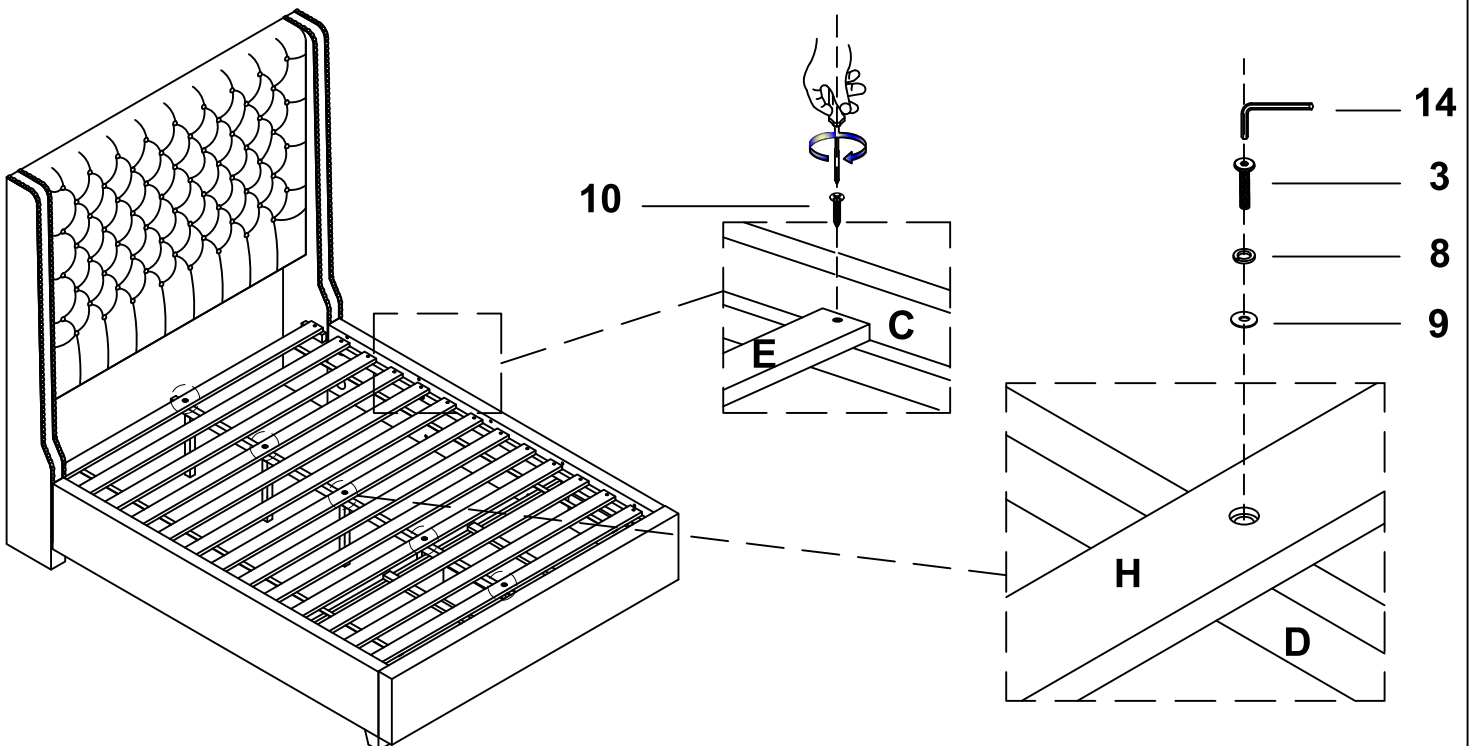
5877K-2DW EK / CK STORAGE DRAWER

5877KBE-3CK / 5877KBR-3CK / 5877KGY-3CK CK FOOTBOARD & SIDE RAILS, SLATS

STEP 7:



STEP 8:



ASSEMBLY INSTRUCTION



GROUP NO.: 5877 CK STORAGE BED

ITEM NO.: 5877KBE-1 / 5877KBR-1 / 5877KGY-1 EK / CK HEADBOARD

5877K-2DW EK / CK STORAGE DRAWER

5877KBE-3CK / 5877KBR-3CK / 5877KGY-3CK CK FOOTBOARD & SIDE RAILS, SLATS

STEP 9:

