



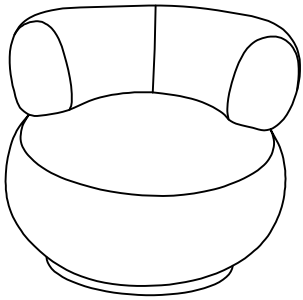
Assembly Instruction

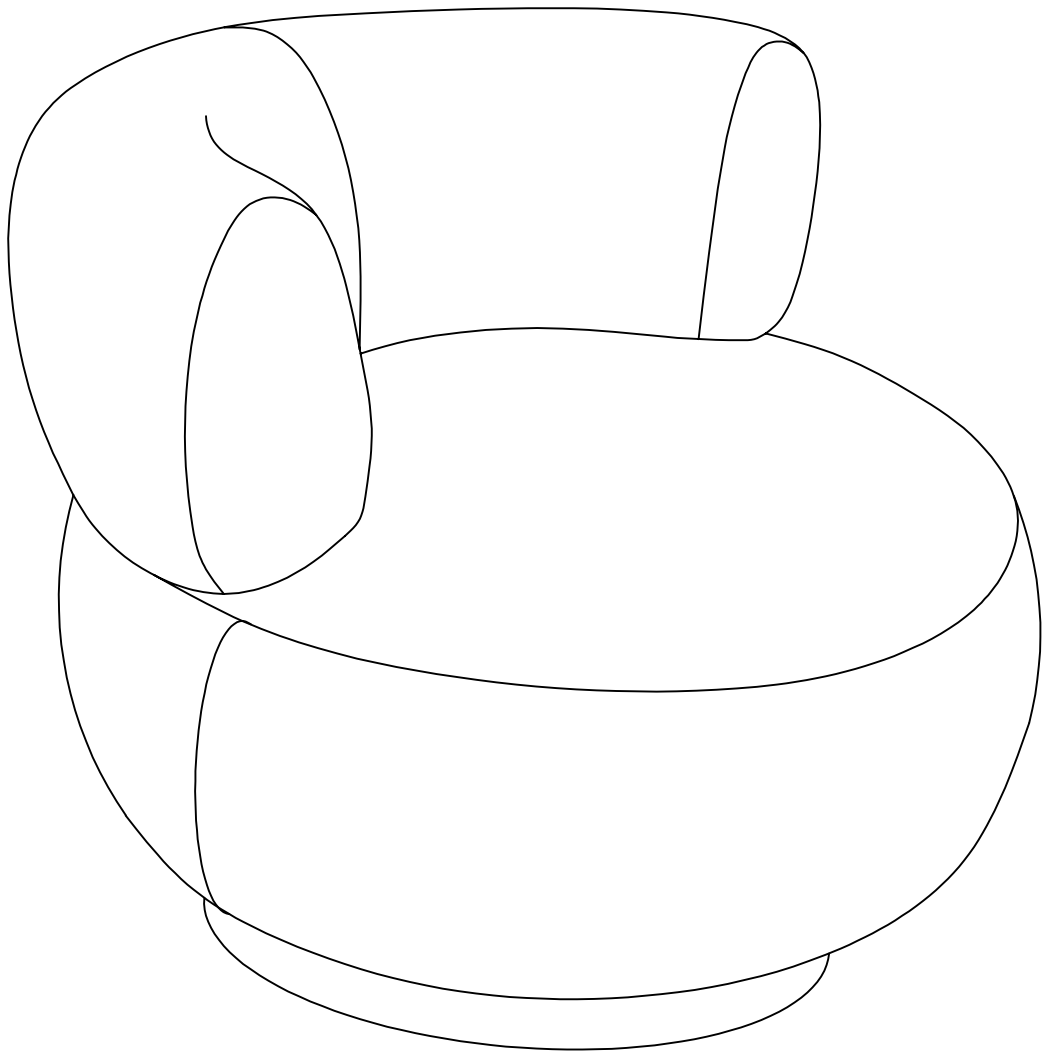
Swivel Chair

ITEM NO.: 8568WH-1

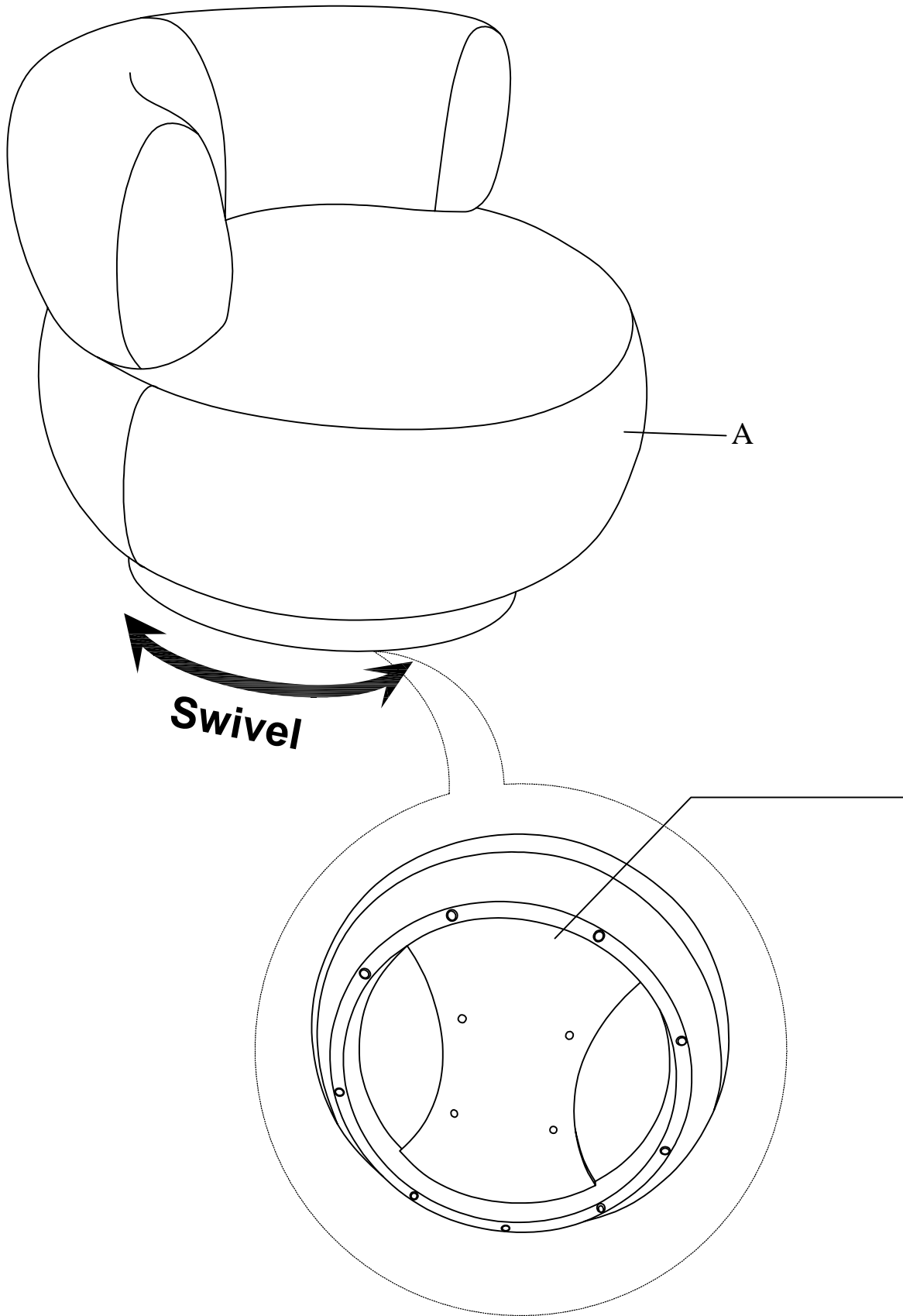
Note: Do not use power tools for assembly. Power tools increase the risk of over tightening which lead to splitting or cracking the wood.

Component list

No	Drawing	Qty	Description
A	 A simple line drawing of a swivel chair, viewed from a front-three-quarter perspective. The chair has a rounded, bucket-style seat and backrest, with two curved armrests on either side. The base is a simple circular shape representing the swivel mechanism.	1	Chair

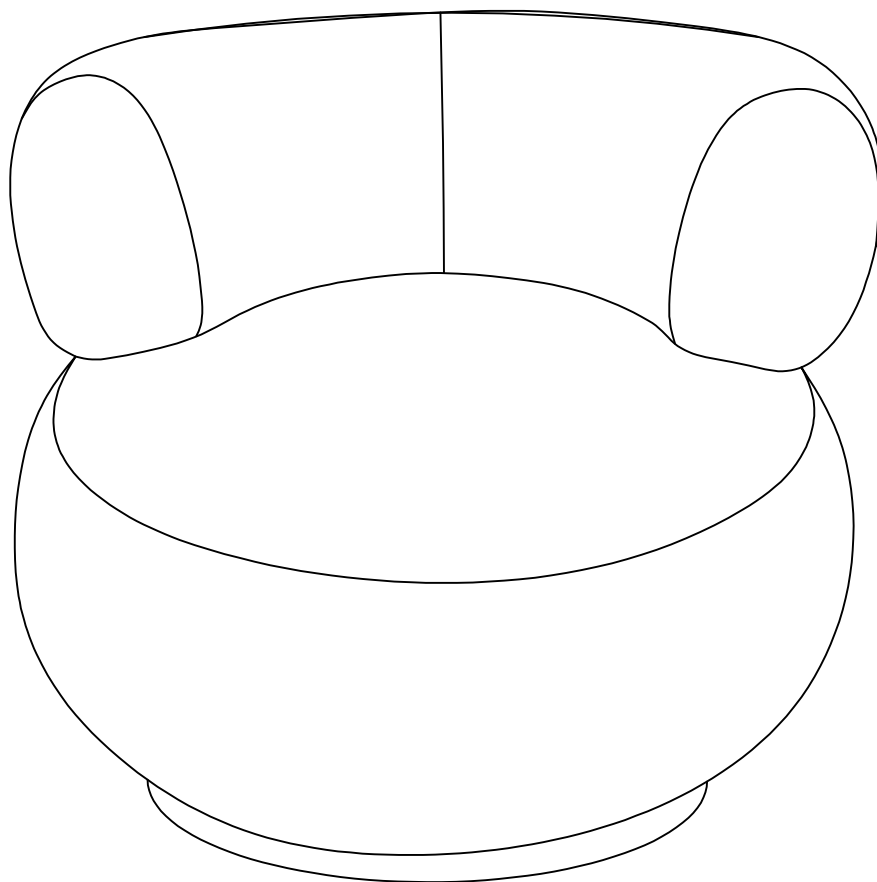


Step #1



Step #2

Assembly completed.



Care Instruction for Sherpa Furniture:

In order to maintain the original appearance of your sherpa, please follow below simple care procedures:

- Avoid exposing furniture directly to sunlight or heating and air conditioning outlets. Sunlight and/or exposure to heating and air conditioning outlets will fade/damage sherpa. Do not place your upholstered furniture too close to windows, radiators, or vents, and be sure to use windows, radiators, or vents.
- Vacuum or wipe with a soft cloth to remove dust.
- Hardware may loosen over time. Periodically check to make sure all connections are tight. Re-tighten if necessary.



For items use on wooden floor, hard surfaces or carpets, it is recommended to Install protective pads under all legs and supports to avoid/prevent from damages/scratches and discoloration.