



# Assembly Instruction

Love seat

ITEM NO.: 8568WH-2



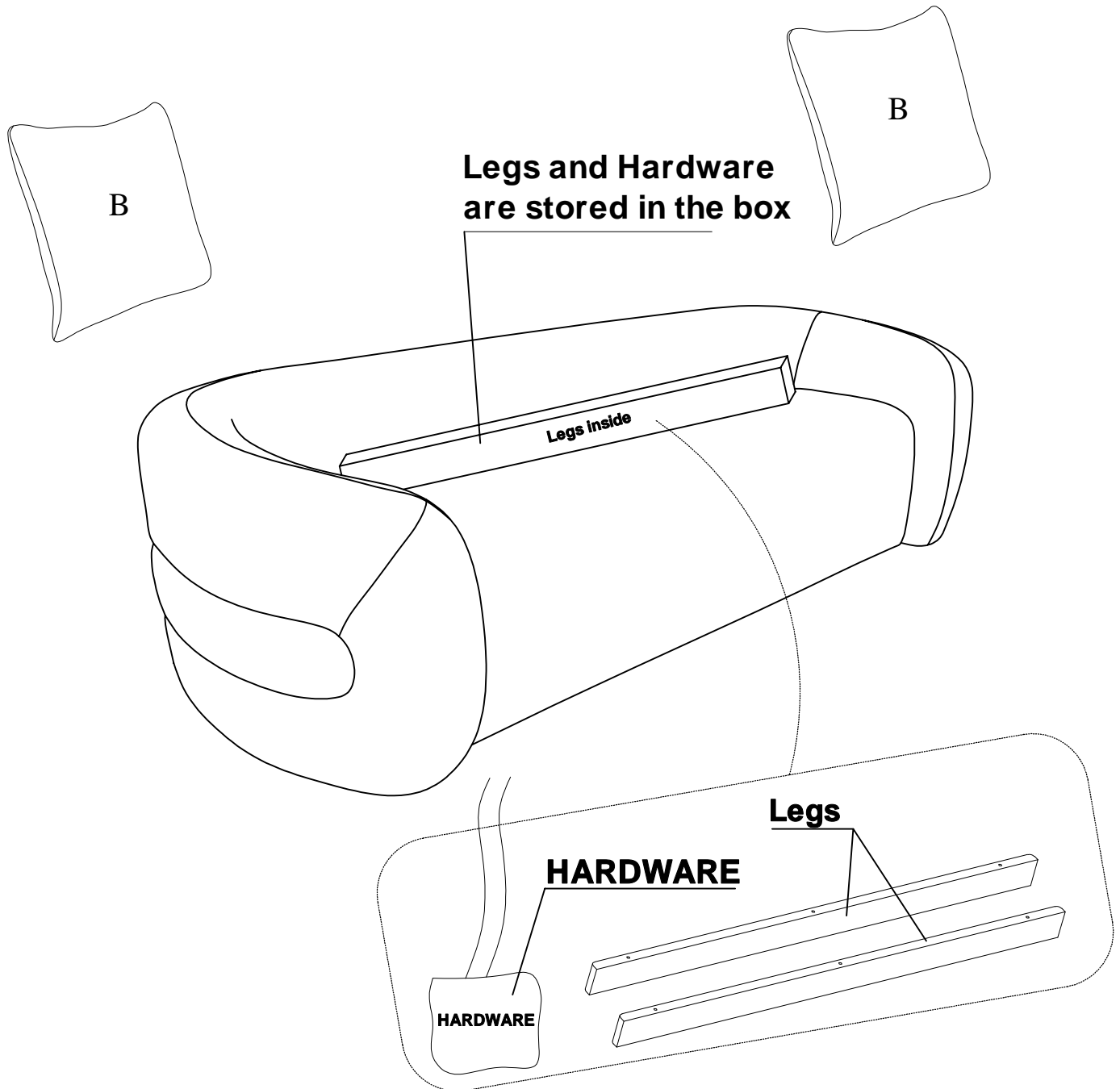
Legs & hardware are stored on top of the Love seat, please take out legs and hardware for assembly.

Note: Do not use power tools for assembly. Power tools increase the risk of over tightening which lead to splitting or cracking the wood.

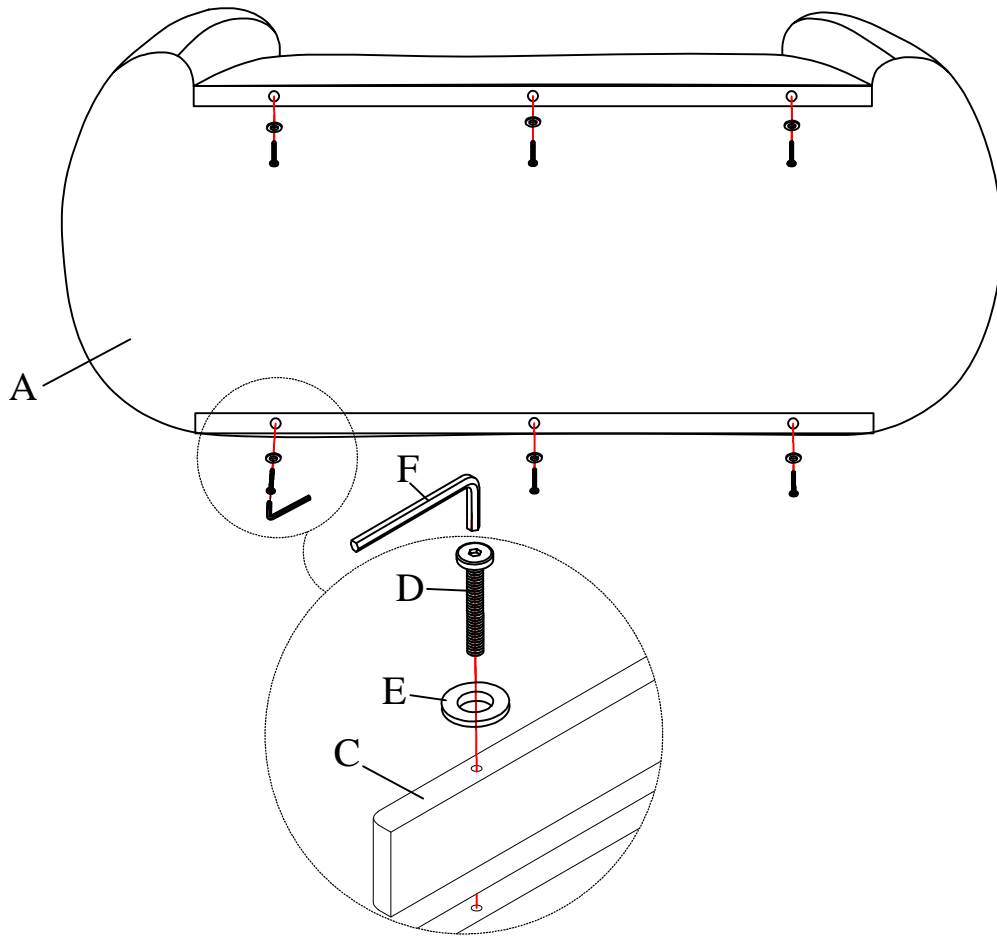
## Component list

| No | Drawing  | Qty | Description                     |
|----|--|-----|---------------------------------|
| A  | A simple line drawing of a love seat, showing its curved back and seat cushions. | 1   | Love seat                       |
| B  | A simple line drawing of a square pillow.  | 2   | Square Pillows<br>(18"*18")     |
| C  | A simple line drawing of a rectangular wooden leg.                               | 2   | Wooden Legs<br>(1140*75*25mm)   |
| D  | A simple line drawing of a bolt with a hexagonal head.                           | 6   | Bolt<br>(1/4"*70mm)             |
| E  | A simple line drawing of a flat washer with a central hole.                      | 6   | Flat washer<br>(1/4"*Ø16*1.5mm) |
| F  | A simple line drawing of an Allen key (hex key).                                 | 1   | Allen key<br>(M4*59mm)          |

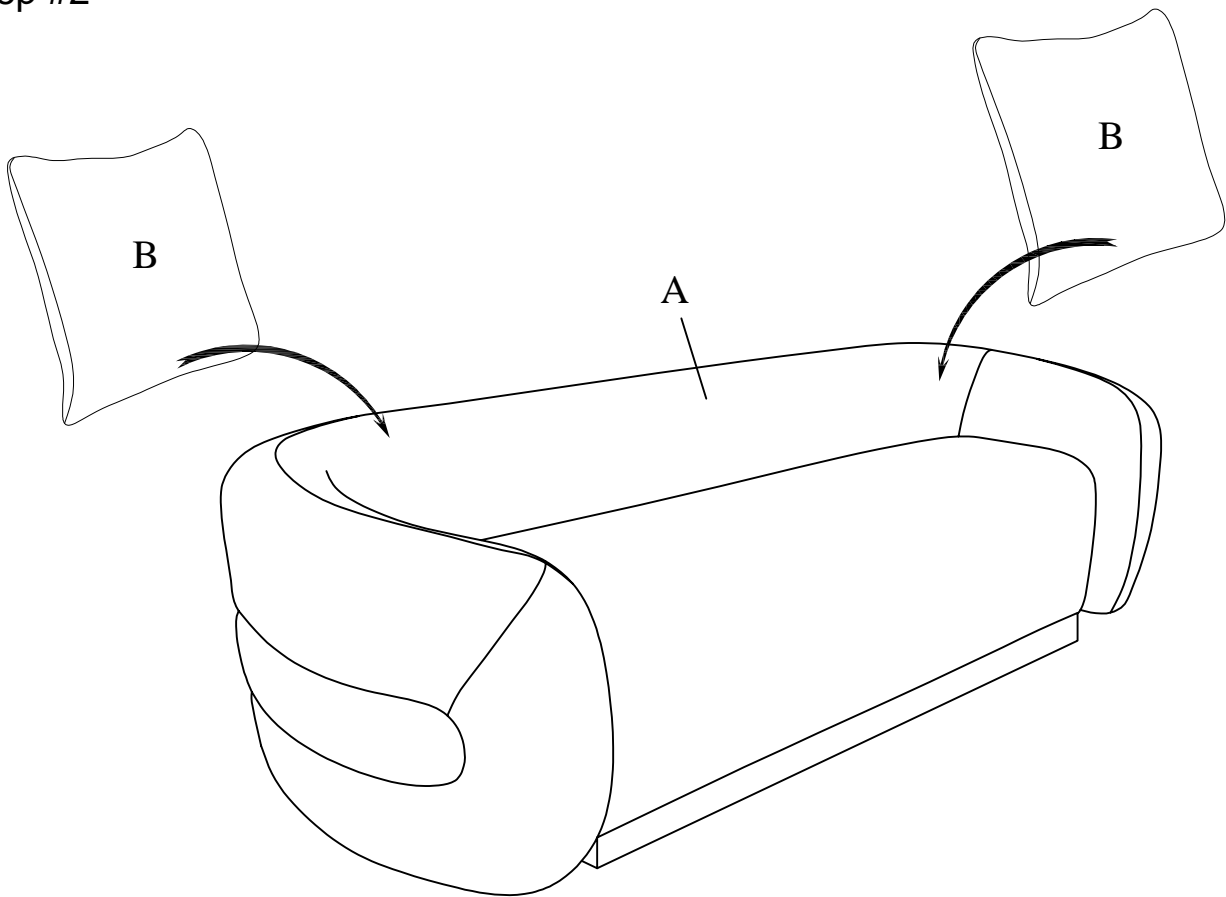
THE PARTS ARE LOCATED INSIDE THE BOX AS BELOW:



Step #1

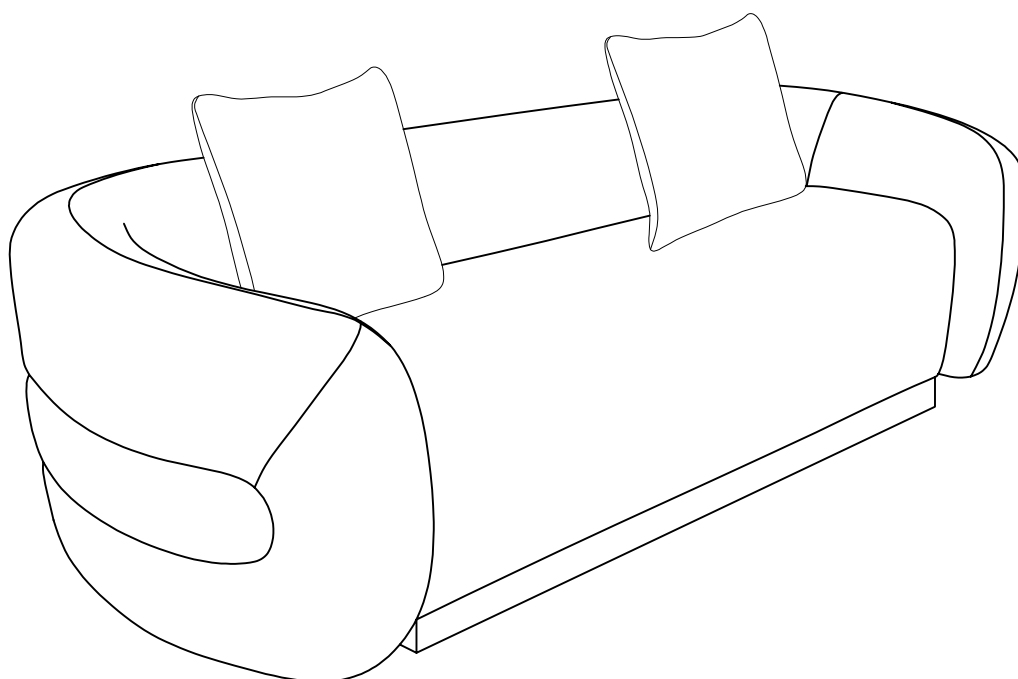


Step #2



### Step #3

Assembly completed.



## Care Instruction for Sherpa Furniture:

In order to maintain the original appearance of your sherpa, please follow below simple care procedures:

- Avoid exposing furniture directly to sunlight or heating and air conditioning outlets. Sunlight and/or exposure to heating and air conditioning outlets will fade/damage sherpa. Do not place your upholstered furniture too close to windows, radiators, or vents, and be sure to use windows, radiators, or vents.
- Vacuum or wipe with a soft cloth to remove dust.
- Hardware may loosen over time. Periodically check to make sure all connections are tight. Re-tighten if necessary.



For items use on wooden floor, hard surfaces or carpets, it is recommended to Install protective pads under all legs and supports to avoid/prevent from damages/scratches and discoloration.