



Assembly Instruction

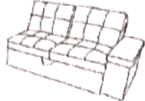
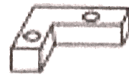
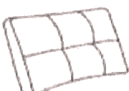


ITEM NO.: 9390DG-2R:
 (1/2)Right Side 2-Seater with Pull-out Bed And Storage Arm



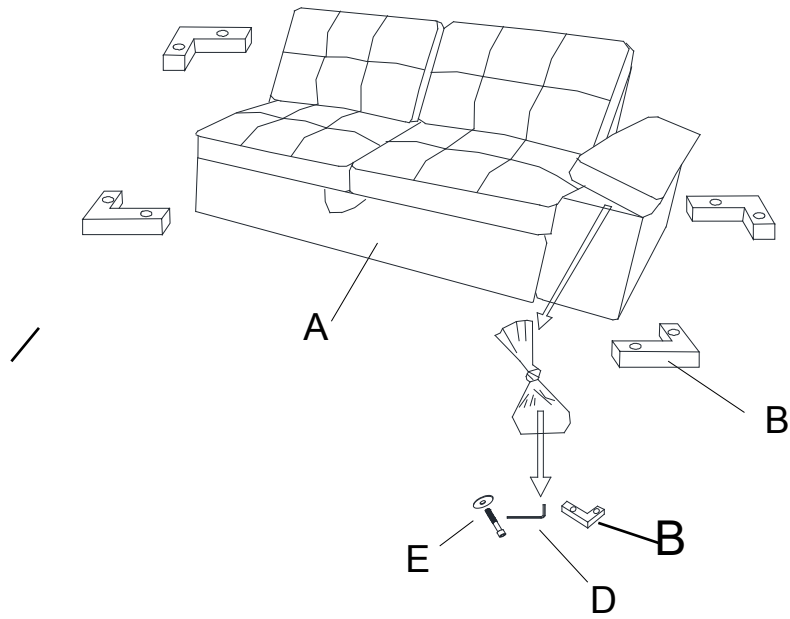
Legs and hardware are stored in the 2-seater arm storage, please take out for assembly.

Note: Do not use power tools for assembly. Power tools increase the risk of over tightening which lead to spliting or cracking the wood.

Component list

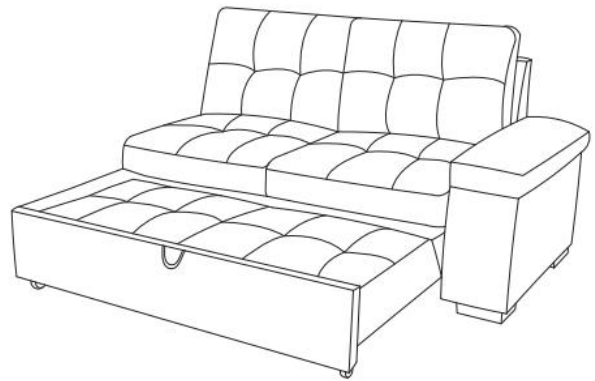
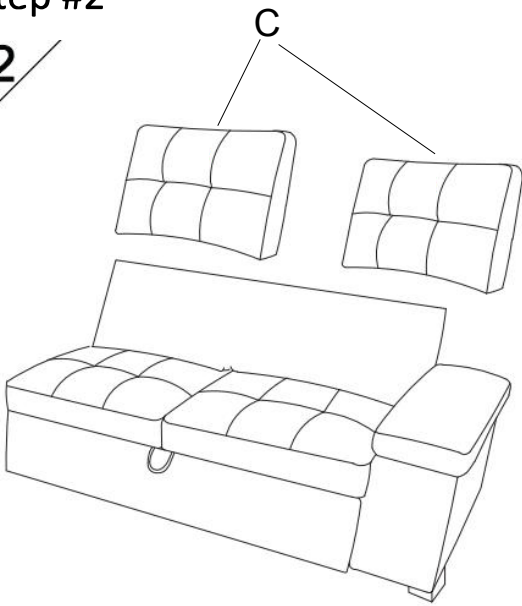
No	Drawing	Qty	Description
A		1	SEAT
B		4	WOODEN LEGS 1.96"
C		2	BACK CUSHION
D		1	WRENCH M6
E		8	SCREW M8"&WASHER M8"

Step #1

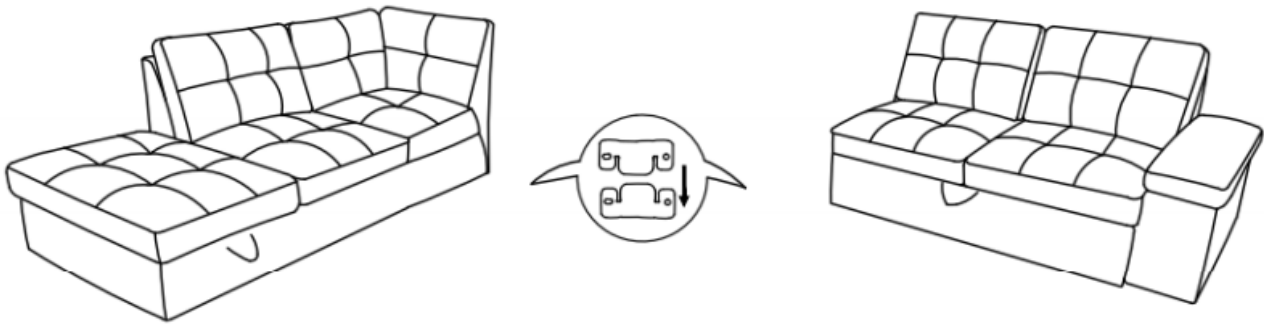


Step #2

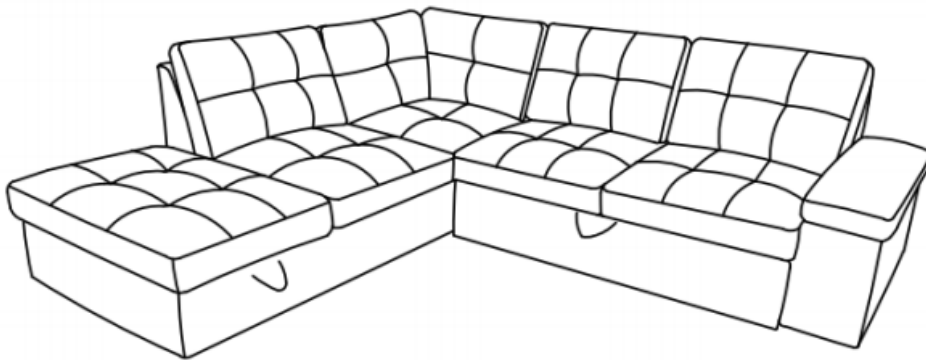
2 /



Step #3



Step #4



Care Instruction for Polyester Furniture

In order to maintain the original appearance of your Polyester Furniture please follow below simple care procedures:

- Avoid exposing furniture directly to sunlight or heating and air conditioning outlets. Sunlight and or exposure to heating and air conditioning outlets will fade/damage
- Vacuum or wipe with a soft cloth to remove dust.



For items use on wooden floor, hard surfaces or carpets, it is recommended to Install protective pads under all legs and supports to avoid/prevent from damages/scratches and discoloration.