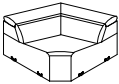



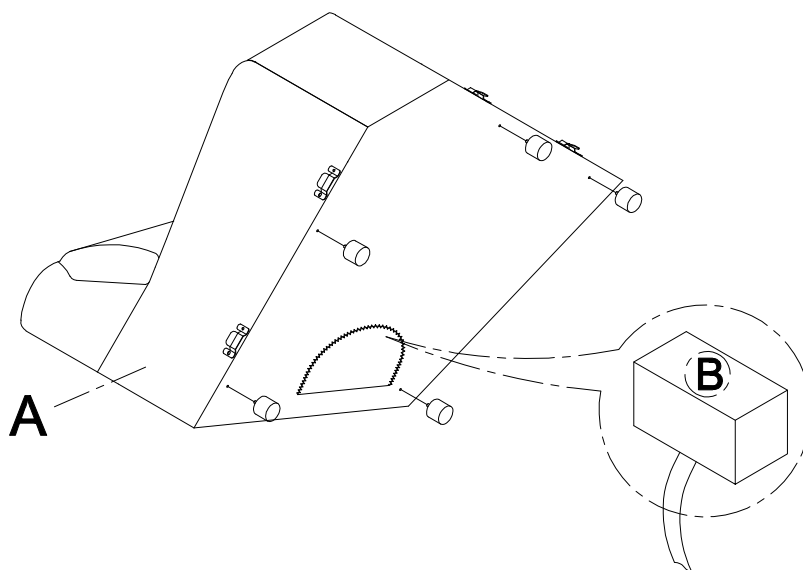
ASSEMBLY INSTRUCTION

ITEM NO: 9455CLD-CR
(5/6)Corner Seat

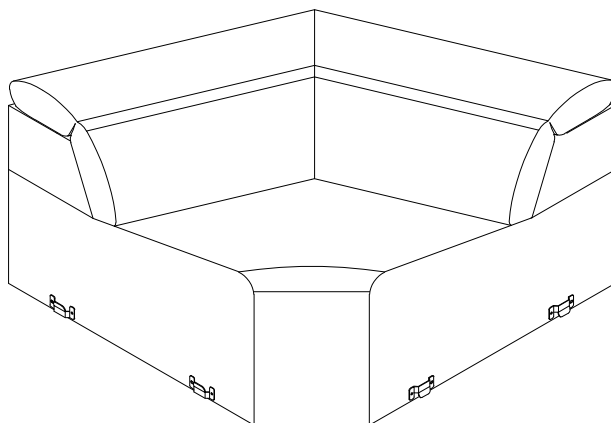
NO.	PARTS LIST	QTY	DESCRIPTION
A		1	CORNER SEAT

NO.	PARTS LIST	QTY	DESCRIPTION
B	 Ø60*50MM	5	PLASTIC LEG

STEP 1 : Take out legs from bottom and assemble legs.



STEP 2 (Completed) :



CARE INTRUCTION CHENILLE FURNITURE

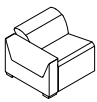
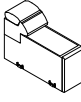
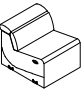
In order to maintain the original appearance of your chenille furniture, please follow below simple care procedures.

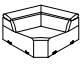
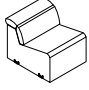
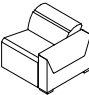
°Avoid exposing furniture directly to sunlight or heating and air conditioning outlets. Exposure to sunlight or heating and air conditioning outlets will fade/damage chenille .

°Wipe gently with a damp soft cloth to remove dust , dirt and any grime build up.

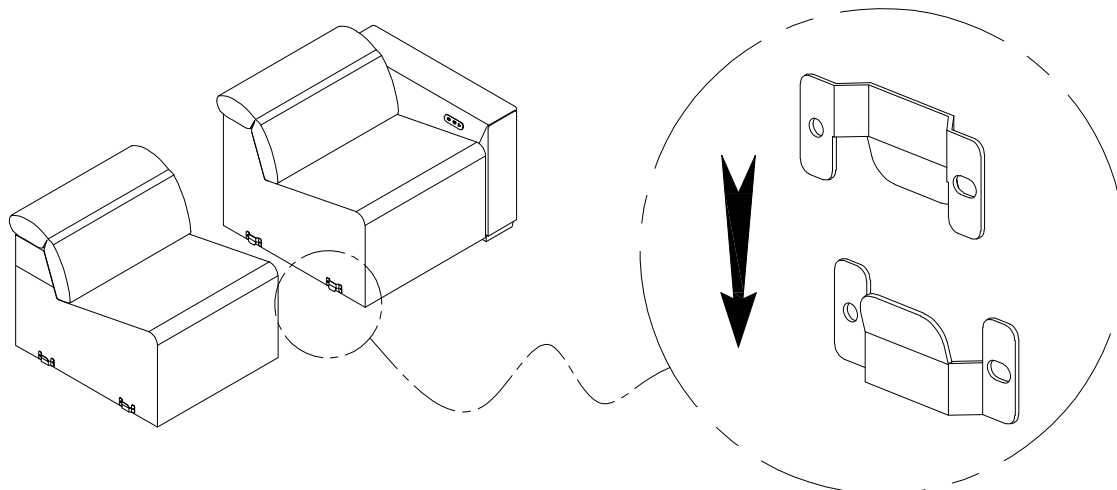
ASSEMBLY INSTRUCTION

ITEM NO: 9455CLD

NO.	PARTS LIST	QTY	DESCRIPTION
A		1	9455CLD-LRPWH
B		1	9455CLD-CN
C		1	9455CLD-ARPWH

NO.	PARTS LIST	QTY	DESCRIPTION
D		1	9455CLD-CR
E		1	9455CLD-AC
F		1	9455CLD-RRPWH

STEP 1 : Assemble each seat.



STEP 2 (Completed) :

