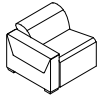



ASSEMBLY INSTRUCTION

ITEM NO: 9455CLD-LRPWH

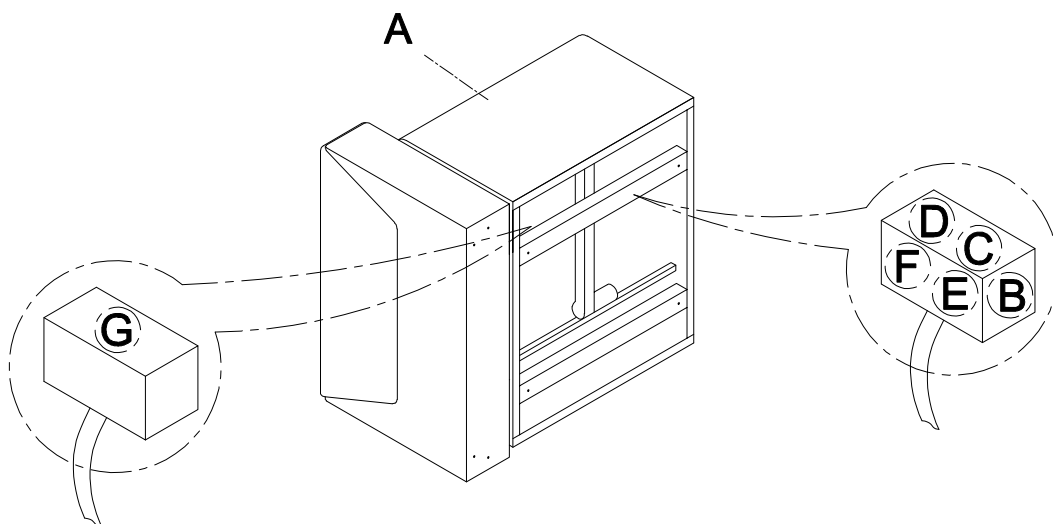
(1/6)Power Left Side Reclining Chair with Power Headrest, Charging Ports.

LEGS AND HARDWARE ARE STORED IN THE BOTTOM OF THE SEAT, PLEASE TAKE OUT FOR ASSEMBLY.

| NO. | PARTS LIST | QTY | DESCRIPTION |
|-----|---|-----|----------------|
| A |  | 1 | LSF-RECLINER |
| G |  | 1 | PLUG WITH WIRE |

| NO. | PARTS LIST | QTY | DESCRIPTION |
|-----|--|-----|------------------|
| B |  Ø60*50MM | 4 | PLASTIC LEG |
| C |  183*130*45MM | 1 | FRONT WOODEN LEG |
| D |  183*130*45MM | 1 | REAR WOODEN LEG |
| E |  M8*60MM | 4 | ALLEN BOLT |
| F |  M5*100*38mm | 1 | ALLEN KEY |

STEP 1 : Take out leg box and hardware box for assembly.



CARE INTRUCTION CHENILLE FURNITURE

In order to maintain the original appearance of your chenille furniture, please follow below simple care procedures.

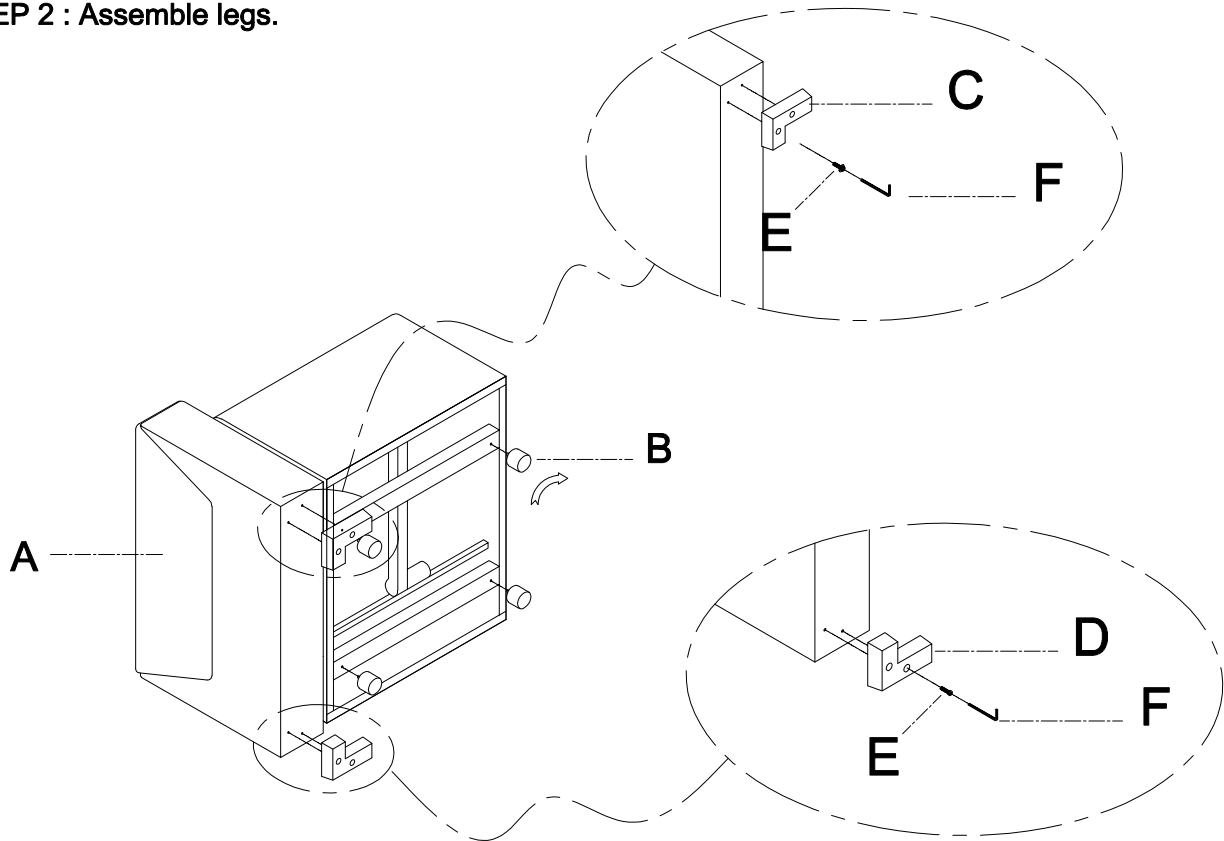
*Avoid exposing furniture directly to sunlight or heating and air conditioning outlets. Exposure to sunlight or heating and air conditioning outlets will fade/damage chenille .

*Wipe gently with a damp soft cloth to remove dust , dirt and any grime build up.

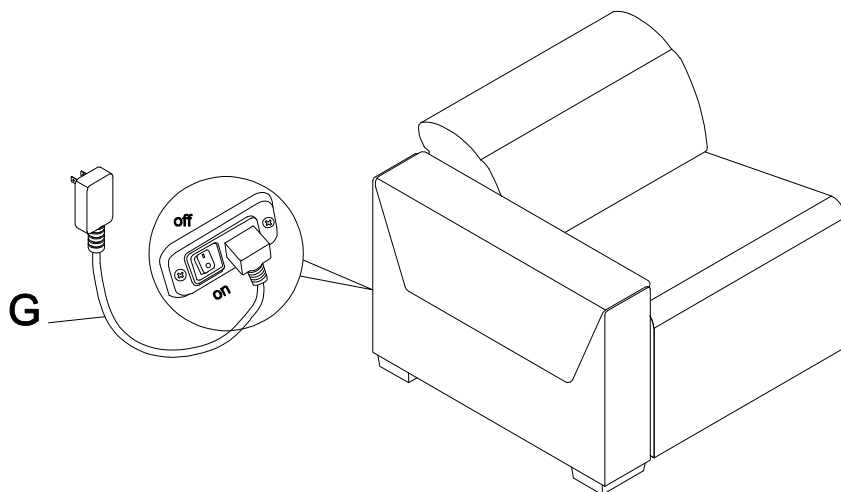
ASSEMBLY INSTRUCTION

ITEM NO: 9455CLD-LRPWH

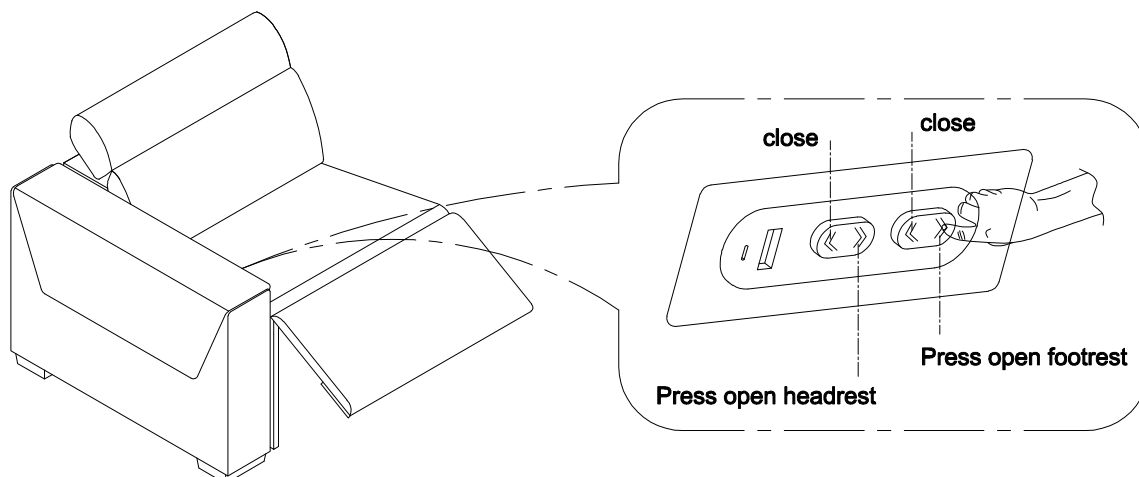
STEP 2 : Assemble legs.



STEP 3 (Completed) :



STEP 4:



● **CARE INSTRUCTION FOR POLYESTER:**

In order to maintain the original appearance of your polyester furniture, please follow below simple care procedure.

- Avoid exposing furniture directly to sunlight or heating and air conditioning outlets. Exposure to sunlight or heating and air conditioning outlets will fade/damage polyester.
- Wipe gently with a damp soft cloth to remove dust, dirt and any grime build up.

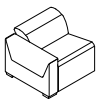
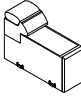
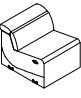


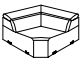
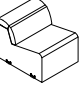
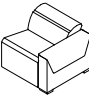
WARNING

- Disconnect the electrical plug from the wall outlet before cleaning, moving, serving or when not in use for an extended period of time.
- Plug directly into a wall outlet. Do not use an extension cord or adaptor.
- Check the condition of the power transformers, electrical cords, plugs and connectors monthly. Keep the power adaptor and electrical cords away from heat sources. Never operate the unit with a damaged power adaptor, electrical cord, plug or connector.
- Before moving the product, please disconnect the electrical plug from the wall outlet and secure the mechanism to prevent unexpected opening or movement. Never move the product by the mechanism, legrest, or reclining back.
- Do not attempt to disassemble or service the adaptor or motor. No serviceable parts are inside.
- Do not allow electrical cord to be pinched between moving parts or between the frame and the floor. Do not place cord under carpet or in location where it could become worn.
- Unplug the power cord immediately if you detect strange odors or fumes coming from the chair.

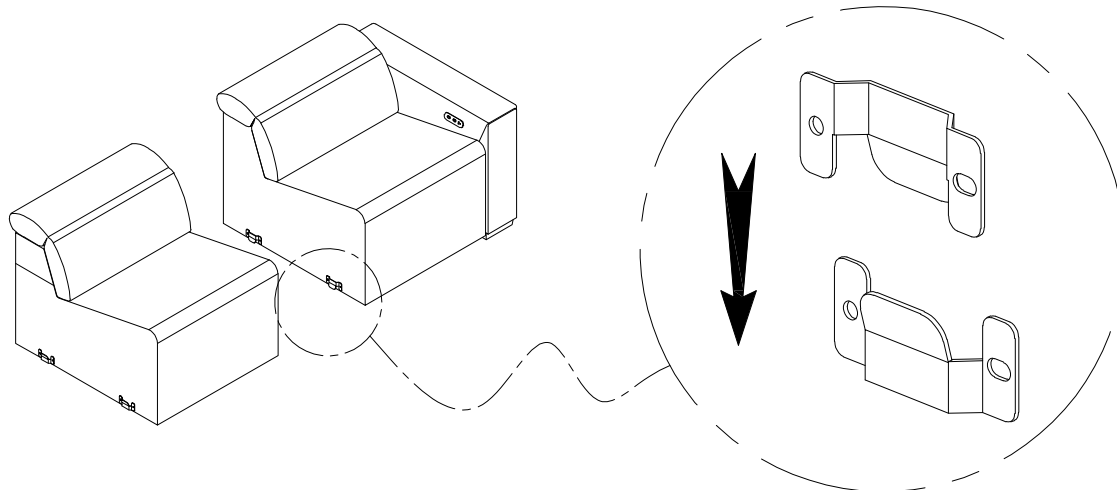
ASSEMBLY INSTRUCTION

ITEM NO: 9455CLD

| NO. | PARTS LIST | QTY | DESCRIPTION |
|-----|---|-----|---------------|
| A |  | 1 | 9455CLD-LRPWH |
| B |  | 1 | 9455CLD-CN |
| C |  | 1 | 9455CLD-ARPWH |

| NO. | PARTS LIST | QTY | DESCRIPTION |
|-----|--|-----|---------------|
| D |  | 1 | 9455CLD-CR |
| E |  | 1 | 9455CLD-AC |
| F |  | 1 | 9455CLD-RRPWH |

STEP 1 : Assemble each seat.



STEP 2 (Completed) :

