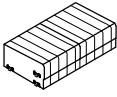
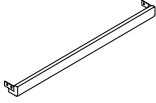
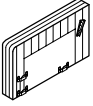

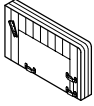
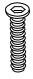





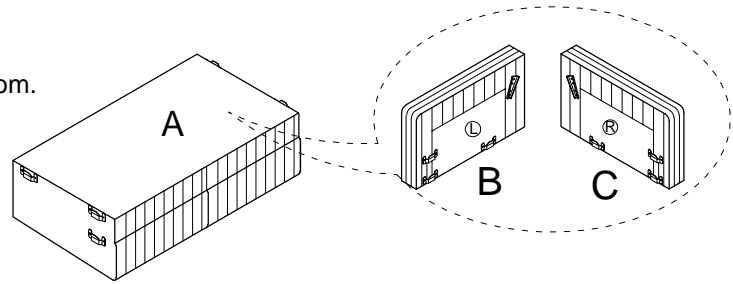
ASSEMBLY INSTRUCTION

ITEM NO: 9520TPE-2/ 9520GRY-2/ 9520BEG-2/ Love Seat.

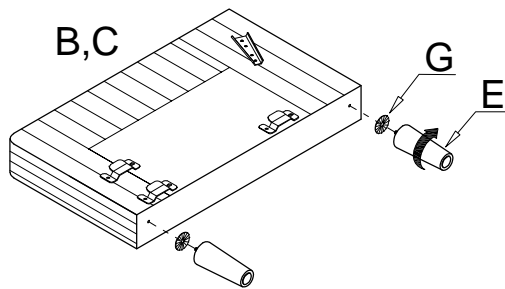
NO.	PARTS LIST	QTY	DESCRIPTION	NO.	PARTS LIST	QTY	DESCRIPTION
A		1	Seat Frame	F		1	Back Rail
B		1	LSF Armrest	G		4	Washer
C		1	RSF Armrest	H		4	Allen Bolt φM6*20
D		1	Back Rest	I		1	Allen Key φ1/4" *M4
E		4	Plastic Leg				

STEP 1:

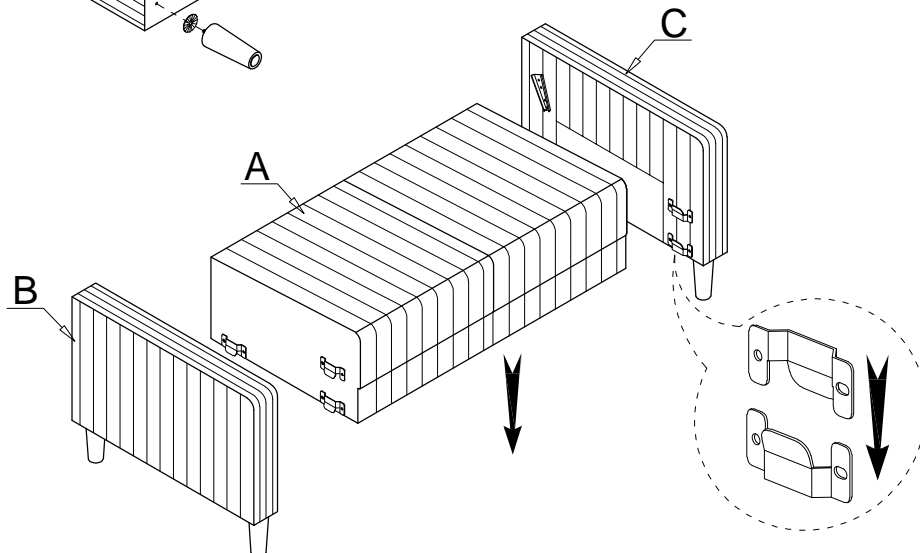
Take out LSF/RSF Armrest (B,C) from the bottom.



STEP 2:



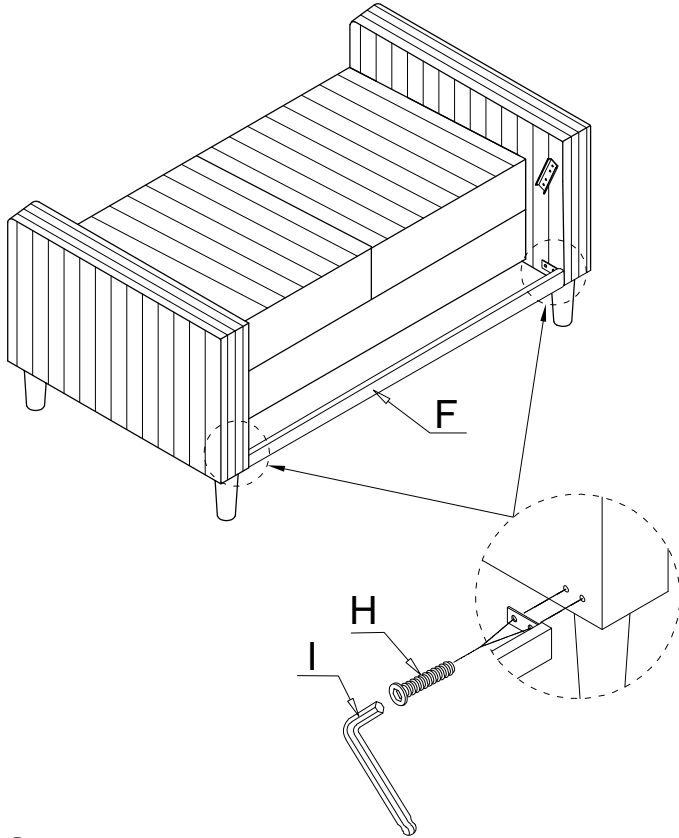
STEP 3:



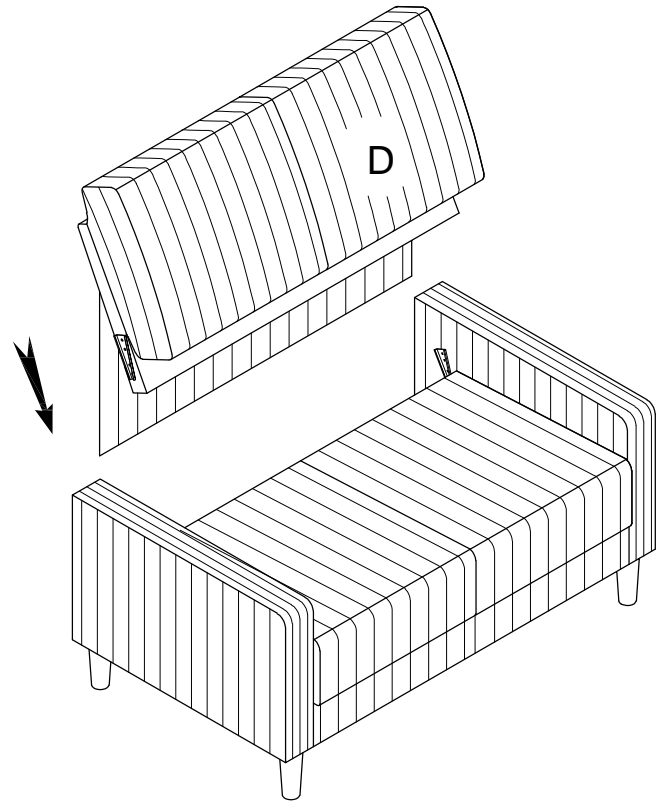
ASSEMBLY INSTRUCTION

ITEM NO: 9520TPE-2/ 9520GRY-2/ 9520BEG-2/ Love Seat.

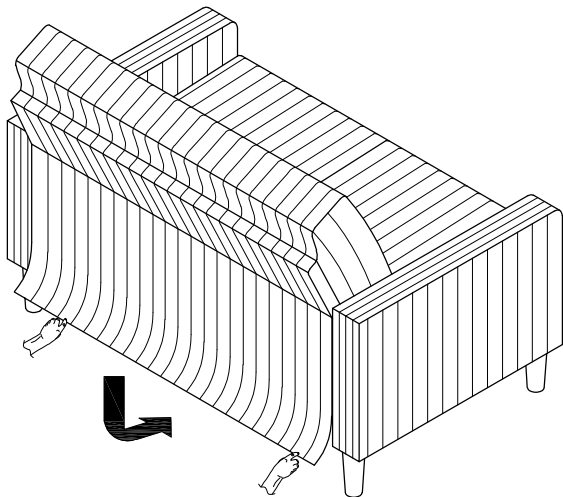
STEP 4:



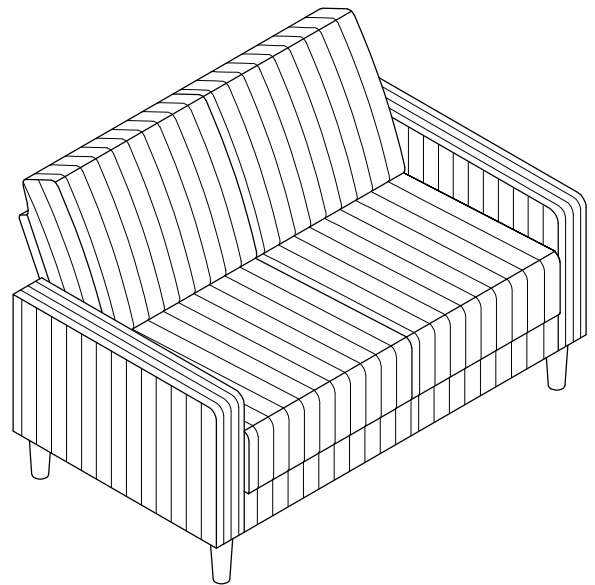
STEP 5:



STEP 6:



STEP 7 (Completed) :



CARE INSTRUCTION FOR FABRIC FURNITURE

In order to maintain the original appearance of your fabric furniture, please follow below simple care procedures.

°Avoid exposing furniture directly to sunlight or heating and air conditioning outlets. Exposure to sunlight or heating and air conditioning outlets will fade/damage fabric.

°Wipe gently with a damp soft cloth to remove dust, dirt and any grime build up.