

# Assembly Instruction

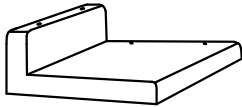
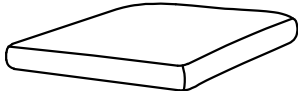
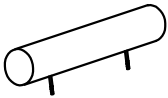


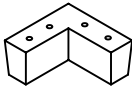
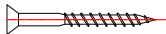
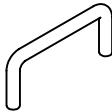
ITEM NO.: 9555BEG/9555BRW-AC  
(1/3) Armless Chair



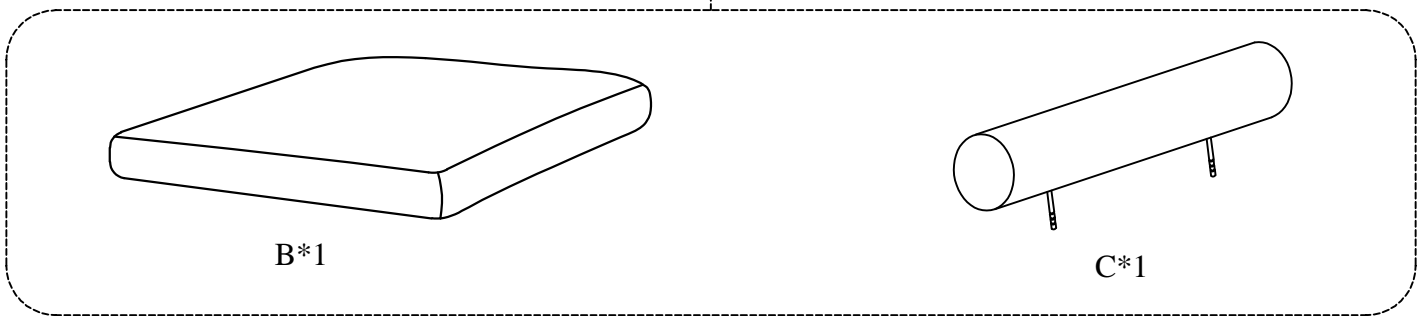
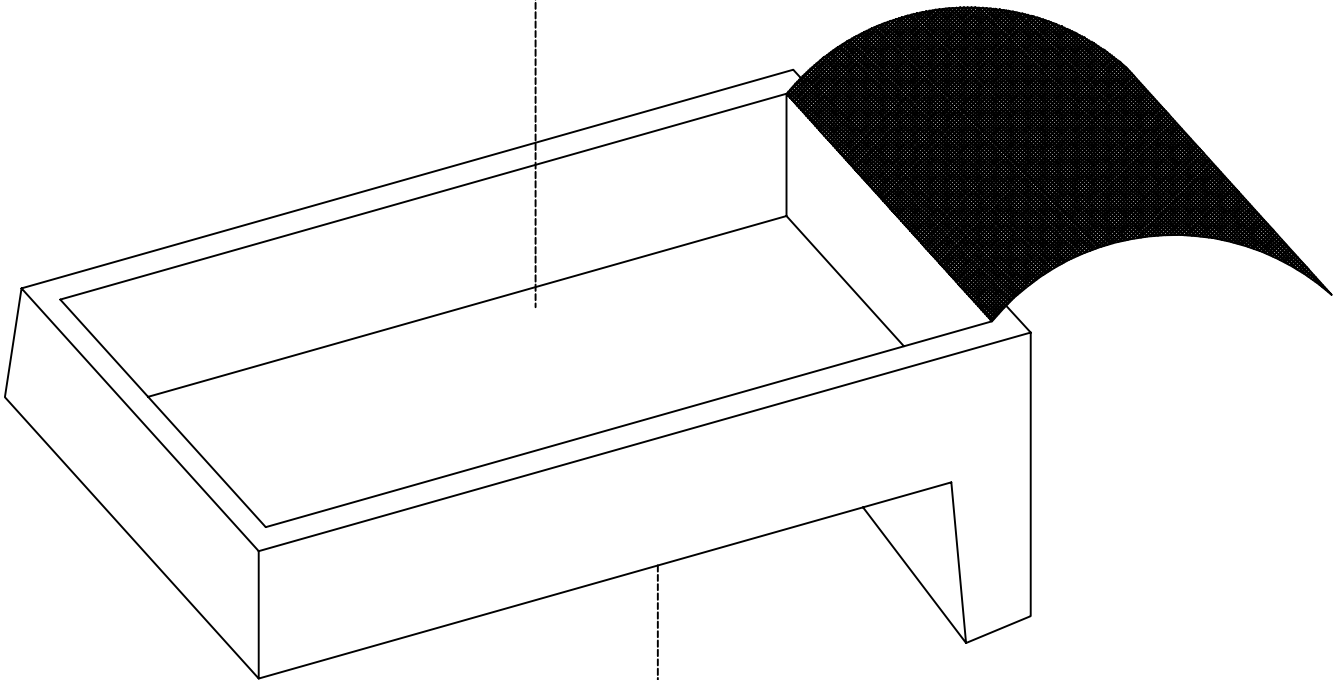
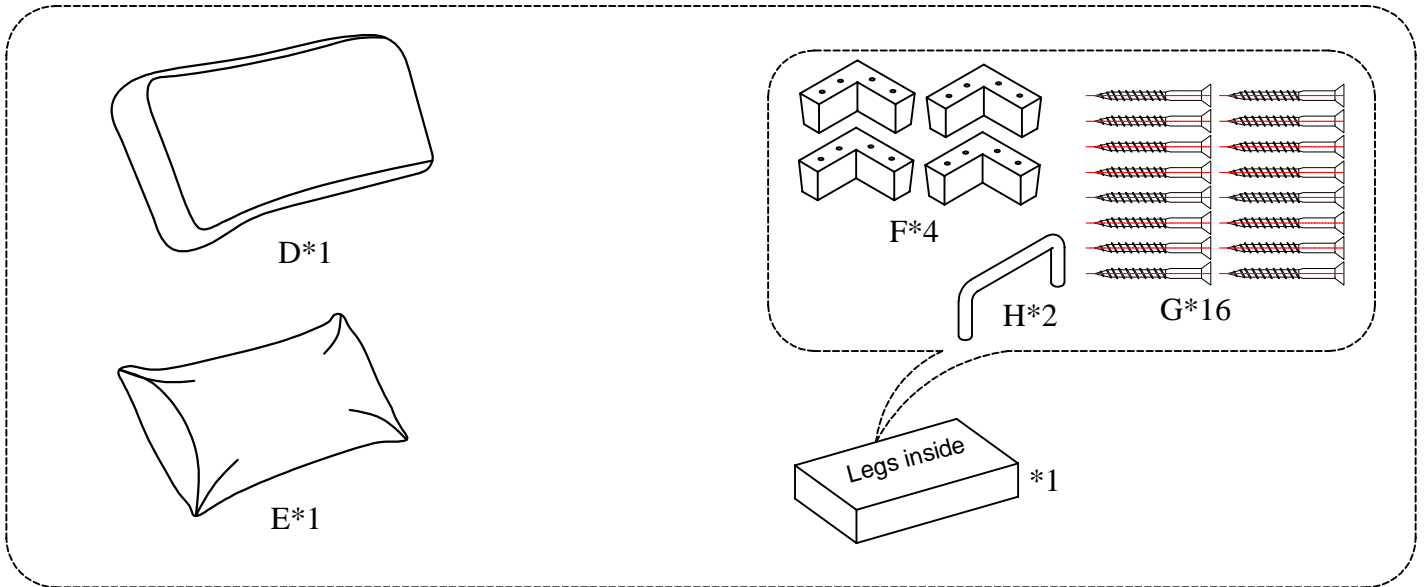
Legs & hardware are stored in the box, please take out the legs and hardware for assembly.

Note: Do not use power tools for assembly. Power tools increase the risk of over tightening which lead to splitting or cracking the wood.

## Chair Component list

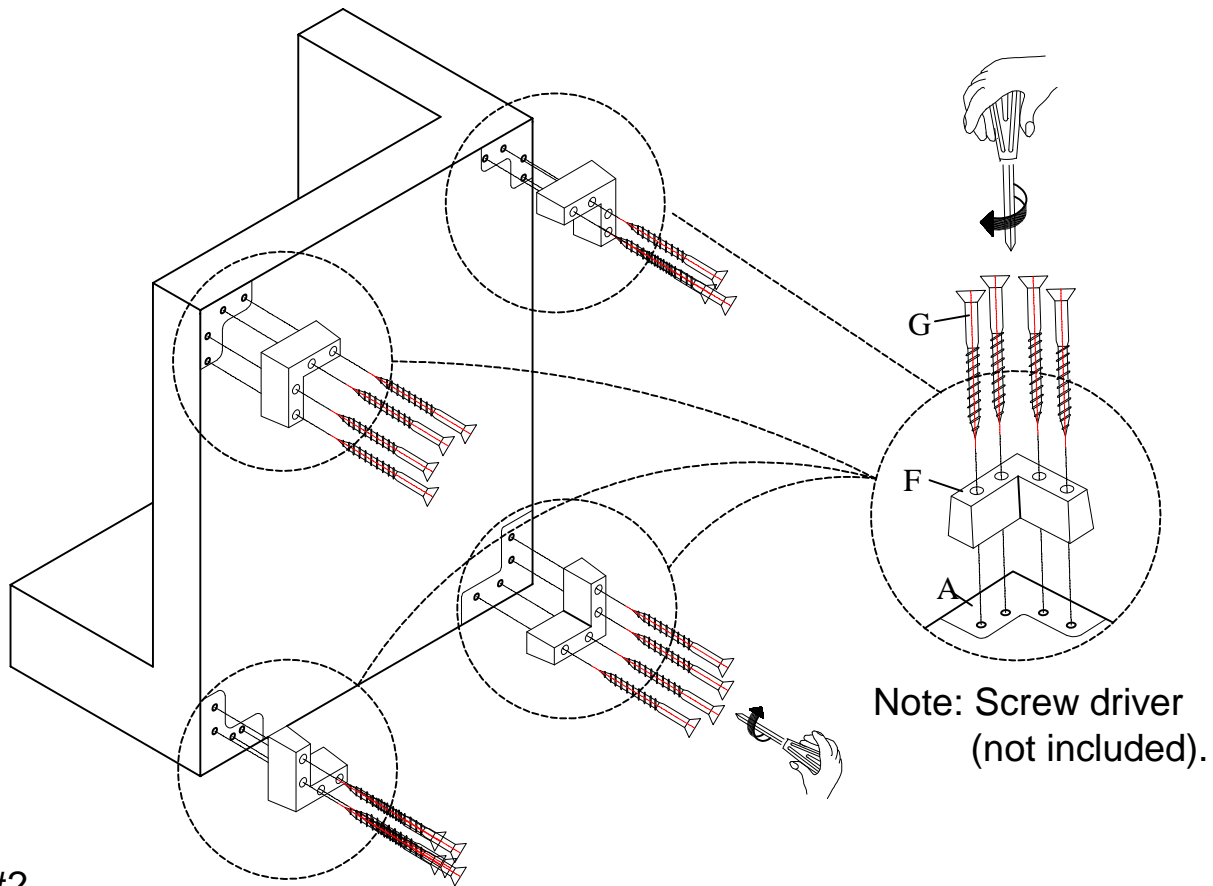
No	Drawing	Qty	Description
<b>A</b>		<b>1</b>	<b>SEAT</b>
<b>B</b>		<b>1</b>	<b>SEAT CUSHION</b>
<b>C</b>		<b>1</b>	<b>HEADREST</b>
<b>D</b>		<b>1</b>	<b>BACK CUSHION</b>
<b>E</b>		<b>1</b>	<b>RECTANGULAR PILLOW 680*400*120mm</b>
<b>F</b>		<b>4</b>	<b>PLASTIC LEG 150*150*70mm</b>
<b>G</b>		<b>16</b>	<b>SCREW M4*70mm</b>
<b>H</b>		<b>2</b>	<b>CONNECTION LOCK 78*50*40mm</b>

THE PARTS ARE LOCATED INSIDE THE BOX AS BELOW:

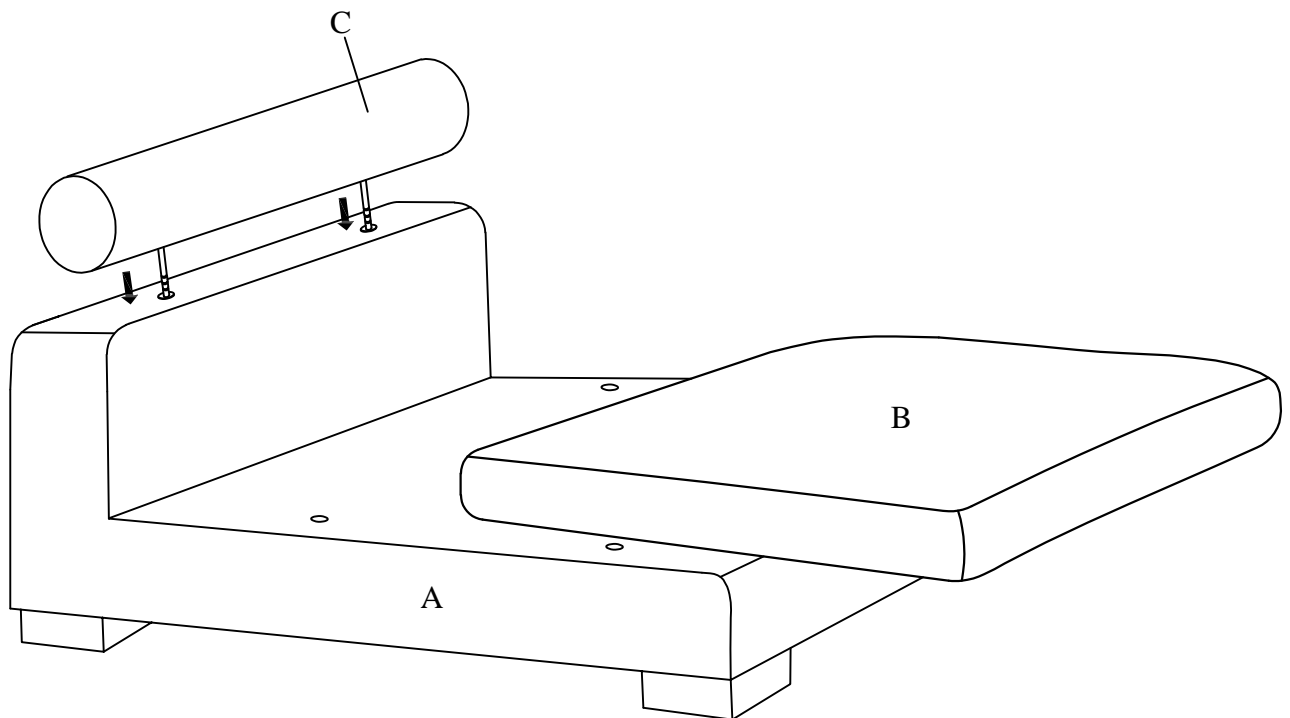


## Step #1

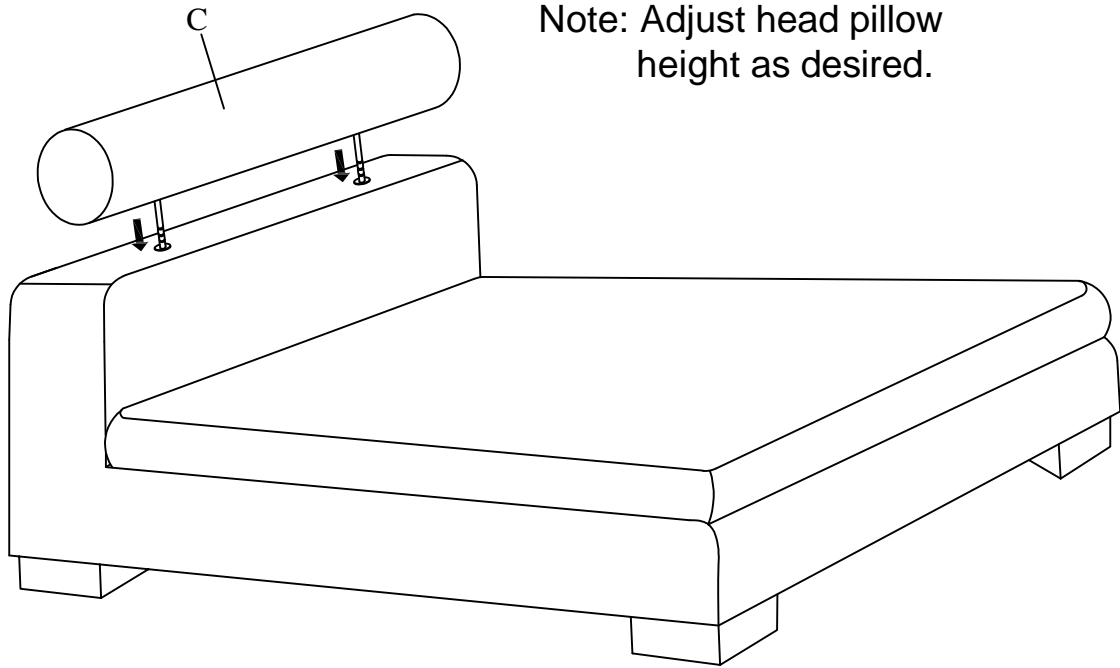
Align the feet into the white line, insert the screw, and tighten with a screwdriver.



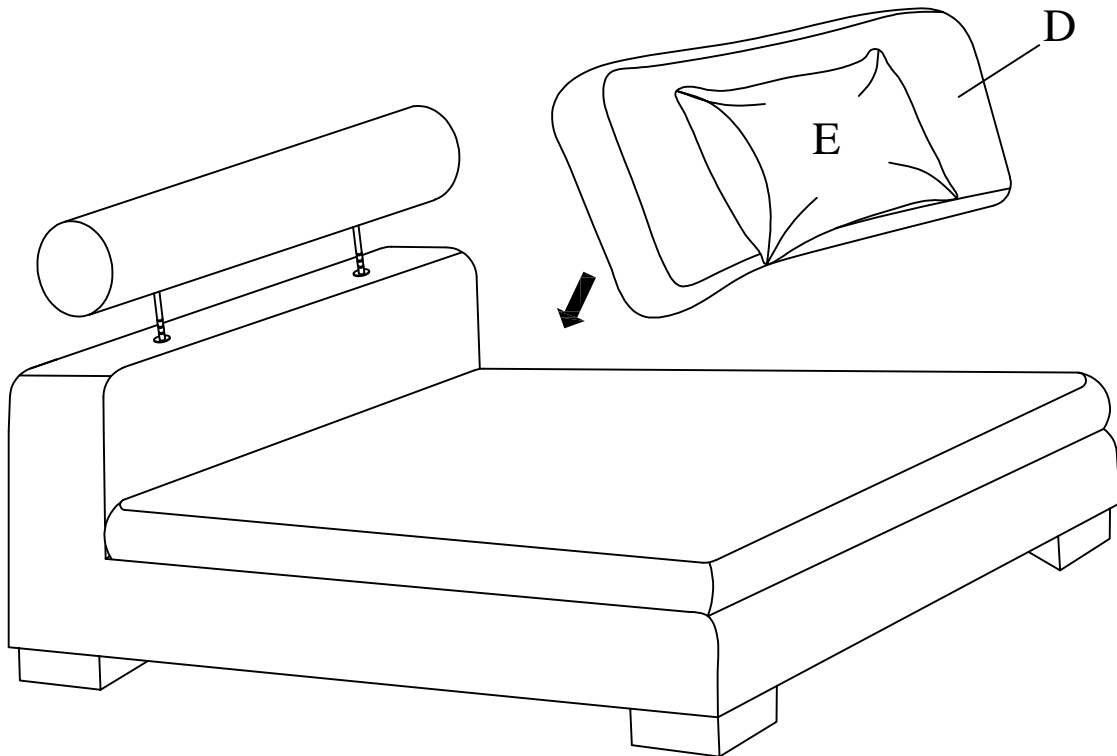
## Step #2



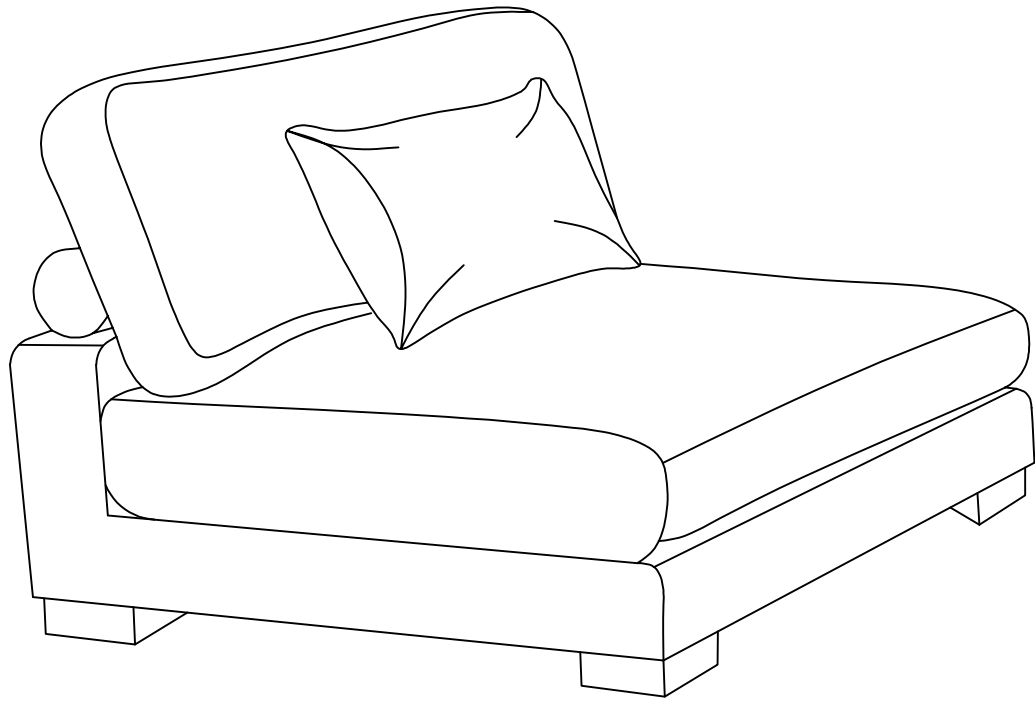
Step #3



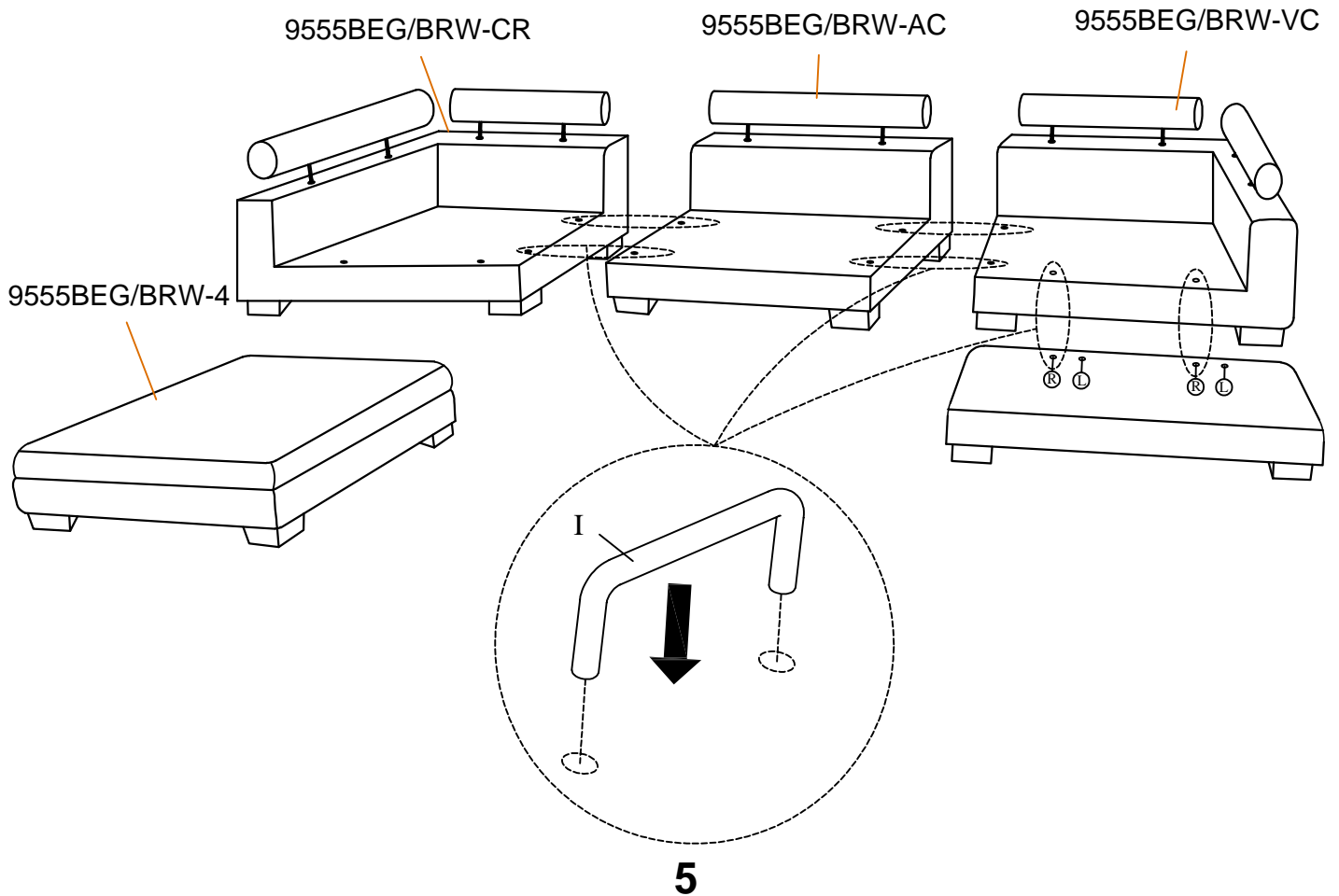
Step #4



Step #5

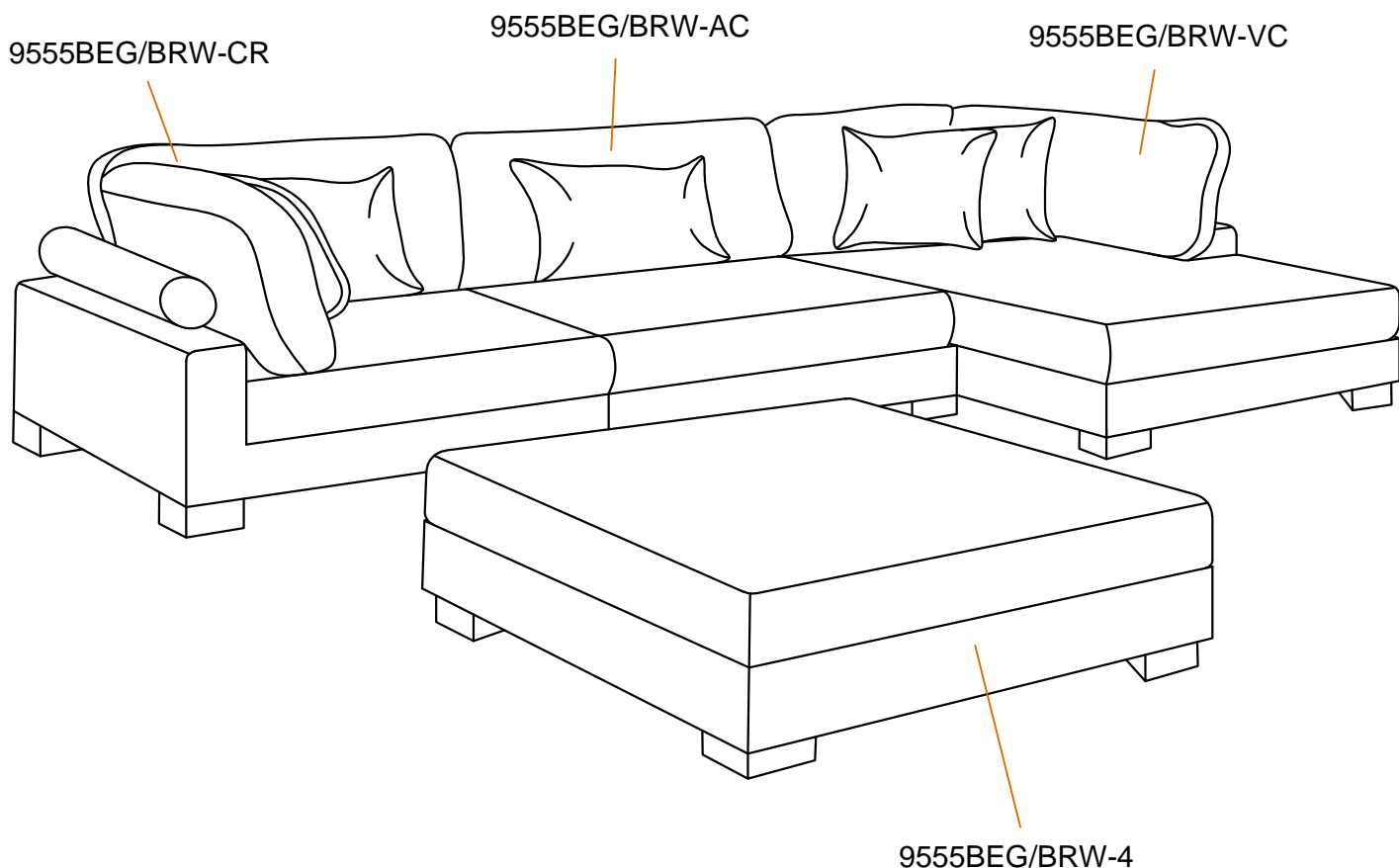


Step #6



## Step #7

Assembly completed.



## Care Instruction for Textured microfiber Furniture:

In order to maintain the original appearance of your Textured microfiber please follow below simple care procedures:

- Avoid exposing furniture directly to sunlight or heating and air conditioning outlets. Sunlight and/or exposure to heating and air conditioning outlets will fade/damage Textured microfiber. Do not place your upholstered furniture too close to windows, radiators, or vents, and be sure to use windows, radiators, or vents.
- Vacuum or wipe with a soft cloth to remove dust.
- Hardware may loosen over time. Periodically check to make sure all connections are tight. Re-tighten if necessary.



For items use on wooden floor, hard surfaces or carpets, it is recommended to Install protective pads under all legs and supports to avoid/prevent from damages/scratches and discoloration.