



HOMELEGANCE

Assembly Instructions

ITEM NO.: 9633MNB

9633MNB-2L : (1/2) Left Side 2-Seater with Pull-out Bed
(Pillow and back rest are stored in RC)

9633MNB-RC: (2/2) Right Side Chaise with Hidden Storage

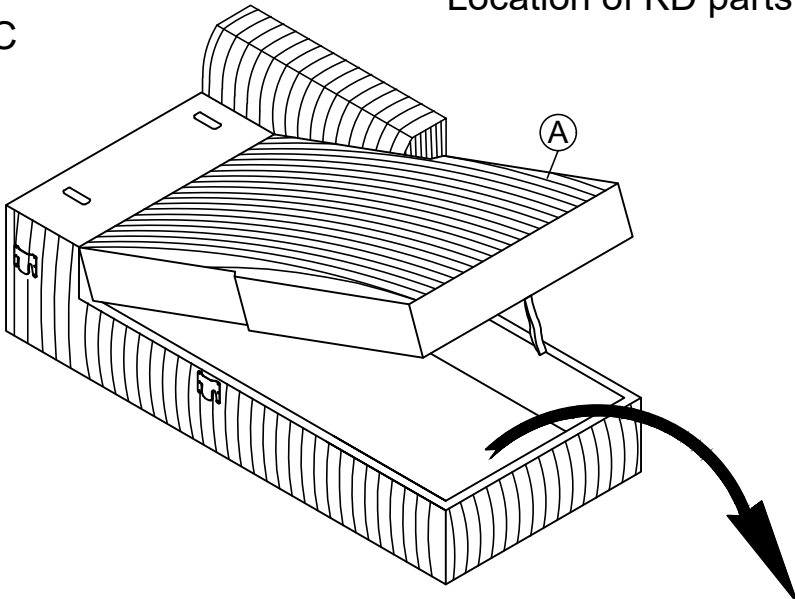


Legs & hardware are stored in Chaise, please take out the legs and hardware for assembly.

Note: Do not use power tools for assembly. Power tools increase the risk of over tightening which lead to splitting or cracking the wood.

RC

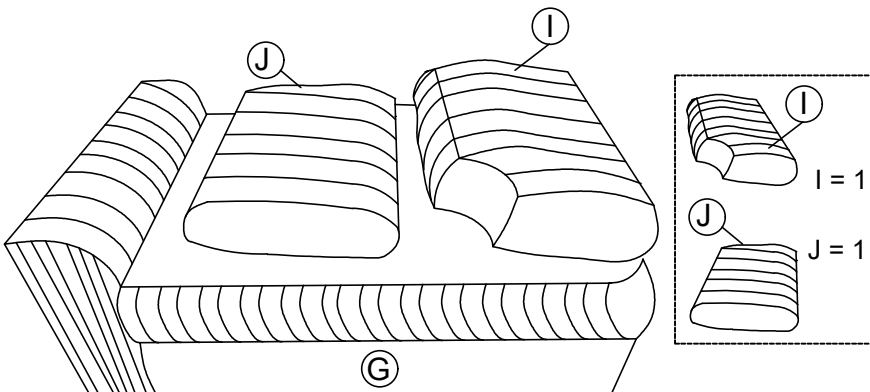
Location of KD parts



	B = 1		E = 4
	H = 1		F = 5
	C = 1		K = 14
	D = 2		L = 16
	M = 4		G = 1

SMALL BOX

2L



CHAISE PART LIST

No.	Description	Diagram	Quantity
A	CHAISE BASE		1
B	CHAISE BACKREST		1
C	RSF BACK CUSHION		1
D	PILLOW (18"x18")		1
E	ROUND PLACTIC LEG (50x50x50MM)		2
F	RECTANGLE LEG (150x50x50MM)		3

LOVESEAT PART LIST

No.	Description	Diagram	Quantity
G	LOVESEAT BASE		1
H	BACKREST (PACKED in RC)		1
I	LSF BACK CUSHION		1
J	MIDDLE BACK CUSHION		1
D	PILLOW (18"x18") (PACKED in RC)		1
E	ROUND PLACTIC LEG (50x50x50MM) (PACKED in RC)		2
F	RECTANGLE LEG (150x50x50MM) (PACKED in RC)		2
M	WHEELS (PACKED in RC)		4

HARDWARE LIST

No.	Description	Diagram	Quantity
K	SCREW Ø8*40MM		14
L	SCREW Ø8*25MM		16



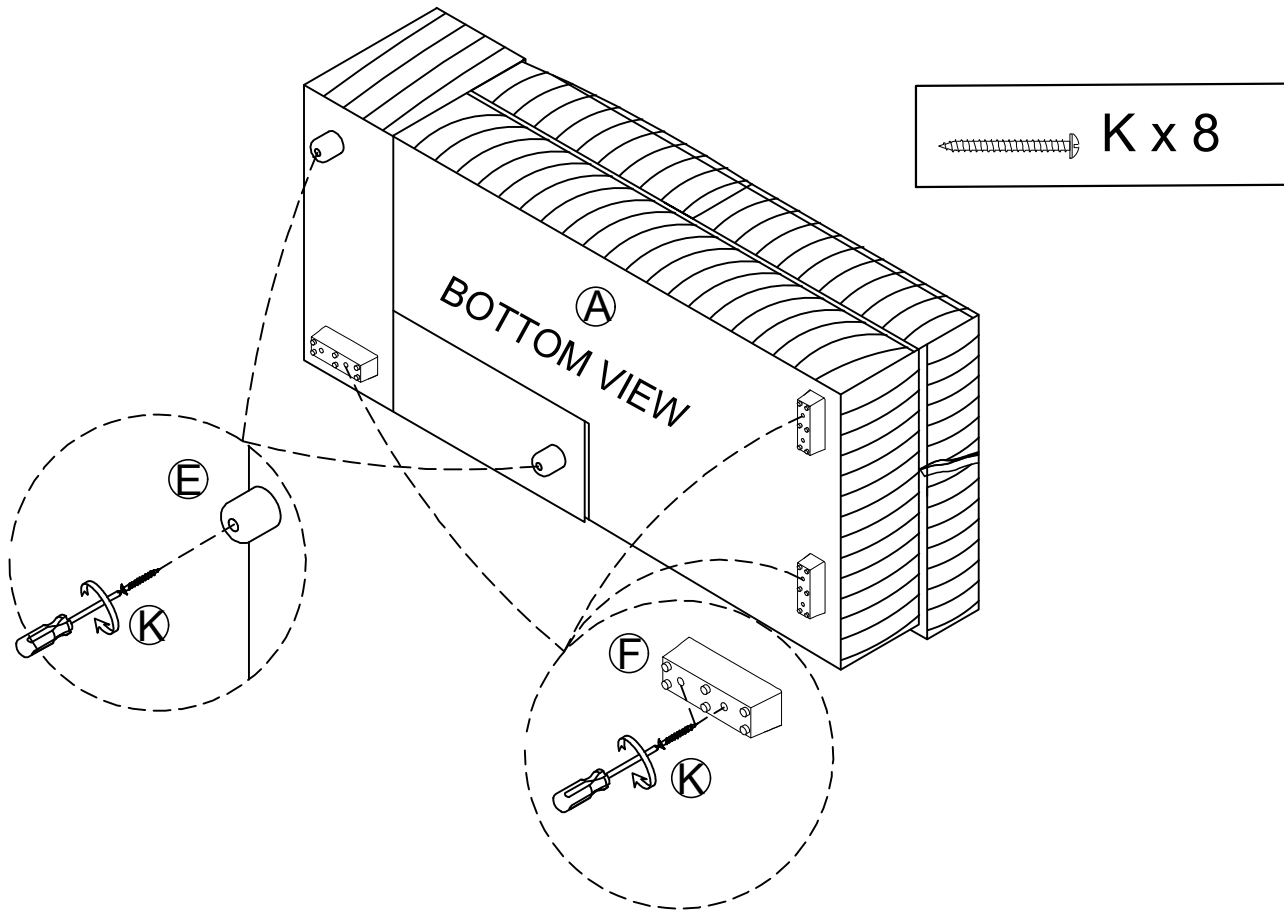
Not Included

ASSEMBLY INSTRUCTION

ITEM NO:9633MNB-2L

9633MNB-RC

STEP 1 :

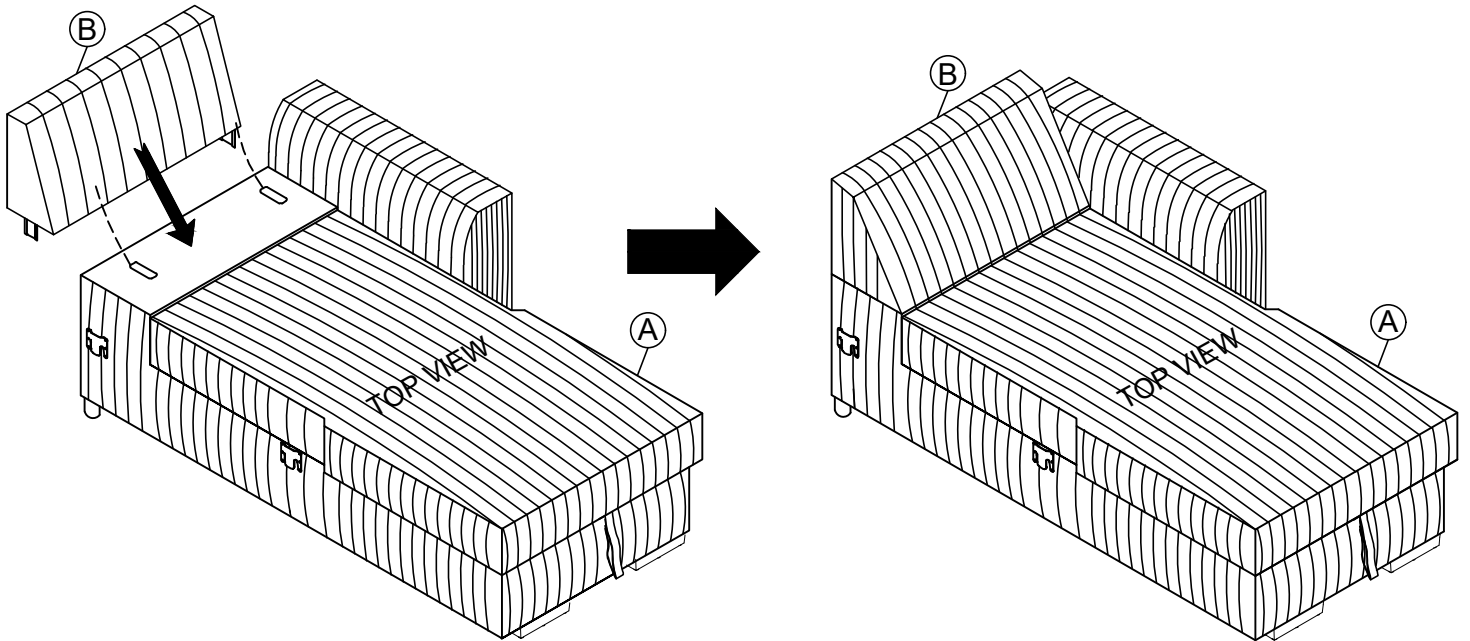


ASSEMBLY INSTRUCTION

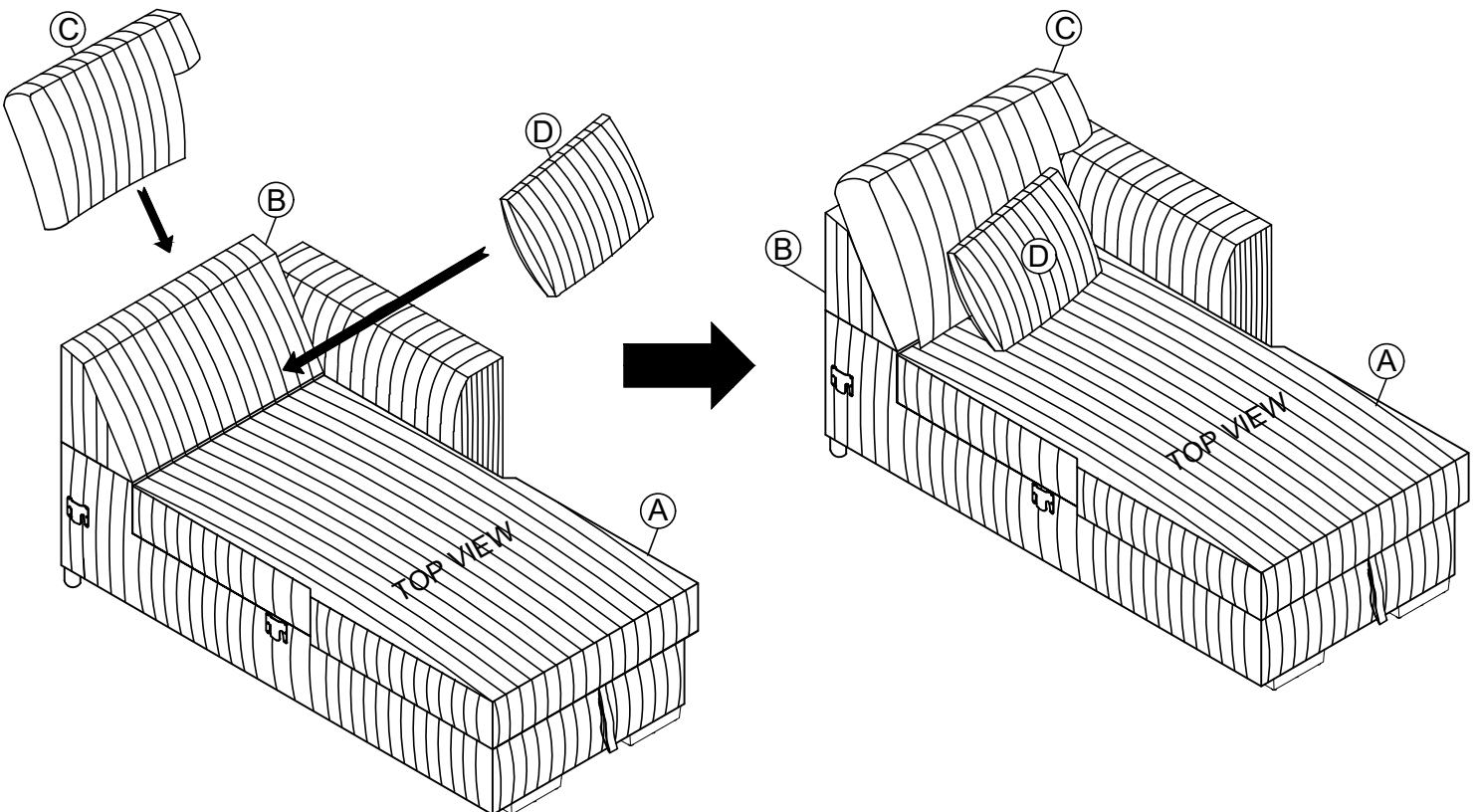
ITEM NO:9633MNB-2L

9633MNB-RC

STEP 2 :



STEP 3 :

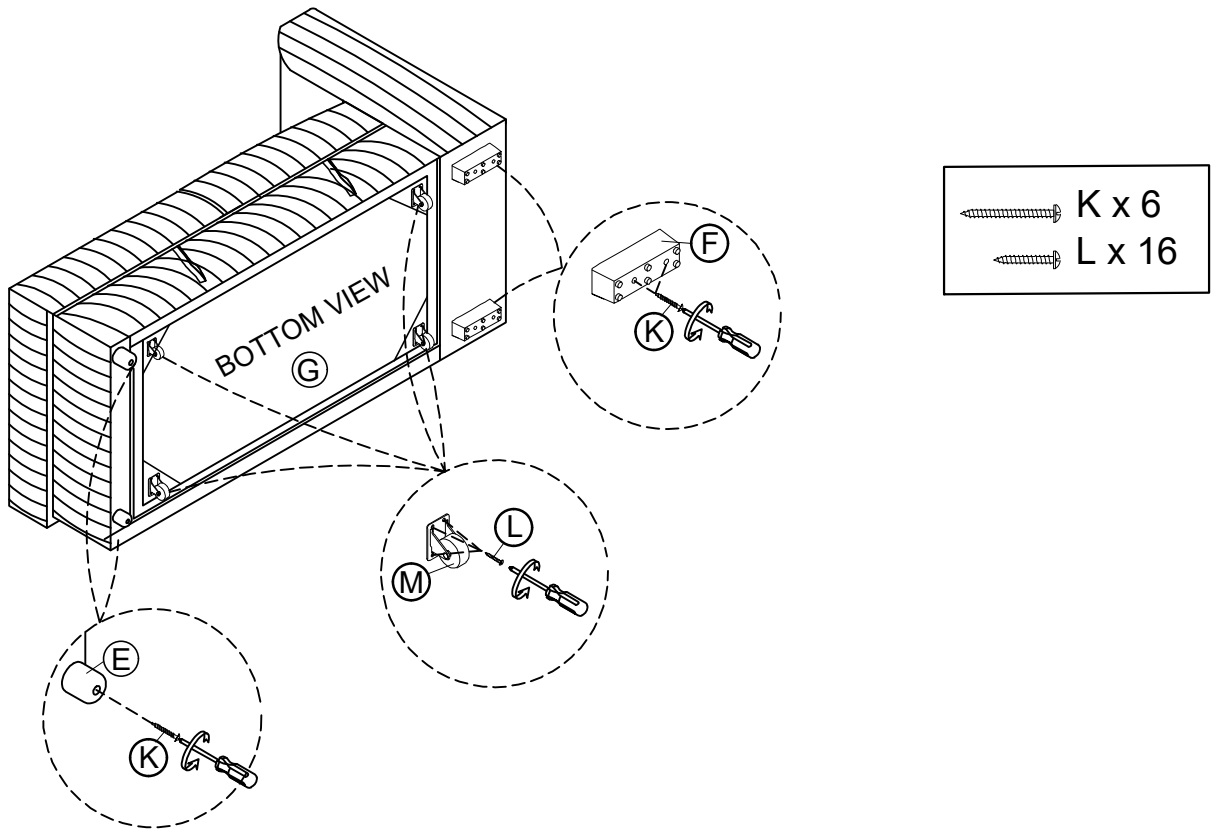


ASSEMBLY INSTRUCTION

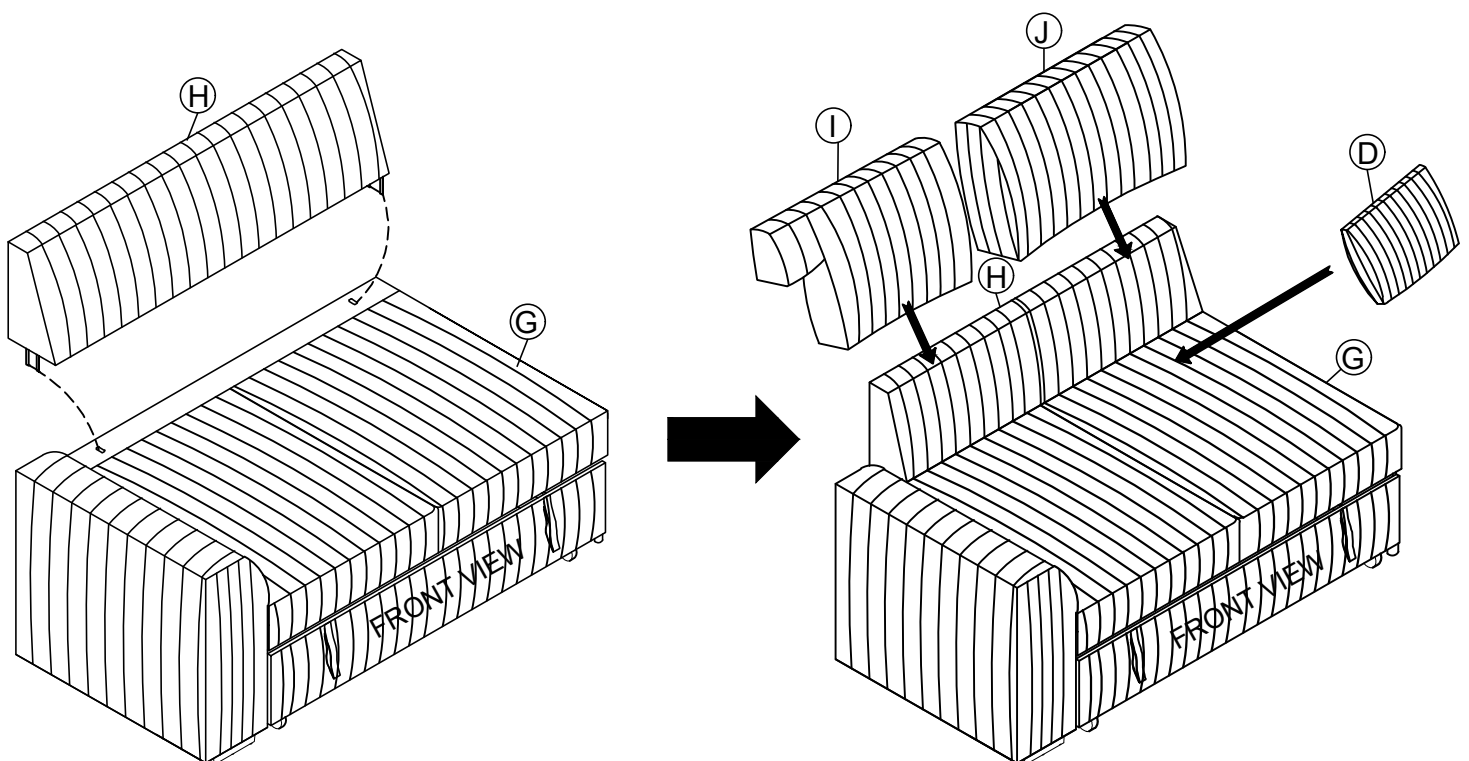
ITEM NO:9633MNB-2L

9633MNB-RC

STEP 4 :



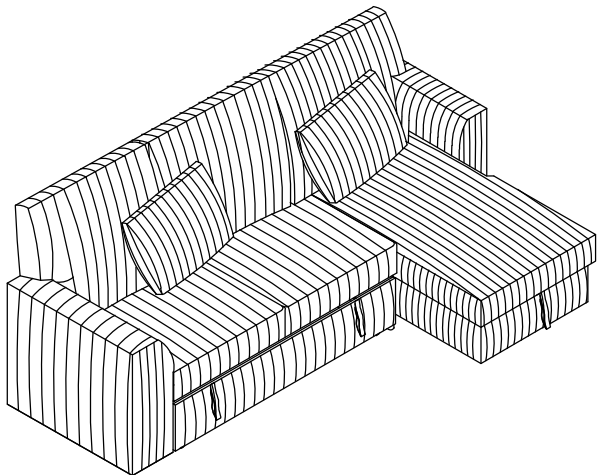
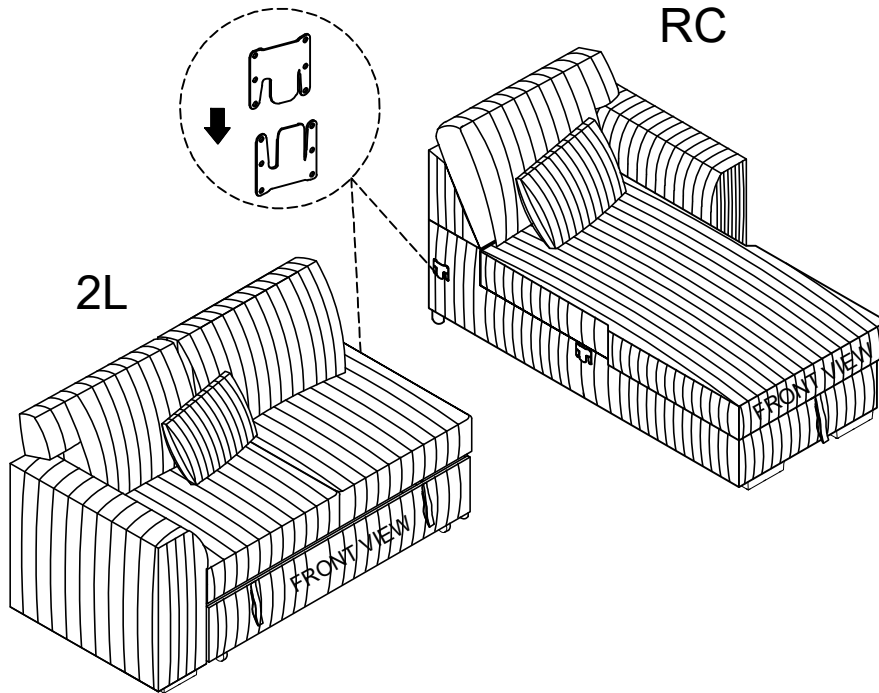
STEP 5 :



ASSEMBLY INSTRUCTION

ITEM NO:9633MNB-2L
9633MNB-RC

STEP 6 :



Care Instruction for Corduroy Furniture:

In order to maintain the original appearance of your corduroy Furniture, please follow below simple care procedures:

- Avoid exposing furniture directly to sunlight or heating and air conditioning outlets. Sunlight and or exposure to heating and air conditioning outlets will fade/damage corduroy.
- Vacuum or wipe with a soft cloth to remove dust. Hardware may loosen over time. Periodically check to make sure all connection are tight, Re-tighten if necessary.



For items use on wooden floor, hard surfaces or carpets, it is recommended to Install protective pads under all legs and supports to avoid/prevent from damages/scratches and discoloration.