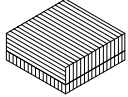




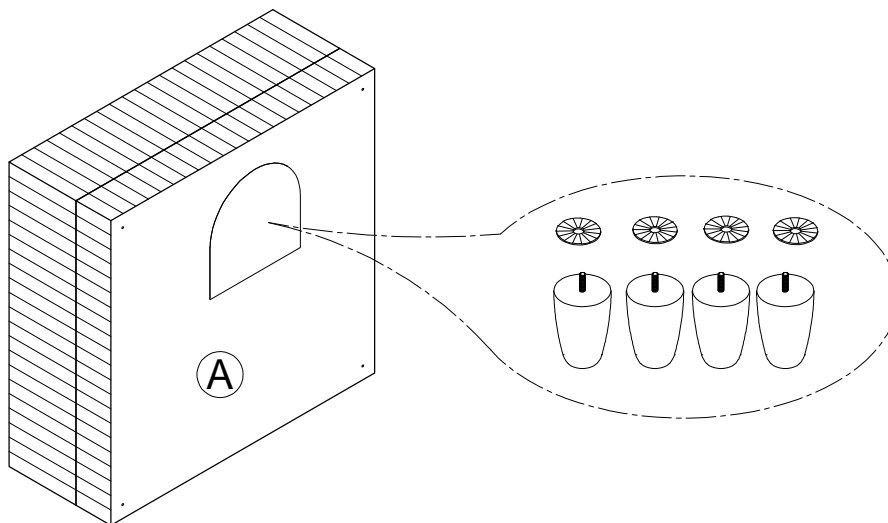
ASSEMBLY INSTRUCTION

ITEM NO: 9688GY-4 / OTTOMAN.

LEGS, HARDWARE ARE STORED IN THE BOTTOM OF THE SEAT, PLEASE TAKE OUT FOR ASSEMBLY.

NO.	PARTS LIST	QTY	DESCRIPTION
A		1	Ottoman
B	 Ø3-1/8"*5-1/8"	4	Wooden Leg
C		4	Washer

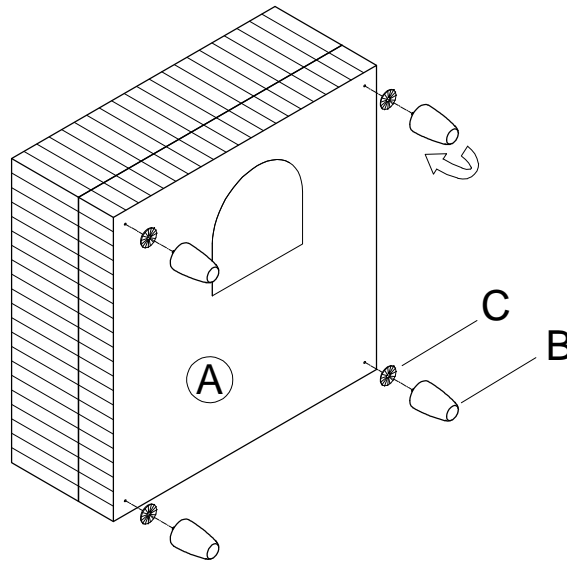
STEP 1:



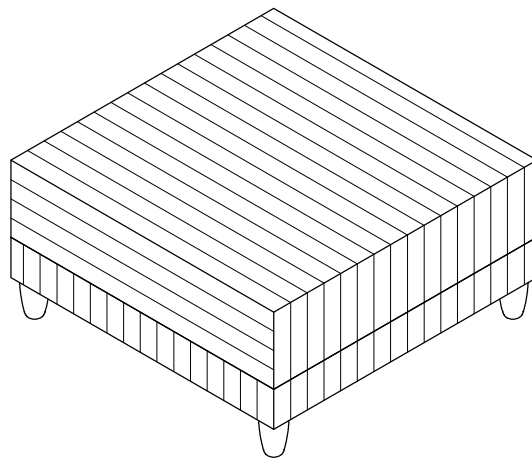
ASSEMBLY INSTRUCTION

ITEM NO: 9688GY-4 / OTTOMAN.

STEP 2:



STEP 3 (Completed) :



CARE INSTRUCTION FOR FABRIC FURNITURE



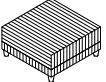
In order to maintain the original appearance of your fabric furniture, please follow below simple care procedures.

°Avoid exposing furniture directly to sunlight or heating and air conditioning outlets. Exposure to sunlight or heating and air conditioning outlets will fade/damage fabric.

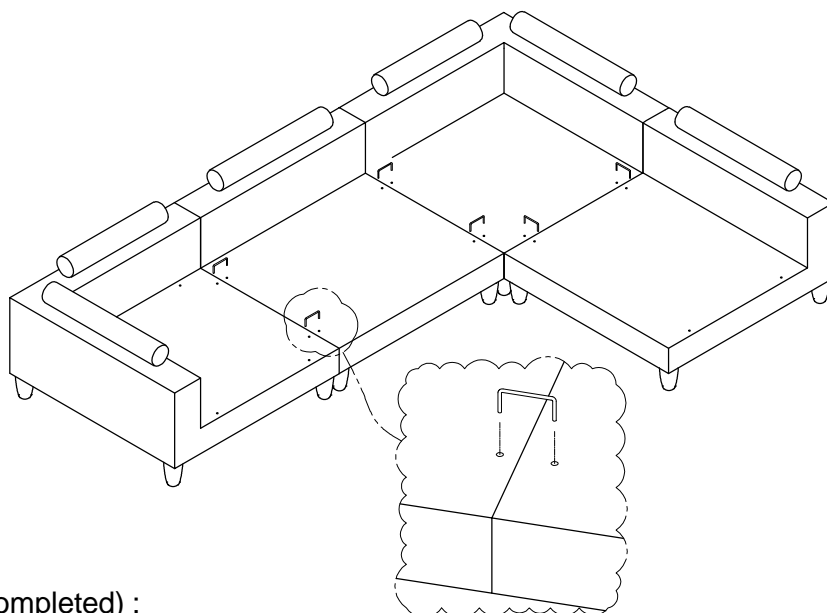
°Wipe gently with a damp soft cloth to remove dust, dirt and any grime build up.

ASSEMBLY INSTRUCTION

ITEM NO: 9688GY

NO.	PARTS LIST	QTY	DESCRIPTION
A		2	9688GY-AC
B		2	9688GY-CR
C		1	9688GY-4

STEP 1 :



STEP 2 (Completed) :

