



HOMELEGANCE

# ASSEMBLY INSTRUCTION

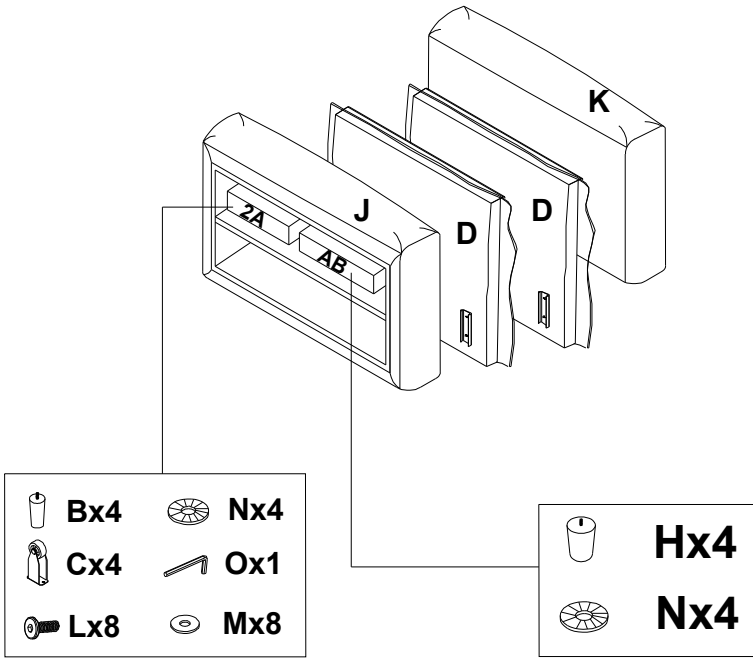
ITEM NO:9705BE/DB/GY-AB

2 Arms with Shelves, Charging Ports & backs of 2-Seater



Legs and hardware are stored in the box, please take out for assembly

NOTE: Do not use power tools for assembly. Power tools increase the risk of over tightening which lead to splitting or cracking the wood.



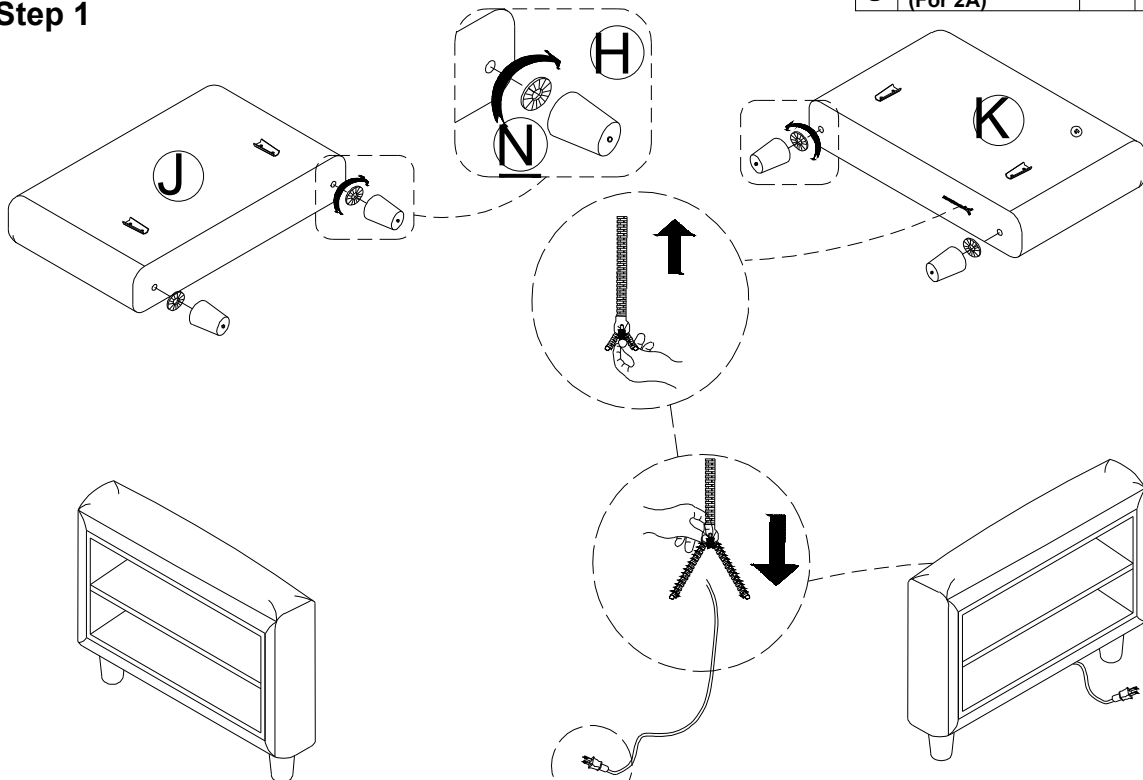
## ARM PART LIST

No.	Description	Diagram	Quantity
B	PLASTIC LEG(45MM*97Hmm) (For 2A)		4
C	CASTOR (For 2A)		4
D	BACK PANEL (For 2A)		2
J	LSF ARM		1
K	RSF ARM		1
H	PLASTIC LEG (80MM*97Hmm)		4

## HARDWARE LIST :

No.	Description	Diagram	Quantity
N	Plastic Washer	Ø45mm	4
L	Bolts (For 2A)	Ø1/4x20mm	8
M	Metal gasket (For 2A)	Ø16mm	8
N	Plastic Washer (For 2A)	Ø45mm	4
O	Allen Wrench (For 2A)	M4	1

### Step 1



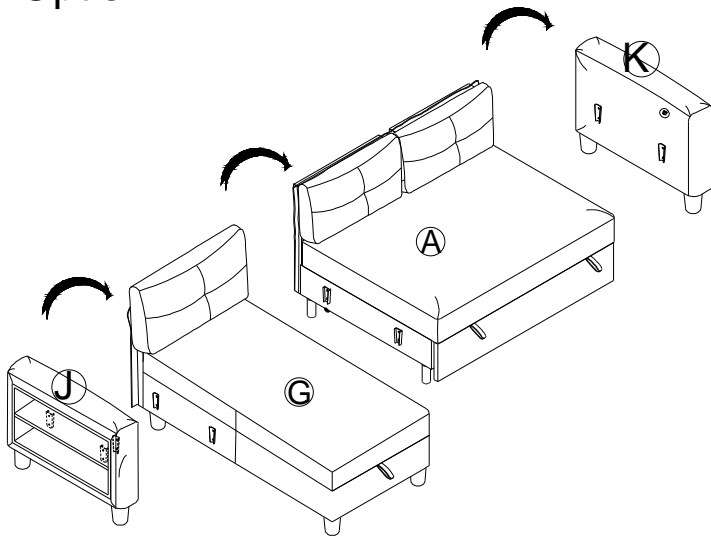
# ASSEMBLY INSTRUCTION

ITEM NO:9705BE/DB/GY-AB

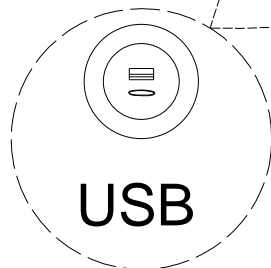
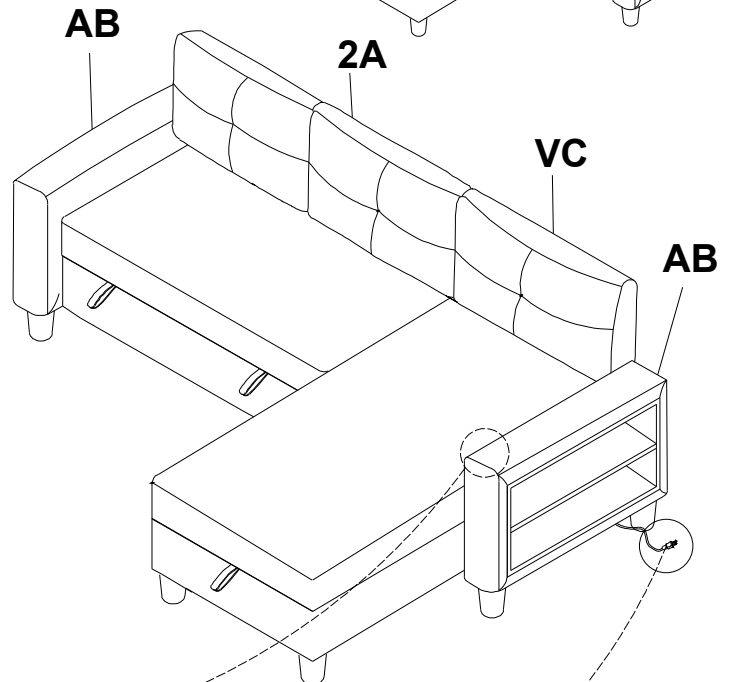
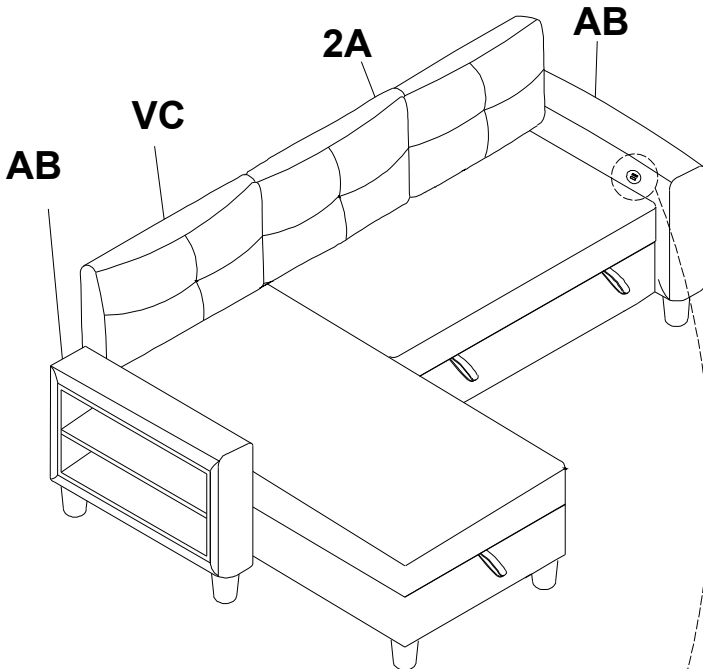
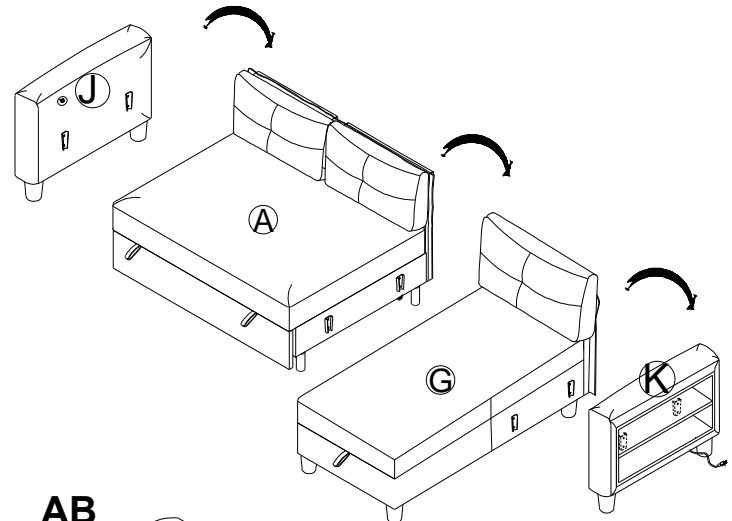
## AB+2A+VC sectional set up

From this step, it is divided into two columns. The left and right columns correspond to Option A and Option B respectively. You can choose according to your needs.

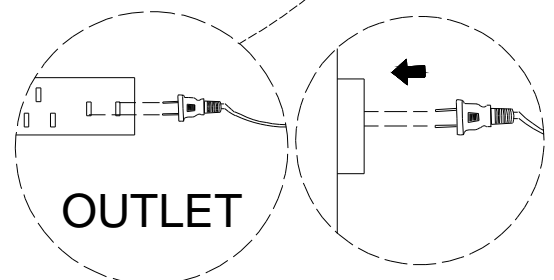
### Option A



### Option B



USB

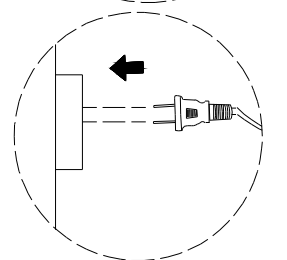
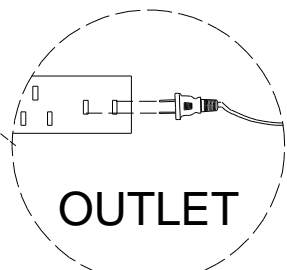
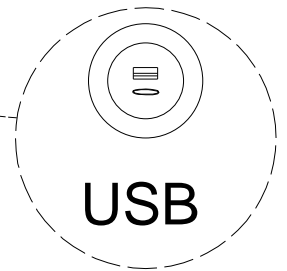
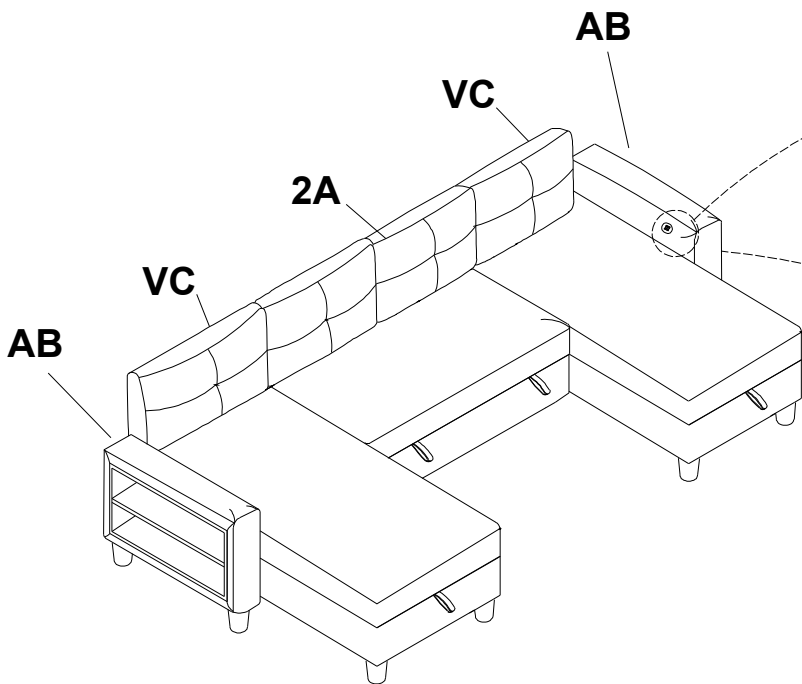
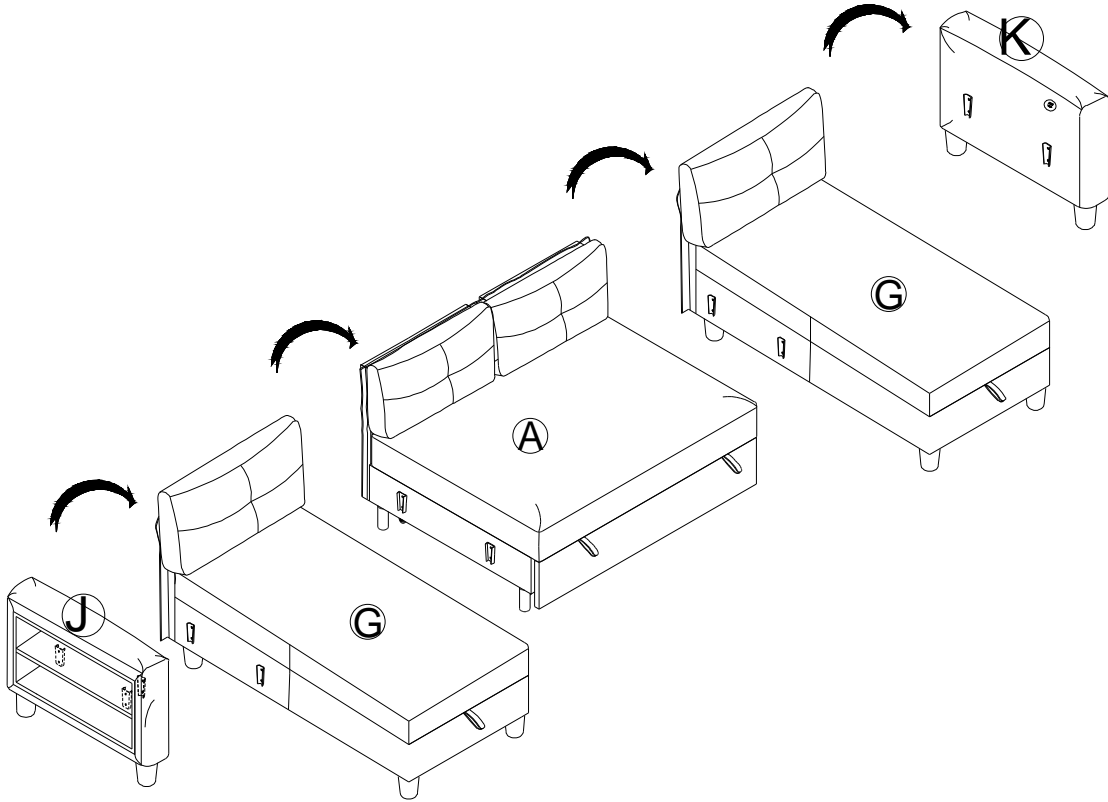


OUTLET

# ASSEMBLY INSTRUCTION

ITEM NO:9705BE/DB/GY-AB

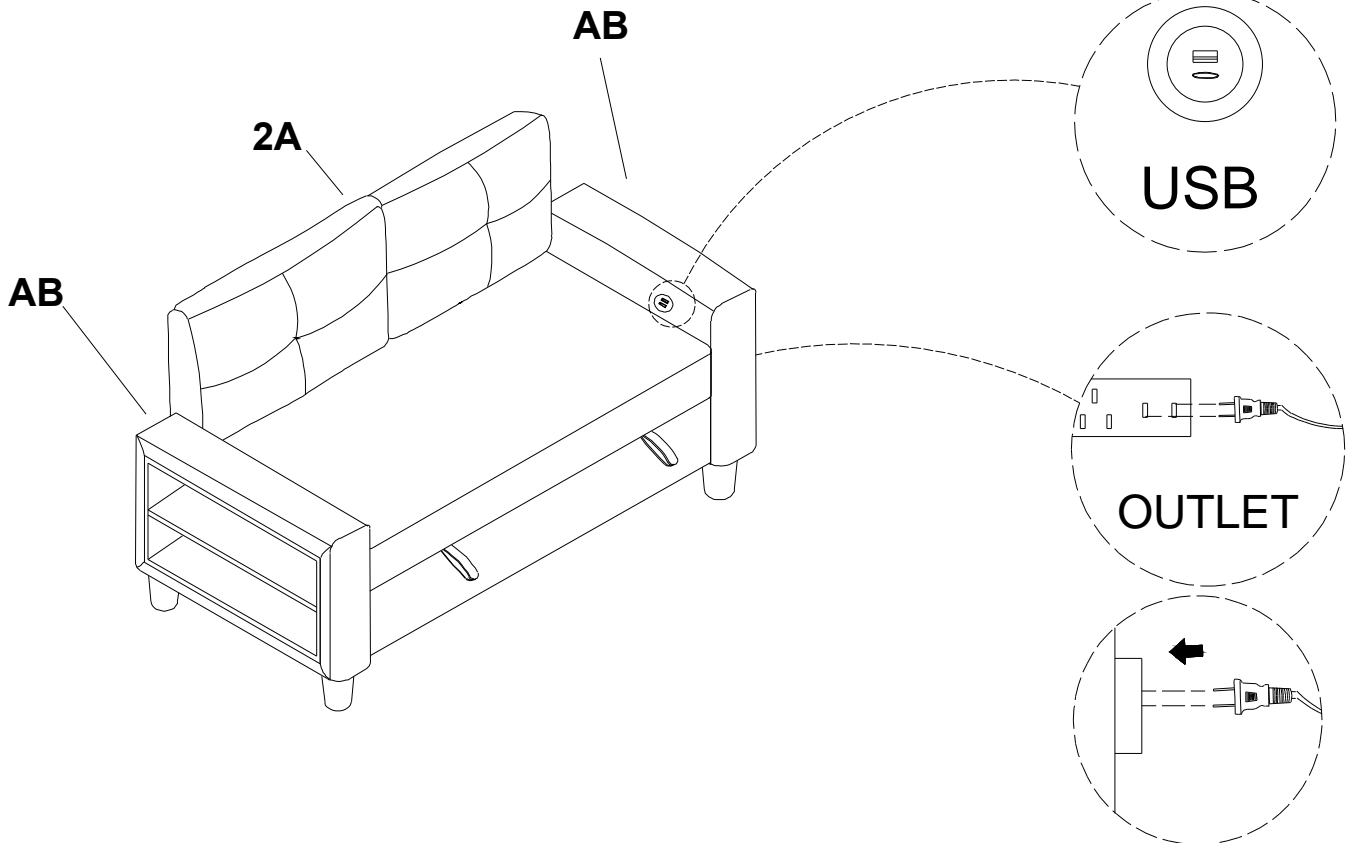
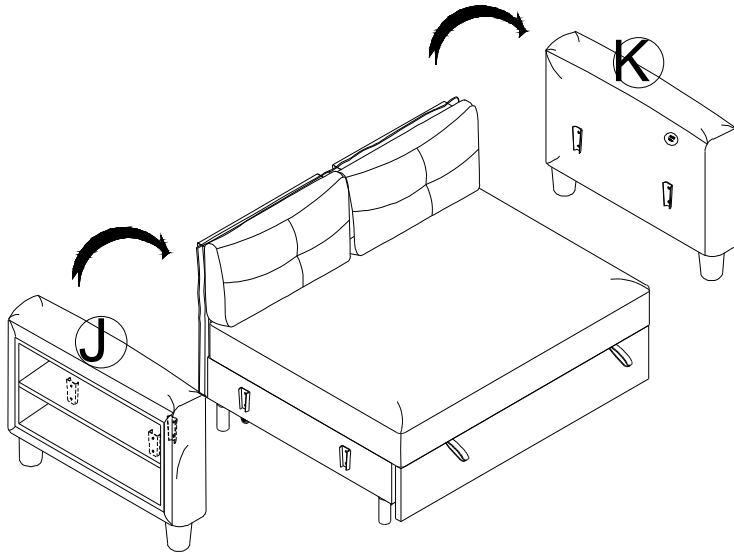
AB+2A+VC+VC sectional set up



# ASSEMBLY INSTRUCTION

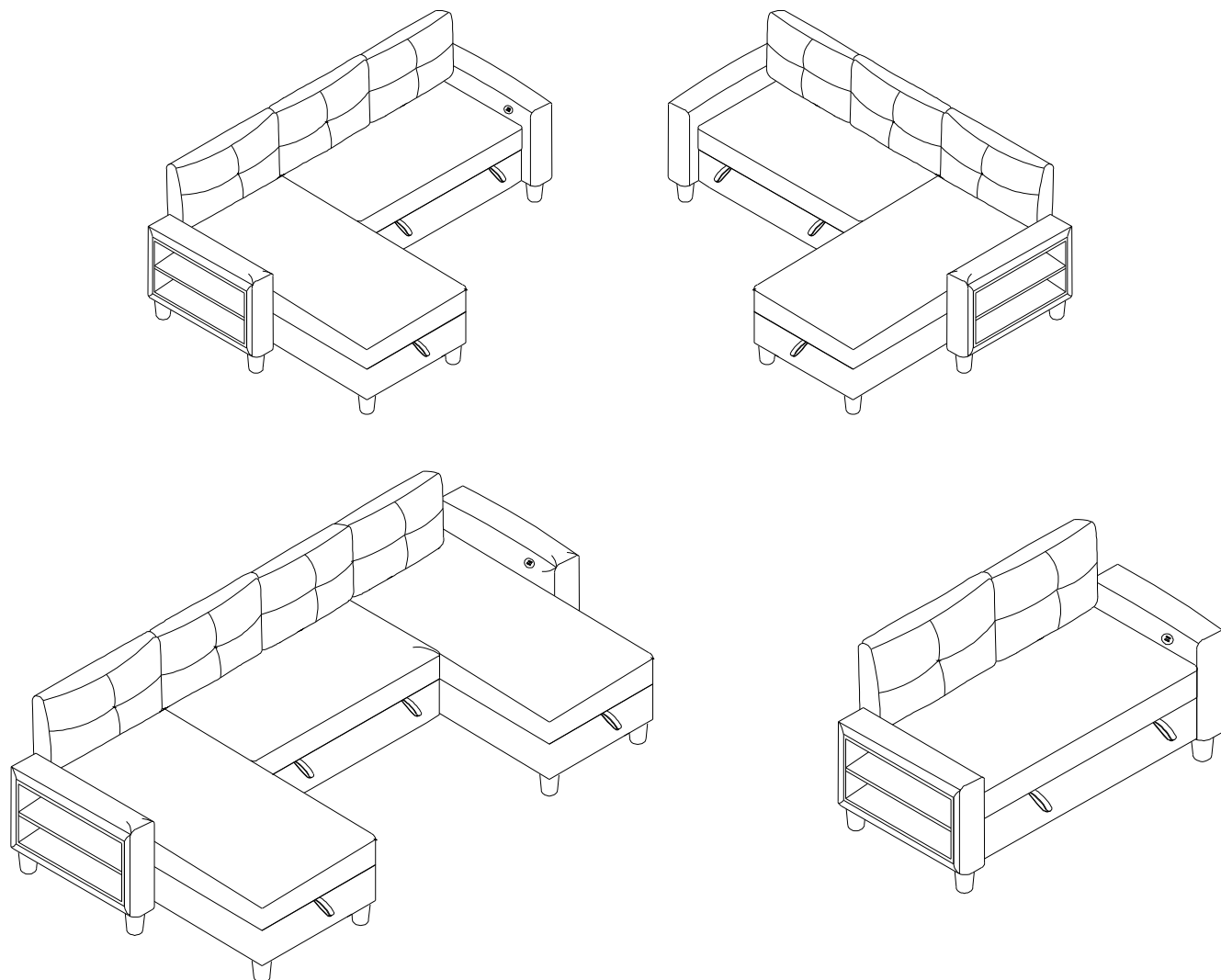
ITEM NO:9705BE/DB/GY-AB

AB+2A



# ASSEMBLY INSTRUCTION

ITEM NO:9705BE/DB/GY-AB



## Care Instruction for Boucle Furniture:

**In order to maintain the original appearance of your Boucle furniture, please follow below simple care procedures:**

**Avoid exposing furniture directly to sunlight or heating and air conditioning outlets. Sunlight and or exposure to heating and air conditioning outlets will fade/damage Boucle.**

**Vacuum or wipe with a soft cloth to remove dust.**

**Hardware may loosen over time. Periodically check to make sure all connection are tight, Re-tighten if necessary.**

**For item use on wooden floor, hard surfaces or carpets, it is recommended to install protective pads under all legs and supports to avoid/prevent from damages/scratches and discoloration.**