

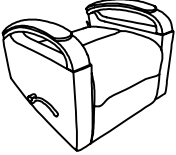



Assembly Instruction

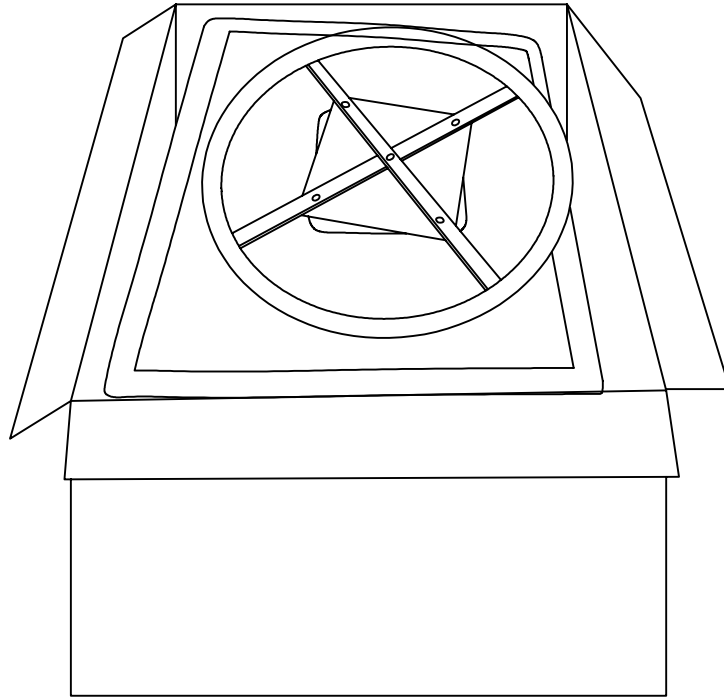
Swivel Glider Reclining Chair

ITEM NO.: 9708NV-1SW / 9708SM-1SW

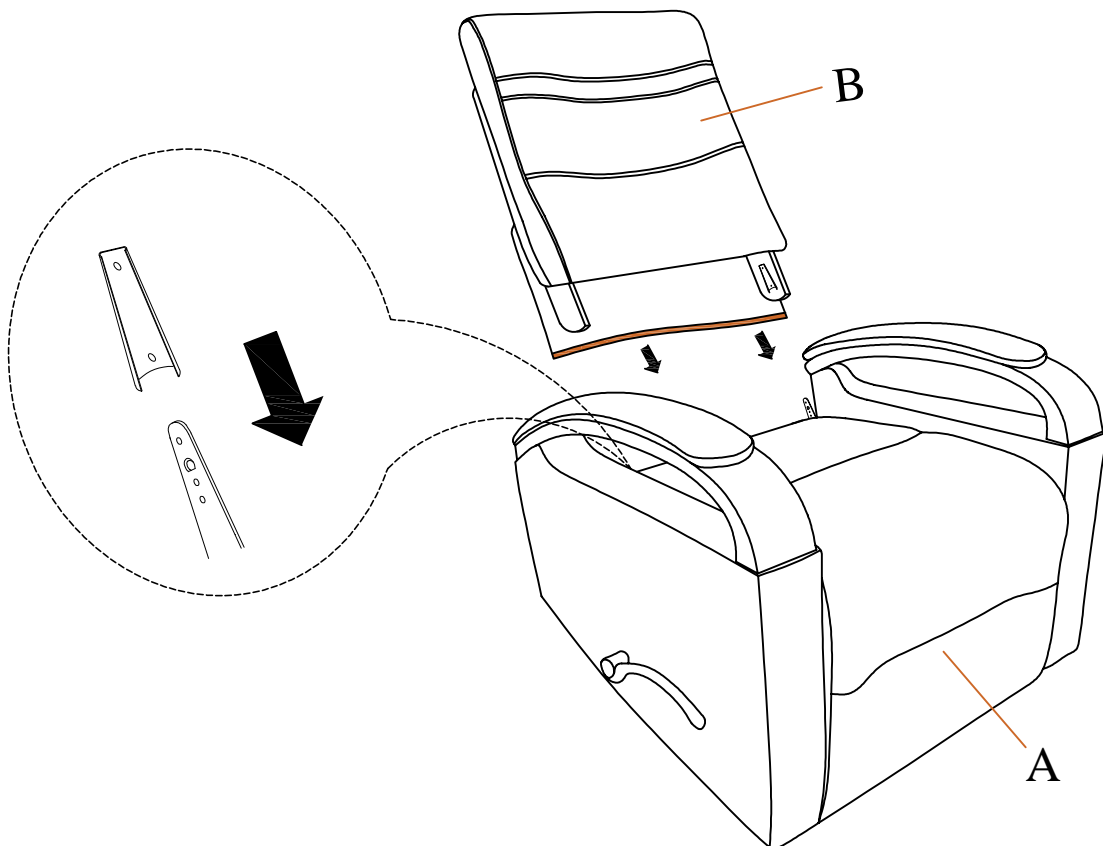
Note: Do not use power tools for assembly. Power tools increase the risk of over tightening which lead to splitting or cracking the wood.

No	Drawing	Qty	Description
A		1	SEAT
B		1	BACK REST

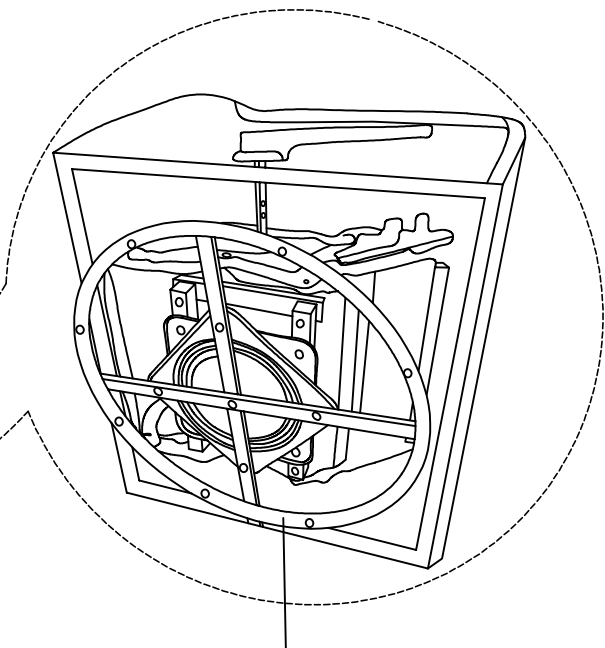
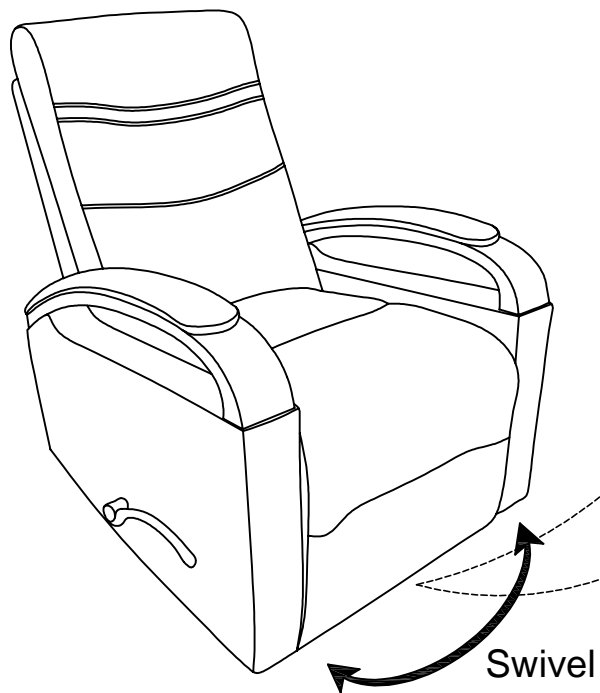
Step #1



Step #2

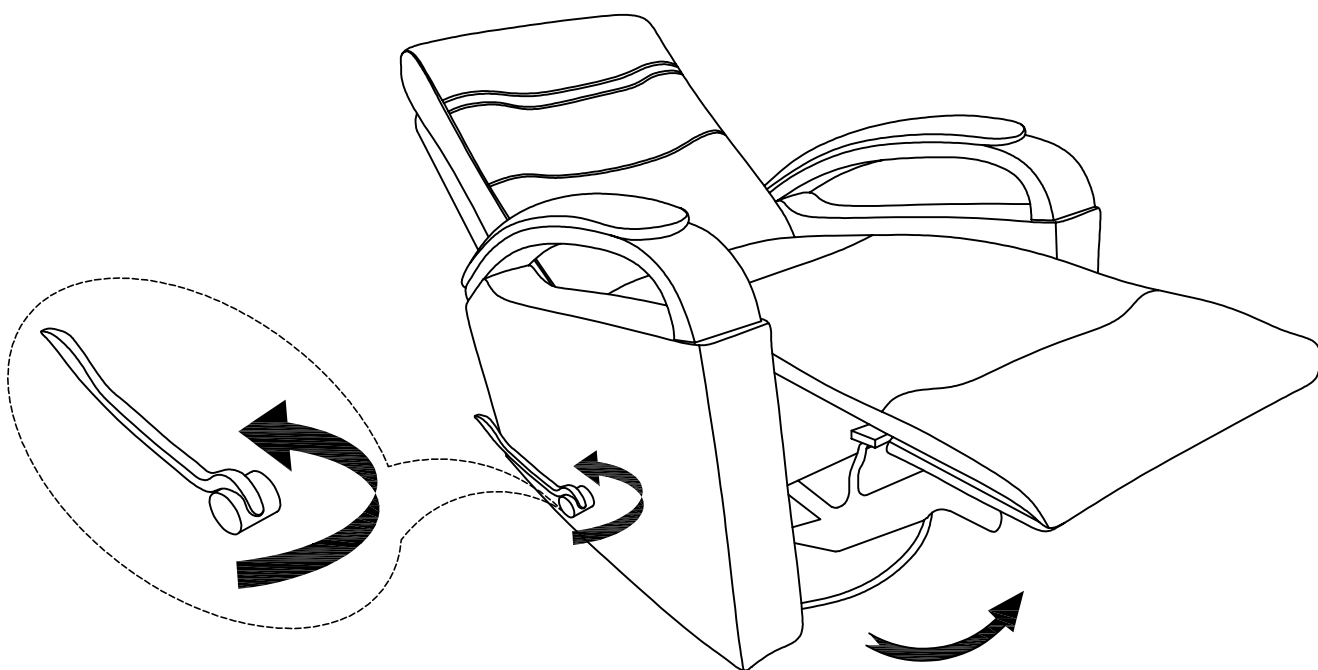


Step #3



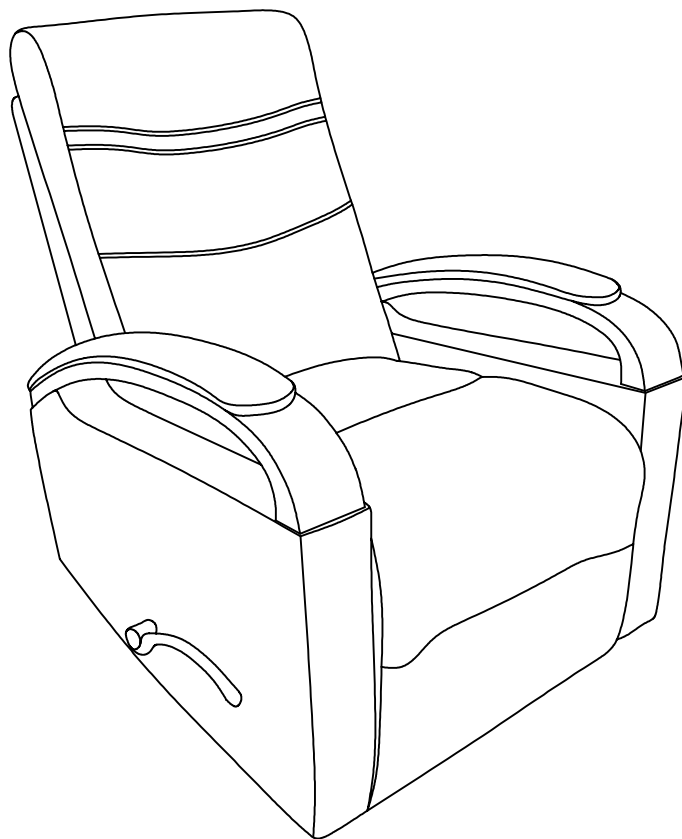
Note: Swivel Chair

Step #4



Step #5

Assembly completed.



Care Instruction for Breathable Faux Leather Furniture:

In order to maintain the original appearance of your breathable faux leather furniture, please follow below simple care procedures:

- Avoid exposing furniture directly to sunlight or heating and air conditioning outlets. Sunlight and/or exposure to heating and air conditioning outlets will fade/damage breathable faux leather. Do not place your upholstered furniture too close to windows, radiators, or vents, and be sure to use windows, radiators, or vents.
- Vacuum or wipe with a soft cloth to remove dust.
- Hardware may loosen over time. Periodically check to make sure all connections are tight. Re-tighten if necessary.



For items use on wooden floor, hard surfaces or carpets, it is recommended to Install protective pads under all legs and supports to avoid/prevent from damages/scratches and discoloration.