

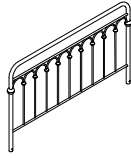
# ASSEMBLY INSTRUCTION

## SH2015F-1 FULL BED

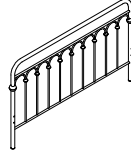
### PART LIST:



**A: Headboard Leg**  
2PCS



**B: Headboard**  
1PC



**C: Footboard**  
1PC



**D: Front Rail Section**  
2PCS



**E: Rear Rail Section**  
2PCS



**F: Front / Rear Support Bar**  
2PCS



**G: Center Support Bar**  
1PC



**H: Front Center Rail**  
1PC



**I: Rear Center Rail**  
1PC



**J: Rail Support Leg**  
2PCS



**K: Center Support Leg**  
3PCS



**L: Slat**  
16PCS



**M: Slat Connector**  
32PCS

### HARDWARE LIST:



**1 : Bolt**  
1/4"X 16mm  
30PCS



**2 : Bolt**  
1/4"X 46mm  
8PCS



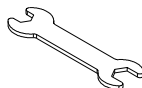
**3 : Bolt**  
1/4"X 36mm  
2PCS



**4 : 1/4"**  
6PCS



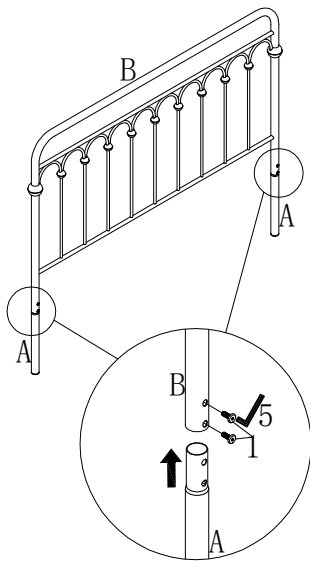
**5 : 4mm**  
1PC



**6 : Wrench**  
1PC

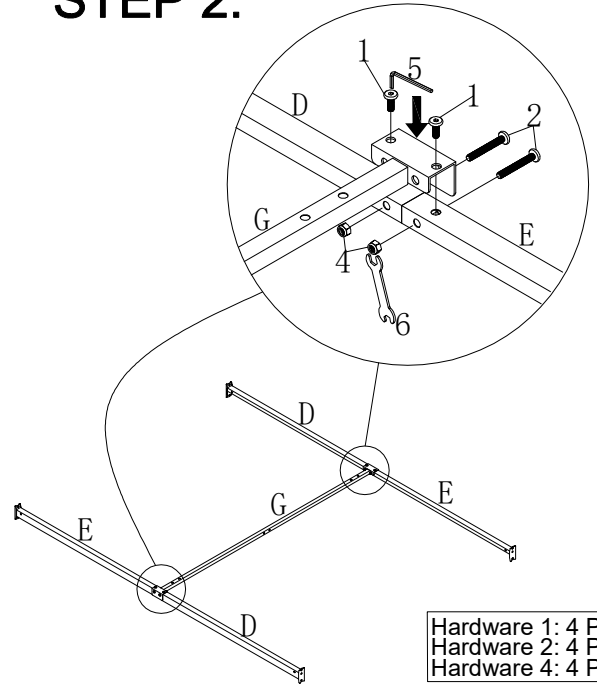
NOTE: PLEASE DO NOT TIGHTEN ALL BOLTS UNTIL THE BED IS ASSEMBLED COMPLETELY.

### STEP 1:



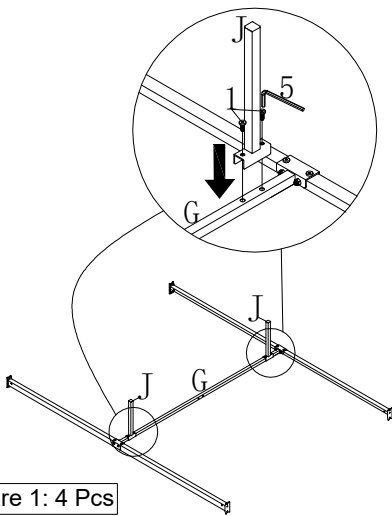
Hardware 1: 4 Pcs

### STEP 2:



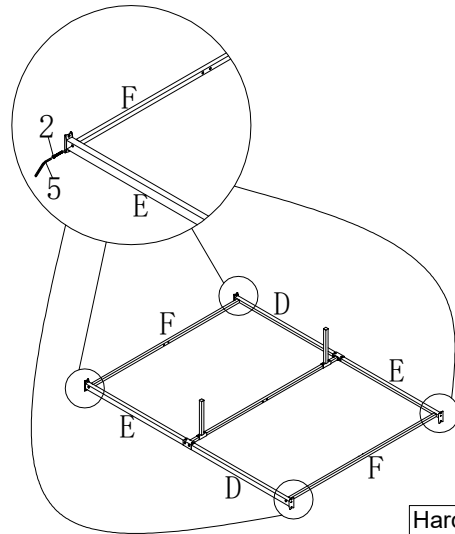
Hardware 1: 4 Pcs  
Hardware 2: 4 Pcs  
Hardware 4: 4 Pcs

### STEP 3:



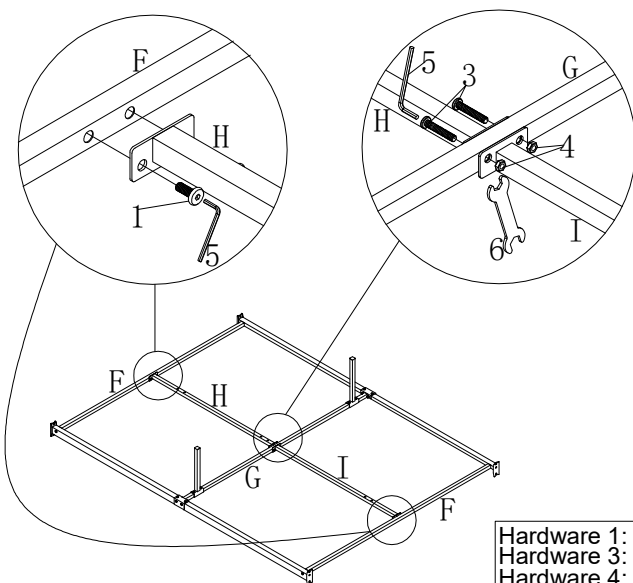
Hardware 1: 4 Pcs

### STEP 4:



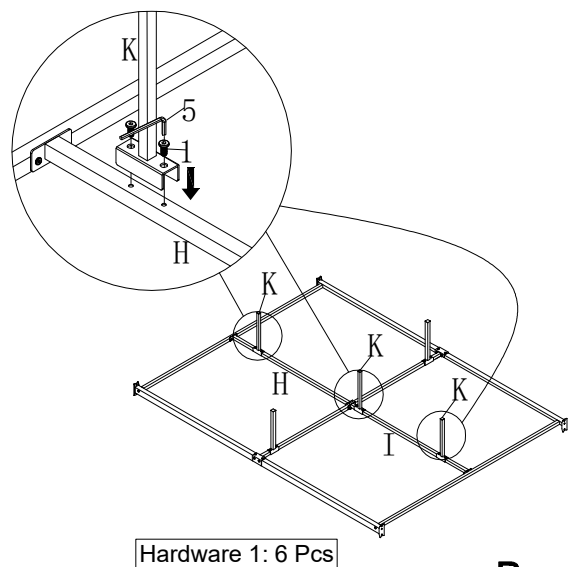
Hardware 2: 4 Pcs

### STEP 5:



Hardware 1: 4 Pcs  
Hardware 3: 2 Pcs  
Hardware 4: 2 Pcs

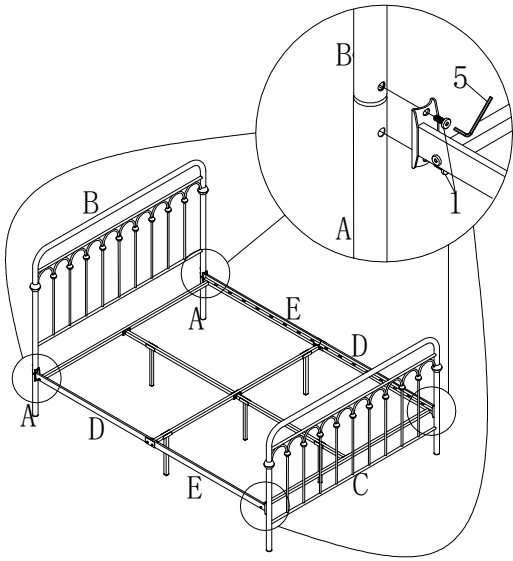
### STEP 6:



Hardware 1: 6 Pcs

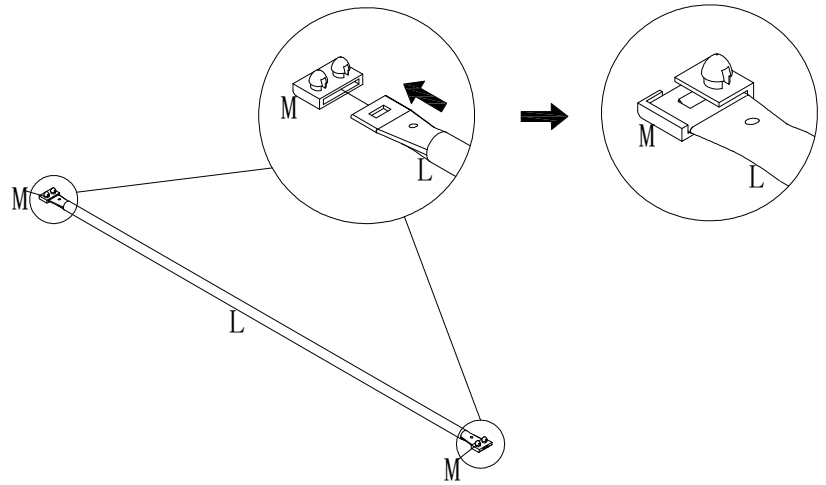
NOTE: PLEASE DO NOT TIGHTEN ALL BOLTS UNTIL THE BED IS ASSEMBLED COMPLETELY.

### STEP 7:

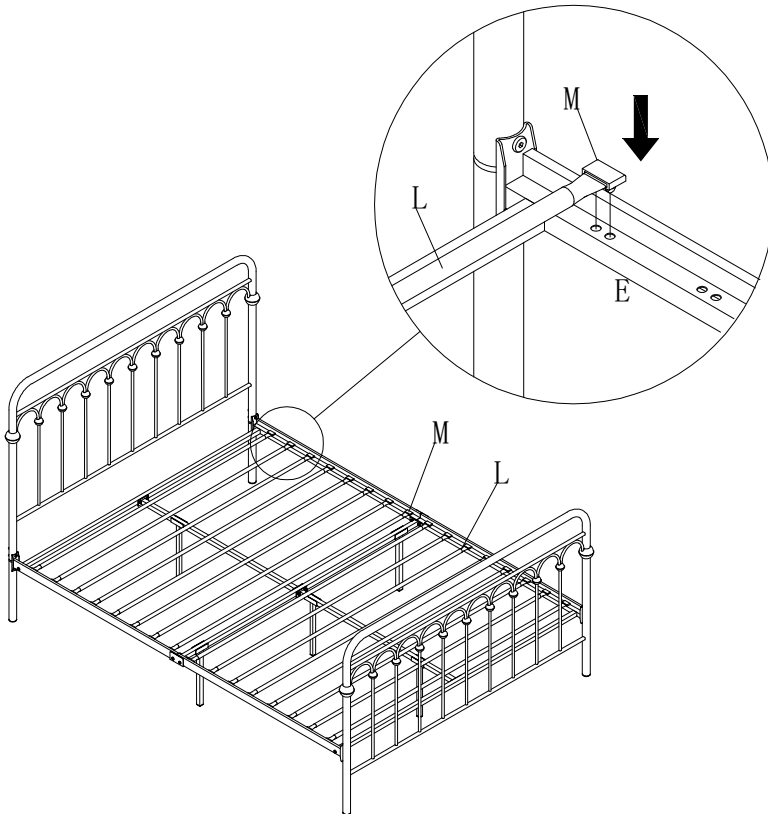


Hardware 1: 8 Pcs

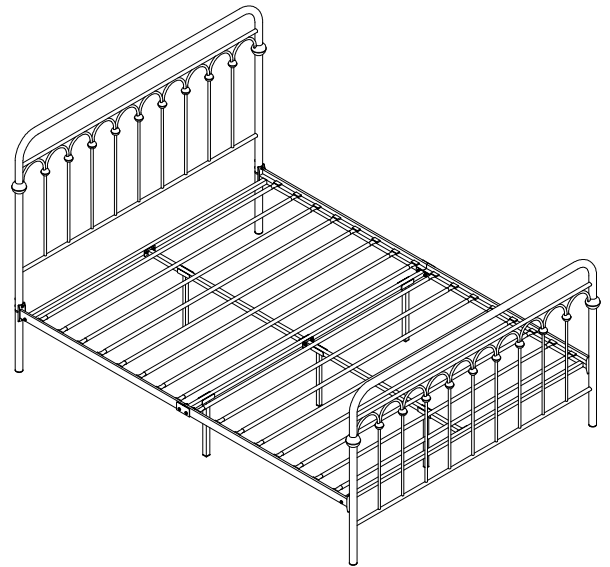
### STEP 8:



### STEP 9:



### COMPLETED:



**!** For items use on wooden floor, hard surfaces or carpets, it is recommended to install protective pads under all legs and supports to avoid/prevent from damages/scratches and discoloration.