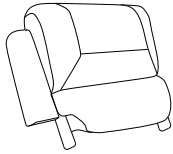


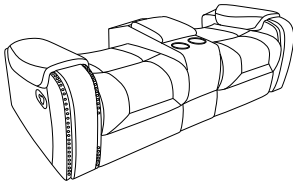


# ASSEMBLY INSTRUCTION

## DOUBLE GLIDER RECLINING LOVE SEAT WITH CENTER CONSOLE, RECEPTACLES AND USB PORT ITEM NO: SH3215BRW-2N

**NOTE: Do not use power tools for assembly. Power tools increase the risk of over tightening which lead to splitting or cracking the wood.**

### COMPONENT LIST

NO.	DRAWING	Q.TY	DESCRIPTION
A		1	LEFT BACKREST
B		1	RIGHT BACKREST
C		1	CONSOLE BACKREST
D		1	SEAT

# Please follow the drawings below to assemble the item.

**Step 1.** Slide inside back receivers into the steel mechanism posts in the base of the furniture (Figure A)

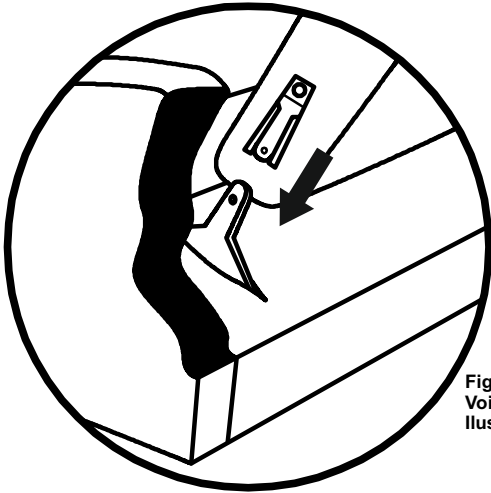
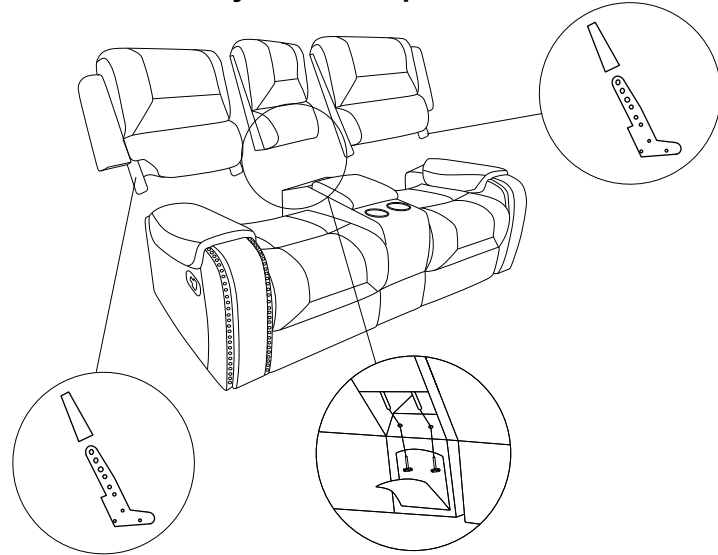


Figure A  
Voir schéma A  
Ilustración A

**Step 2.** Press both sides of the inside back firmly into place. The inside back automatically locks into place.



**Step 3.** To remove the inside backs, use a screwdriver pressing outward on the black tab in the metal sleeve (Figure B) on both sides of the inside back and lift the inside back from the base of the furniture.

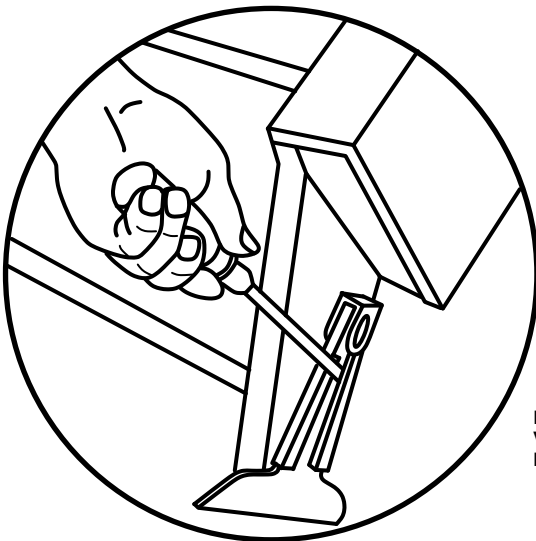
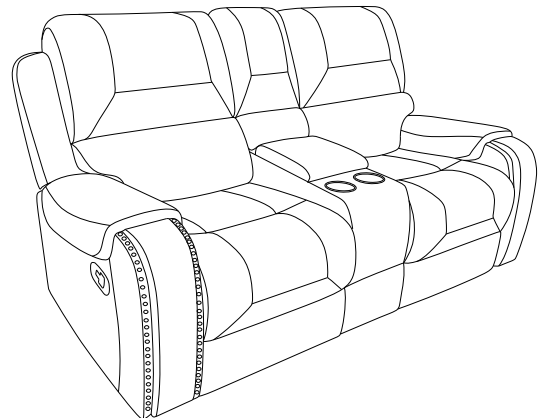
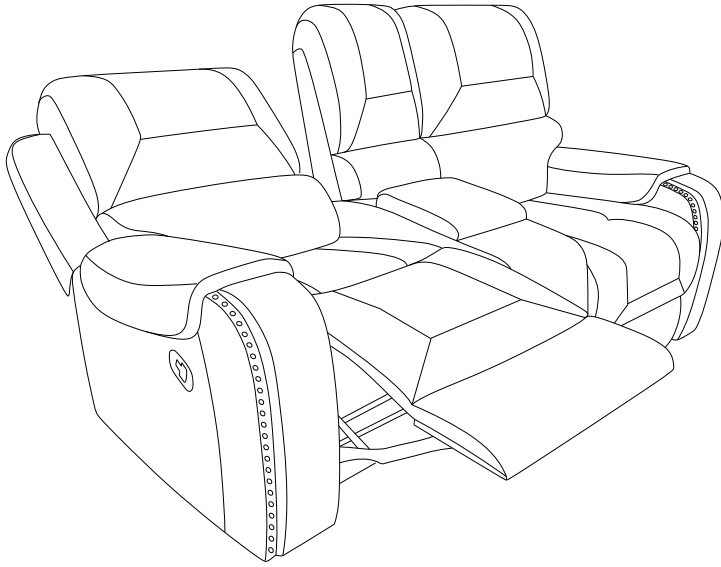


Figure B  
Voir schéma B  
Ilustración B

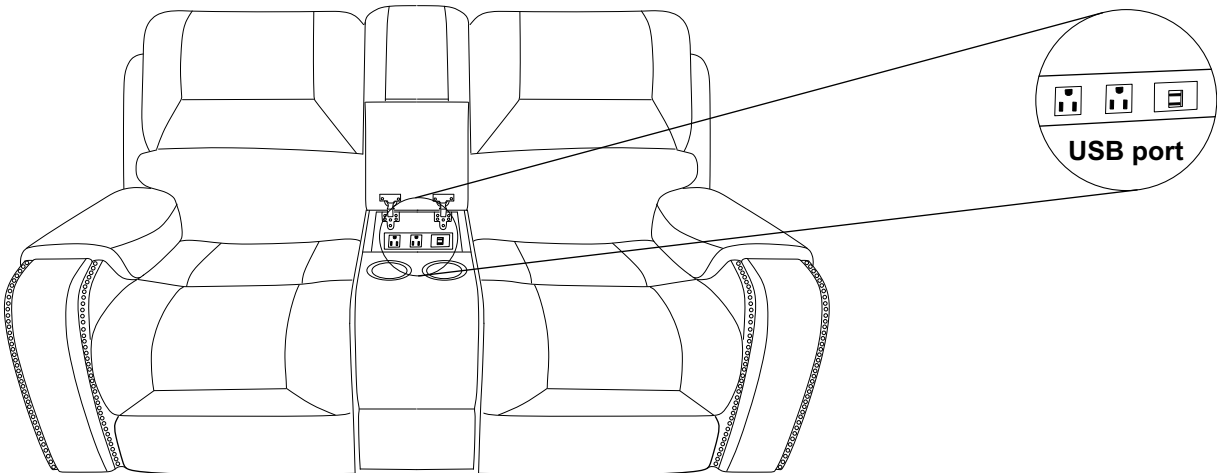
**Step 4. Completed.**



### Step 5. Pull open handle to use reclining function




### Step 6. Pull the middle cushion up to use the USB port.



## CARE INSTRUCTION FOR FABRIC:

In order to maintain the original appearance of your fabric furniture, please follow below simple care procedure:

- Avoid exposing furniture directly to sunlight or heating and air conditioning outlets. Exposure to sunlight or heating and air conditioning outlets will fade/damage fabric.
- Wipe gently with a damp soft cloth to remove dust, dirt and any grime build up.

 It is recommended to install protective pads under all legs and supports to avoid damage or scratches when placing furniture on a wood floor or other hard surface, and to limit indentation and prevent discoloration if placing on carpet.

**PLEASE KEEP ASSEMBLY INSTRUCTION FOR FUTURE REFERENCE**