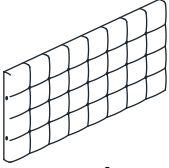
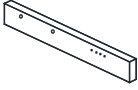
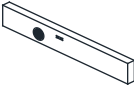
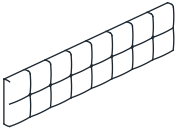
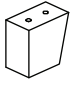
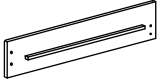

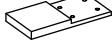






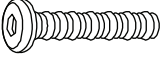
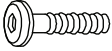
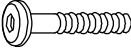
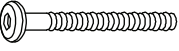






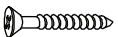


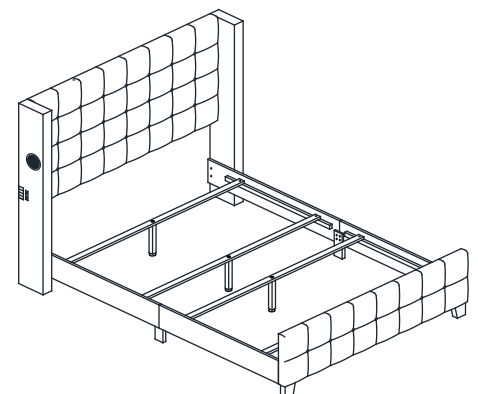


ASSEMBLY INSTRUCTION

SH2618BLK-1/SH2618DGR-1/SH2618BLU-1

1 Headboard  x1	2 Headboard Post (L)  x1	3 Headboard Post (R)  x1	4 Footboard  x1	5 Footboard Leg  x2
6 Front Side Rail (L/R)  x2	7 Back Side Rail (L/R)  x2	8 Side Rail Support Leg  x2	9 Slat  x4	10 Support Leg with adjustable feet  x4
11 USB Plug  x1	12 Speaker Plug  x1	13 USB Cable  x1	A Bolts M8 x 20mm  x4	B Bolts M8 x 50mm  x4
C Bolts M6 x 25mm  x8	D Bolts M6 x 35mm  x10	E Bolts M6 x 70mm  x2	F Wood Dowel M8 x 30mm  x2	G Wood Dowel M10 x 30mm  x4
H Lock Washer M6 x 12mm  x14	I Flat Washer M6 x 19mm  x14	J Lock Washer M8 x 13mm  x4	K Flat Washer M8 x 22mm  x4	L Screw M4 x 32mm  x8
M Allen Key M5 x 65mm  x1	N Allen Key M4 x 100mm  x1			

This page lists all the contents included in the box. Please take the time to identify the hardware as well as the individual components to this product. As you unpack and prepare for assembly, place the contents on a carpeted or padded area to protect them from damage.

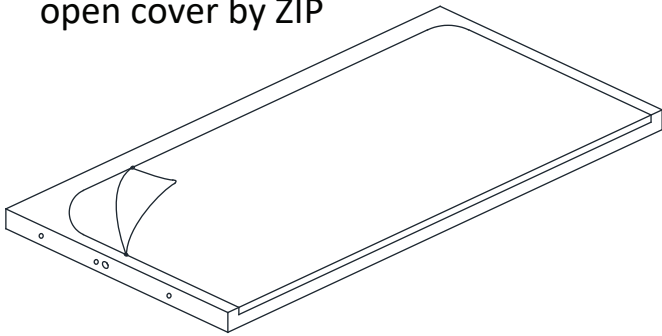


ASSEMBLY INSTRUCTION

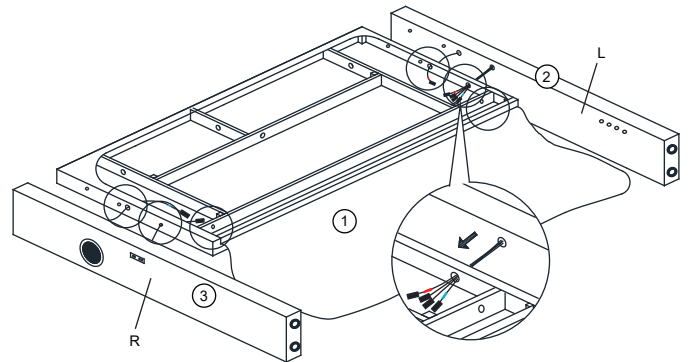
SH2618BLK-1/SH2618DGR-1/SH2618BLU-1

1

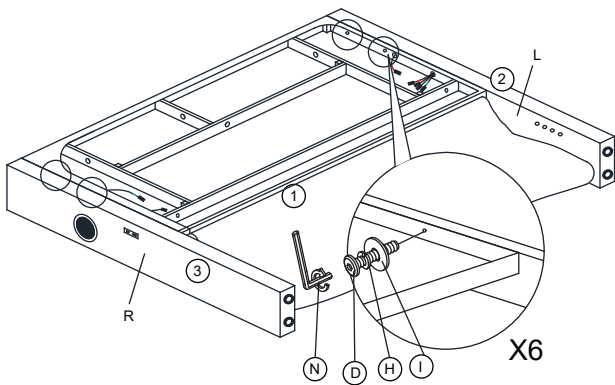
open cover by ZIP



2 Attached 2 wing (2) & (3) to each side of headboard (1) and pull out the wire from the hole of the headboard.



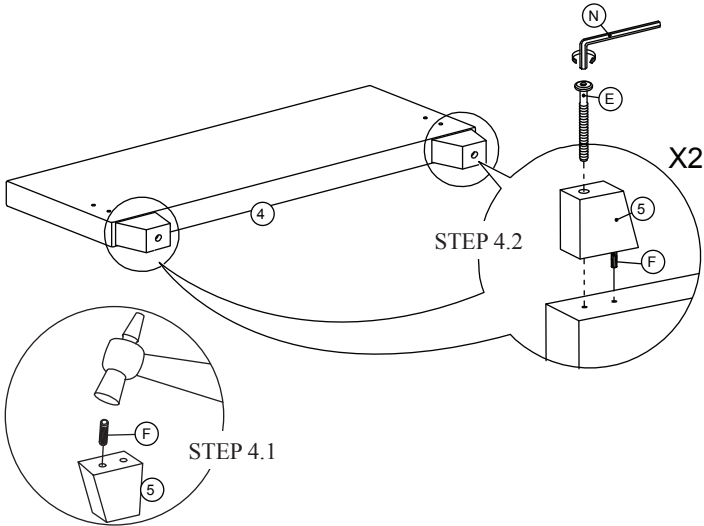
3 Attaching each Wing (2) & (3) to each side of Headboard (1) by aligning the hole and securing with 3 Allen Bolts (D), 3 Lock Washer (H), 3 Flat Washer (I) per side using Allen key (N).



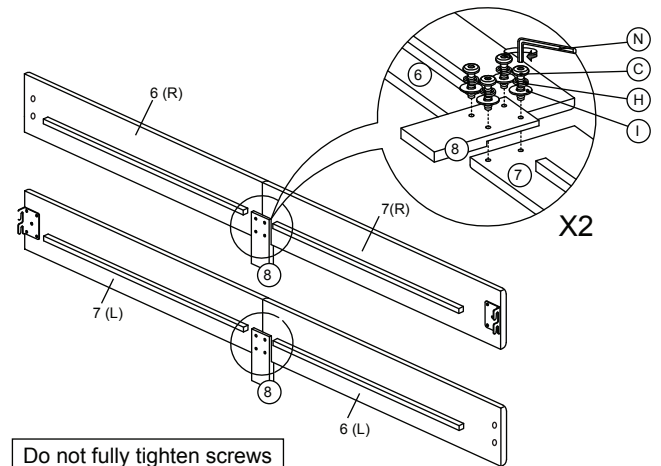
ASSEMBLY INSTRUCTION

SH2618BLK-1/SH2618DGR-1/SH2618BLU-1

- 4** Attach each Footboard Legs (5) to the bottom of the Footboard (4) by inserting a Dowel (F) & securing with 1 Allen Bolt (E) per leg using Allen Key (N).

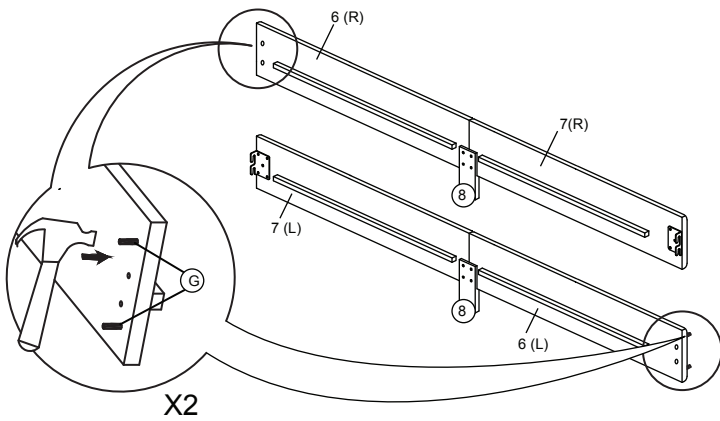


- 5** Attach Side Rail Support Leg (8) to the join of the Side Rail (6) and Side Rail (7) by securing with 4 Allen Bolts (C), 4 Lock Washer (H), 4 Flat washer (I) per support using Allen Key (N).

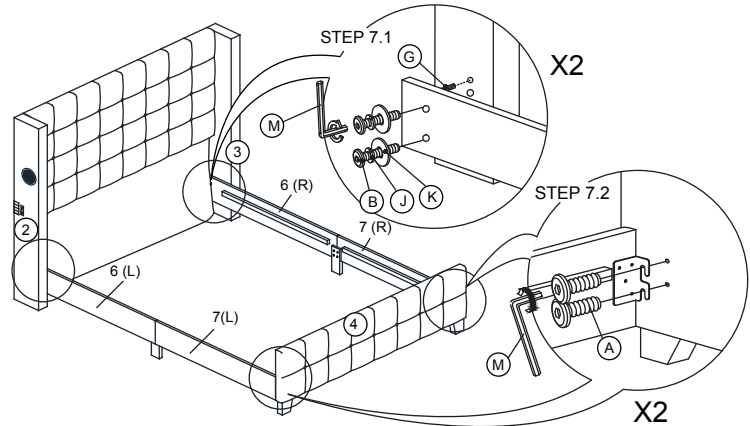


Do not fully tighten screws until assembly is complete and the bed is level.

- 6** Insert Wood Dowel (G) into the LEFT & RIGHT Headboard Front Side Rails 6(R & L), as shown in picture above, and tap lightly/gently using a Hammer or Rubber Mallet (not included)



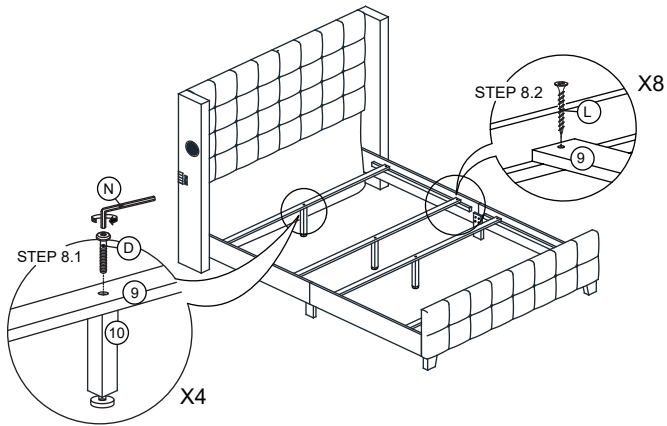
- 7** Attach Side Rail to the Wing (2) & (3) Aligning the holes and securing with 2 Allen Bolts (B), 2 Lock Washer (J), 2 Flat Washer (K) each side using Allen Key (M) Attached Side Rail to Footboard (4) by securing with 2 Allen Bolts (A) using Allen Key (M).



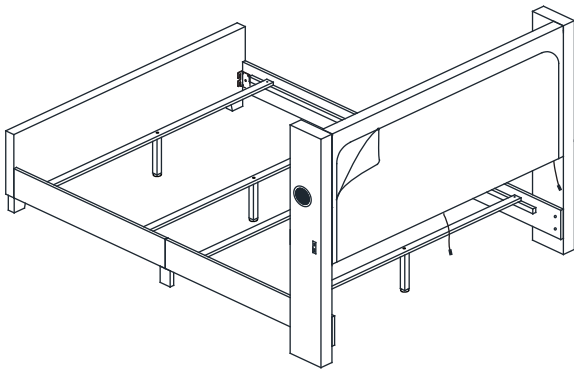
ASSEMBLY INSTRUCTION

SH2618BLK-1/SH2618DGR-1/SH2618BLU-1

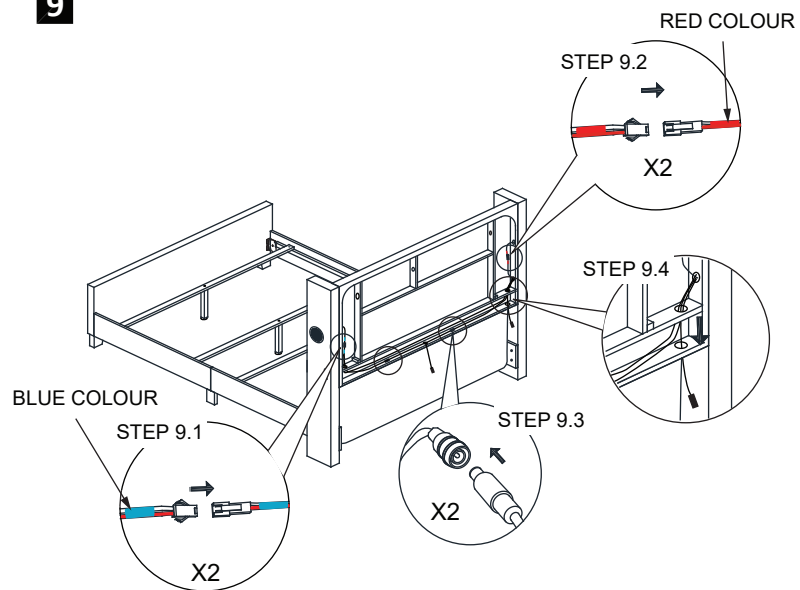
8 Attach Support Legs (10) to Slat (9) by securing with 1 Allen Bolt (D) per support leg. Attach Slat (9) to Side Rail by securing with 1 Screw (L) each side. Tighten all screws using philips head screw driver (NOT INCLUDED). Tighten all bolts using Allen Key (N).



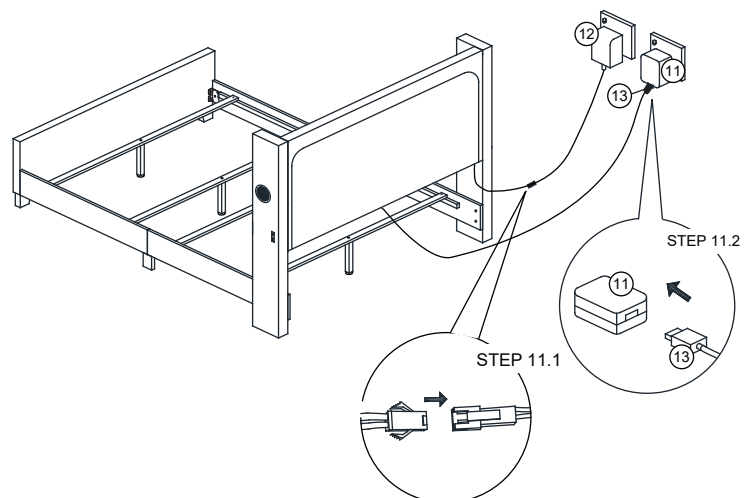
10



9



11



Cleaning & Care

Treat surface with care. Surface is resistant to scratches but is not scratch resistant. Clean surfaces with a dry or damp soft cloth. Do not use abrasive cleaners. Hardware may loosen over time. Periodically check that all connections are tight.