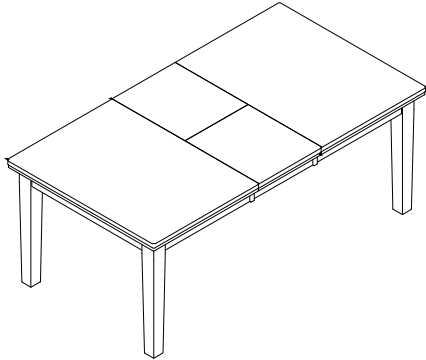




# ASSEMBLY INSTRUCTION

## ITEM NO:SH1171LB-78/SH1171DB-78

### DINING TABLE



Thank you for purchasing this product. Please take time to read and follow instructions below. Check that you have all parts and hardware before assembly. Parts apparently missing are often found in packing materials. If you do not have all parts listed, call us and they be sent to you immediately



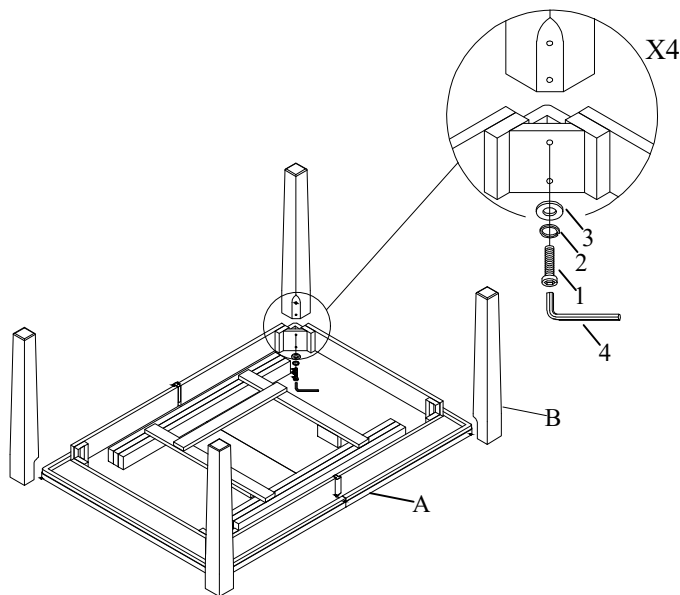
It is recommended to install protective pads under all legs and supports to avoid damage or scratches when placing furniture on a wood floor or other hard surface, and to limit indentation and prevent discoloration if placing on carpet.

PARTS LIST			
NO.	SKETCH	DESCRIPTION	Q'TY
A		TABLE TOP	1PC
B		LEG	4PCS

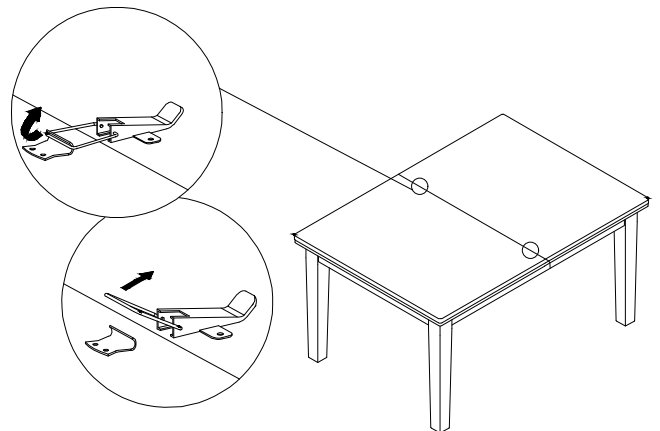
HARDWARE LIST				
NO.	DESCRIPTION	SIZE	SKETCH	Q'TY
1	BOLT	Ø5/16" x 3-1/8"		8PCS
2	LOCK WASHER	Ø5/16"		8PCS
3	FLAT WASHER	Ø5/16" x 3/4"		8PCS
4	ALLEN KEY	1/6" x 2-1/4"		1PC

\*\*ABOVE HARDWARE ARE PACKED IN #SH1171LB-78/SH1171DB-78 FOR ASSEMBLY

### Step 1



### Step 2

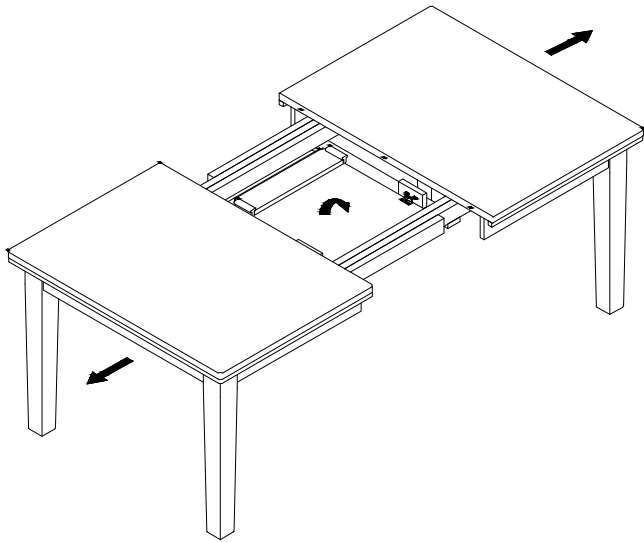


DO NOT TIGHTEN BOLTS UNTIL COMPLETELY ASSEMBLED.  
MADE IN VIETNAM

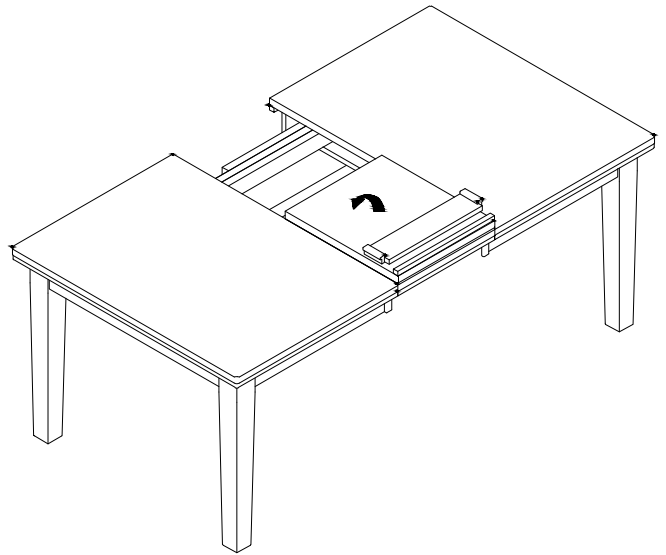


**ASSEMBLY INSTRUCTION**  
**ITEM NO:SH1171LB-78/SH1171DB-78**  
**DINING TABLE**

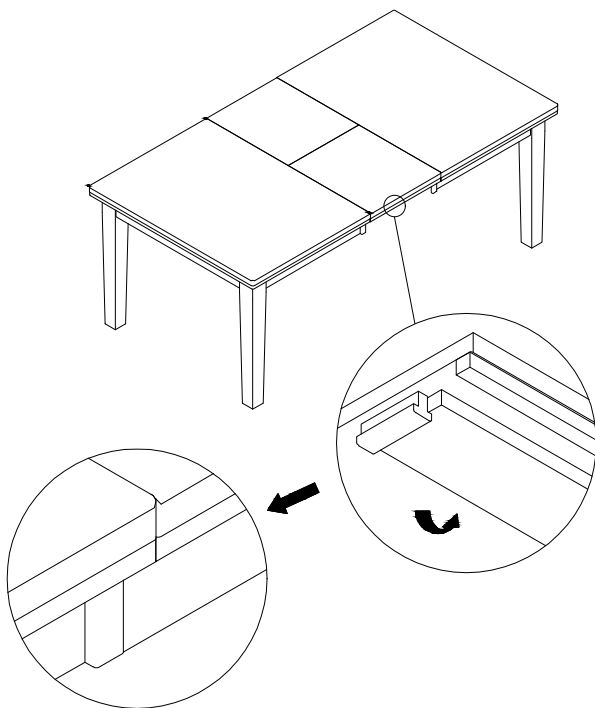
**Step 3**



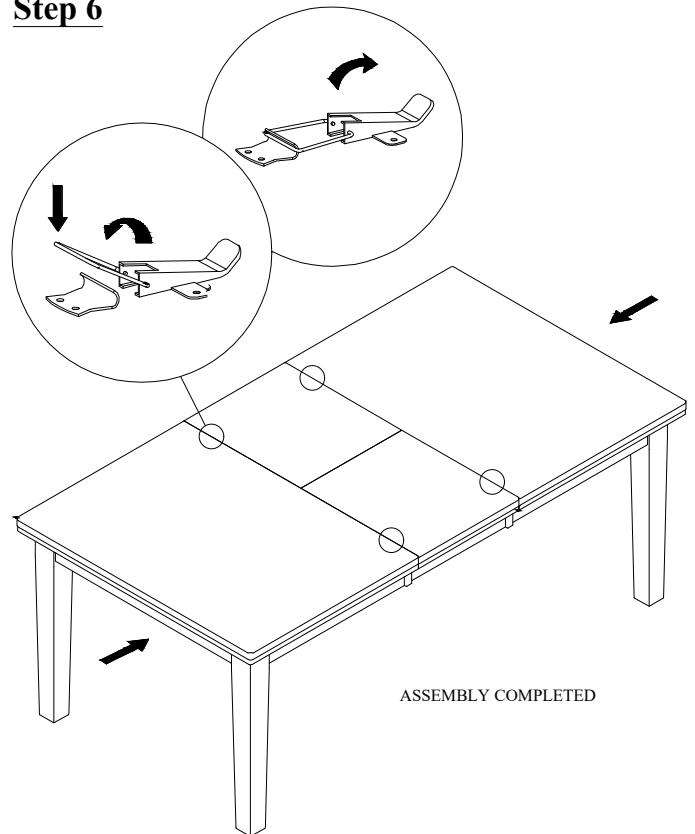
**Step 4**



**Step 5**



**Step 6**



**DO NOT TIGHTEN BOLTS UNTIL COMPLETELY ASSEMBLED.**  
**MADE IN VIETNAM**