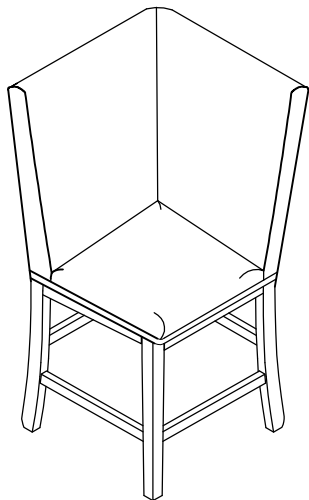




# ASSEMBLY INSTRUCTION

## ITEM NO:SH1185BRN-24CR/SH1185GRY-24CR UPHOLSTERED CORNER COUNTER HEIGHT CHAIR



Thank you for purchasing this product. Please take time to read and follow instructions below. Check that you have all parts and hardware before assembly. Parts apparently missing are often found in packing materials. If you do not have all parts listed, call us and they be sent to you immediately

**!** It is recommended to install protective pads under all legs and supports to avoid damage or scratches when placing furniture on a wood floor or other hard surface, and to limit indentation and prevent discoloration if placing on carpet.

**!** Hardware may loosen over time .Periodically check to make sure all connections are tight. Re-tighten if necessary.

### PARTS LIST

| NO. | SKETCH | DESCRIPTION           | Q'TY |
|-----|--------|-----------------------|------|
| A   |        | CHAIR CORNER BACK     | 1PC  |
| B   |        | FRONT LEG             | 1PC  |
| C   |        | BACK LEG              | 1PC  |
| D   |        | LEFT LEG              | 1PC  |
| E   |        | RIGHT LEG             | 1PC  |
| F   |        | LEFT FRONT STRETCHER  | 1PC  |
| G   |        | RIGHT FRONT STRETCHER | 1PC  |
| H   |        | LEFT BACK STRETCHER   | 1PC  |
| I   |        | RIGHT BACK STRETCHER  | 1PC  |

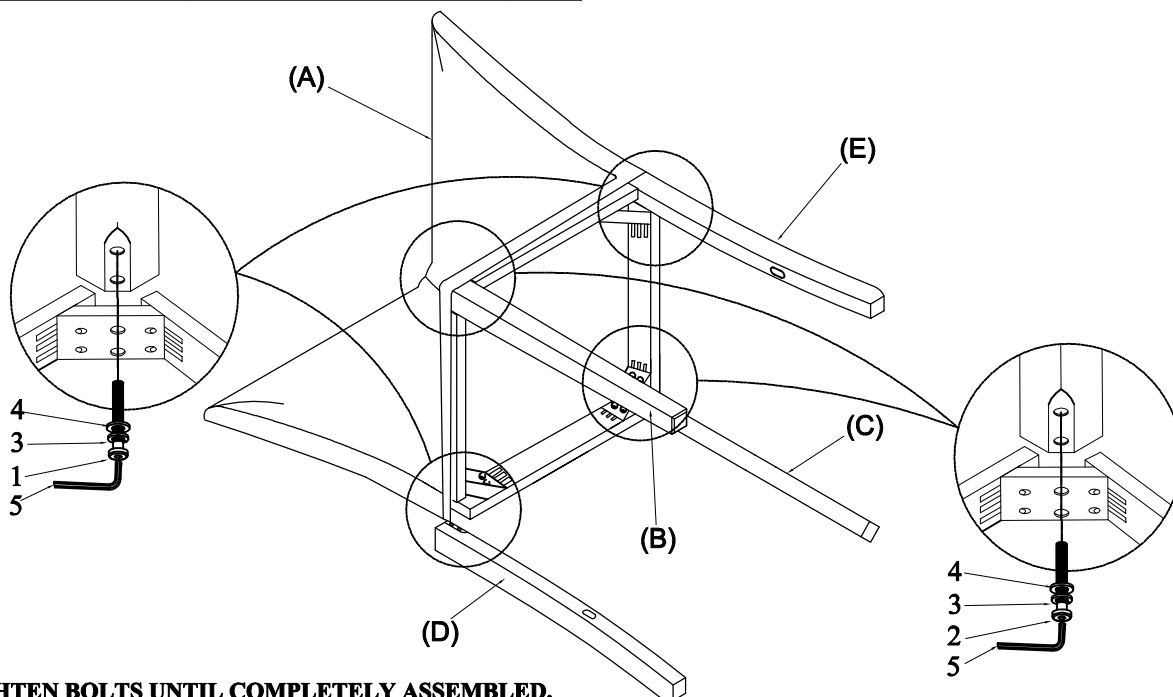
### HARDWARE LIST

| NO. | DESCRIPTION | SIZE           | SKETCH | Q'TY |
|-----|-------------|----------------|--------|------|
| 1   | BOLT        | Ø1/4" x 2"     |        | 4PCS |
| 2   | BOLT        | Ø1/4" x 2-3/8" |        | 4PCS |
| 3   | LOCK WASHER | Ø1/4"          |        | 8PCS |
| 4   | FLAT WASHER | Ø1/4"x 3/4"    |        | 8PCS |
| 5   | ALLEN KEY   | 1/6" x 2-1/4"  |        | 1PC  |
| 6   | WOOD SCREW  | #4*45mm        |        | 8PCS |

\*\*ABOVE HARDWARE ARE PACKED IN #SH1185BRN-24CR/SH1185GRY-24CR FOR ASSEMBLY.

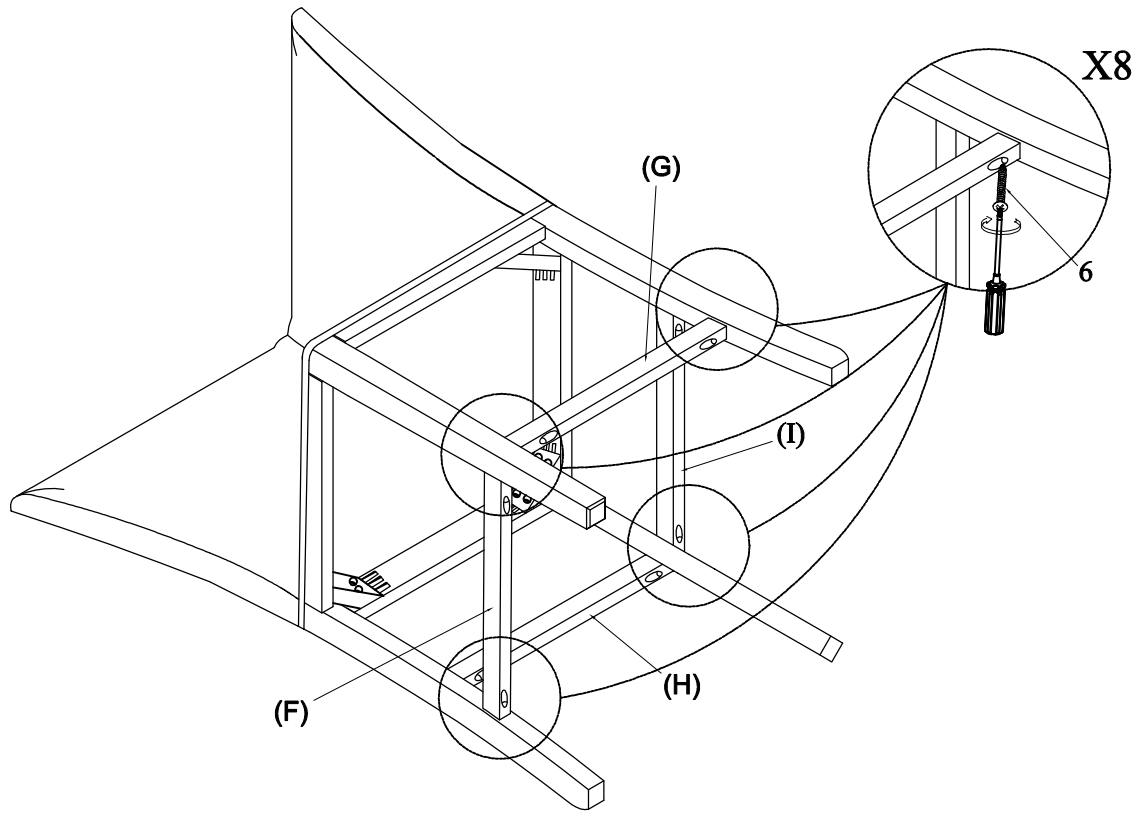
\*\*SCREW DRIVER(NOT PROVIDED)

### Step 1

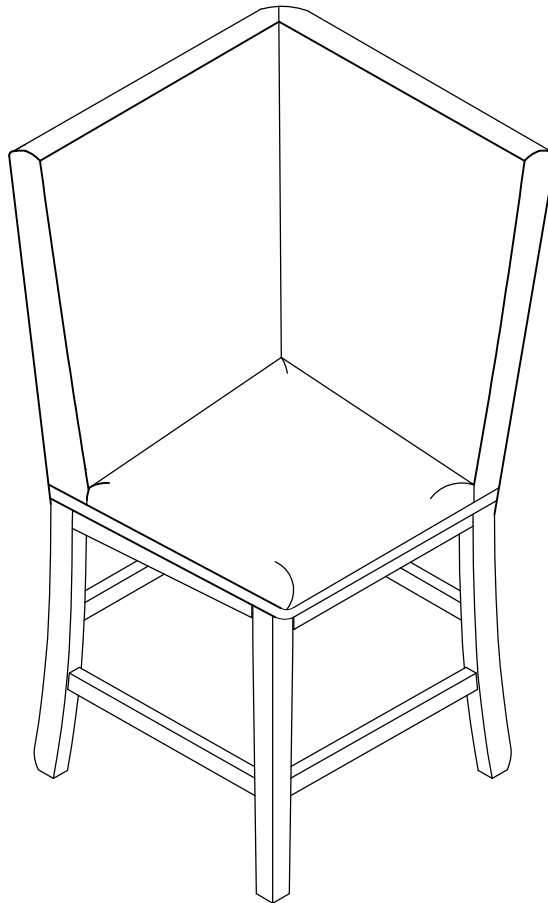


**DO NOT TIGHTEN BOLTS UNTIL COMPLETELY ASSEMBLED.**  
**MADE IN VIETNAM**

**Step 2**



**Step 3**



**ASSEMBLY COMPLETED**