



ASSEMBLY INSTRUCTIONS

GROUP NO.: SH229 QUEEN BED

ITEM NO.: SH229GRY-1 Queen Bed With Grey Fabric
 SH229DGR-1 Queen Bed With Dark Grey Fabric
 SH229BRW-1 Queen Bed With Brown Fabric

Thank you for purchasing this product. Please take time to read and follow the instructions below. Check that you have all parts and hardware before assembly. Parts apparently missing are often found in the packing materials. If you do not have all the parts listed, have your dealer contact us and they be sent to you immediately.

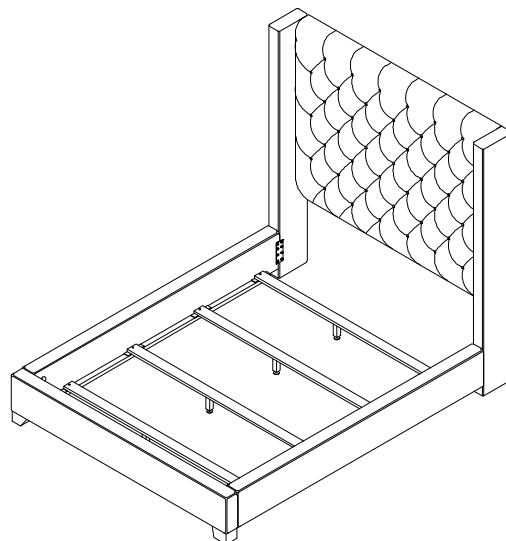
! It is recommended to install protective pads under all legs and supports to avoid damage or scratches when placing furniture on a wood floor or other hard surface, and to limit indentation and prevent discoloration if placing on carpet.

HARDWARE LIST

No.	Description	Sketch	Size	Quantity
1	Flat Washer		5/16"*19*1.5mm	22 PCS
2	Spring Washer		5/16"	22 PCS
3	Allen Bolt		5/16"*1-3/4"	16 PCS
4	Allen Bolt		5/16"*2-1/2"	6 PCS
5	Allen Key		4mm	1 PC
6	Screw		#8x1-3/8"	8 PCS
7	Screwdriver		Not Provided	1 PC
8	Rectangle Plate		(In Hardware Bag)	2 PCS

PARTS LIST

No.	Description	Sketch	Quantity
A	Headboard		1 PC
B	H/B Side Panel (L & R)		2 PCS
C	Footboard		1 PC
D	Bed Side Rail		2 PCS
E	Slats		4 PCS
F	Support Leg		4 PCS





ASSEMBLY INSTRUCTIONS

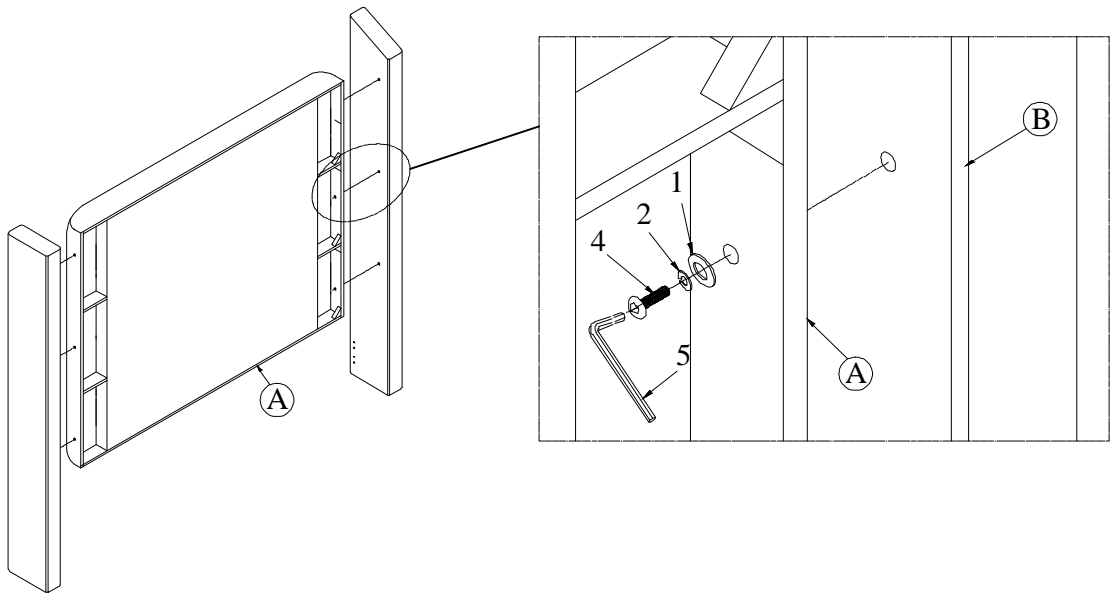
GROUP NO.: SH229 QUEEN BED

ITEM NO.: SH229GRY-1 Queen Bed With Grey Fabric
SH229DGR-1 Queen Bed With Dark Grey Fabric
SH229BRW-1 Queen Bed With Brown Fabric

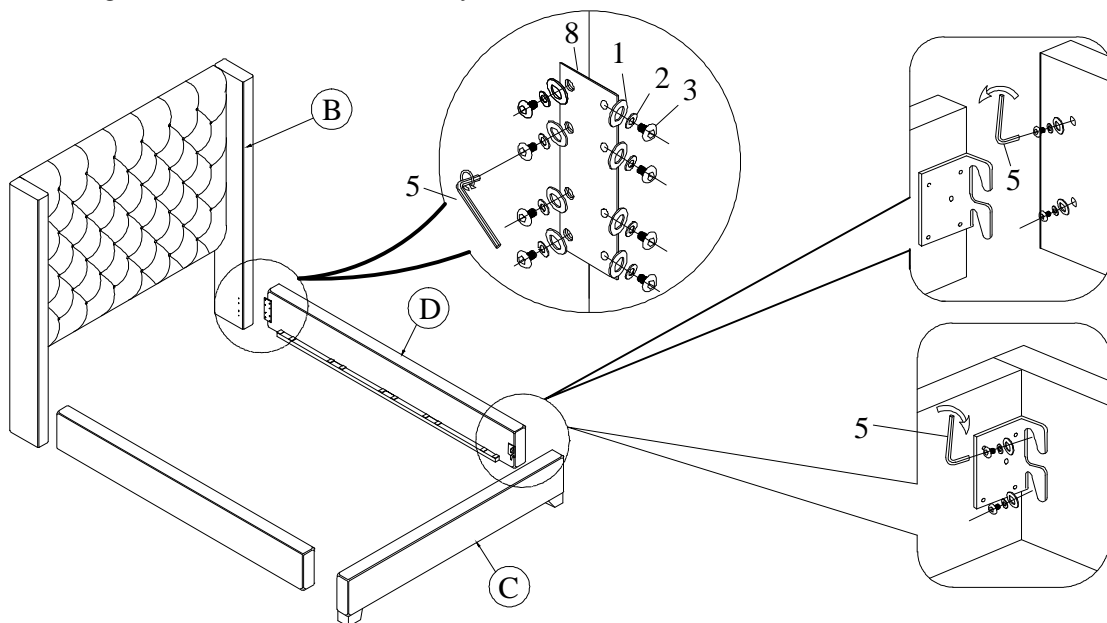
DEAR CUSTOMER,

Caution: Please read all instructions before assembly and check the carton for any parts that may have come loose during shipment. It is recommended to use two or more persons during the assembly process.

Step 1: Attach H/B Side Panel (B) to Headboard (A) by using Allen Bolt (4), Spring Washer (2) and Flat Washer (1), tighten with Allen Key (5).



Step 2: Attach Rectangle Plate (8) to the Bed Side Rail (D) and H/B Side Panel (B) by using Allen Bolt (3), Spring Washer (2) and Flat Washer (1). Unfasten bolts on Footboard (C), then attach Bed Side Rail (D) to Footboard (C), tighten all bolts with Allen Key (5).





ASSEMBLY INSTRUCTIONS

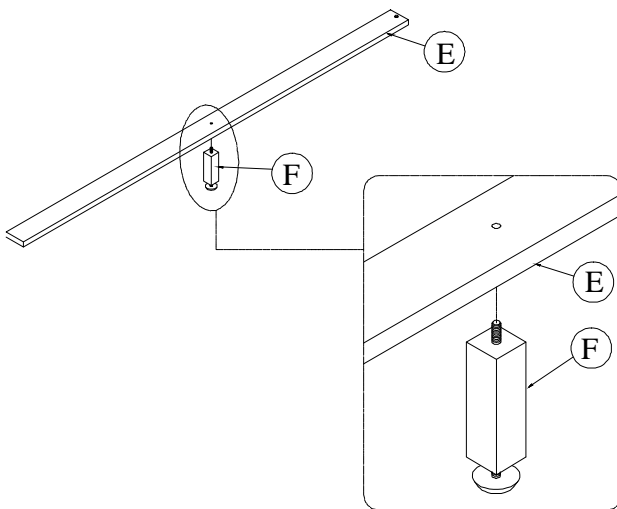
GROUP NO.: SH229 QUEEN BED

ITEM NO.: SH229GRY-1 Queen Bed With Grey Fabric
SH229DGR-1 Queen Bed With Dark Grey Fabric
SH229BRW-1 Queen Bed With Brown Fabric

DEAR CUSTOMER,

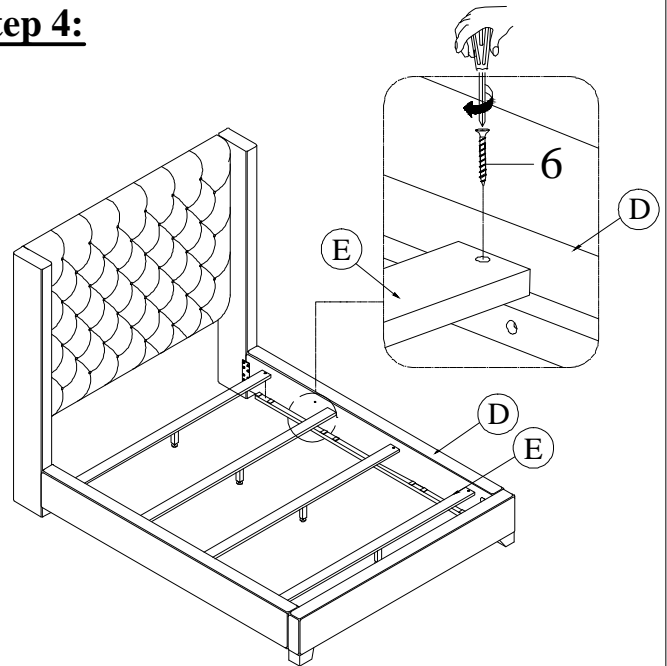
Caution: Please read all instructions before assembly and check the carton for any parts that may have come loose during shipment. It is recommended to use two or more persons during the assembly process.

Step 3:



Step 3: Attach Support Leg (F) to Slat (E).

Step 4:



Step 4: Attach Slat (E) to Bed Side Rail (D) by using Screw (6) and Screw Driver (not include).

