

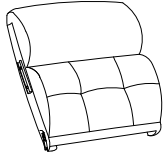
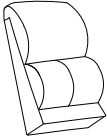
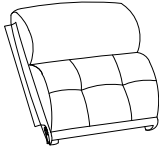
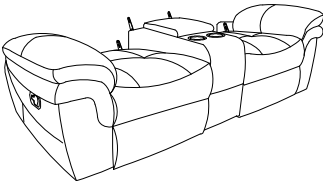

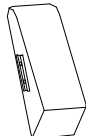
# Assembly Instruction

ITEM NO: SH3214BRW-2

## DOUBLE RECLINING CONSOLE LOVE SEAT

**NOTE: Do not use power tools for assembly. Power tools increase the risk of over tightening which lead to splitting or cracking the wood.**

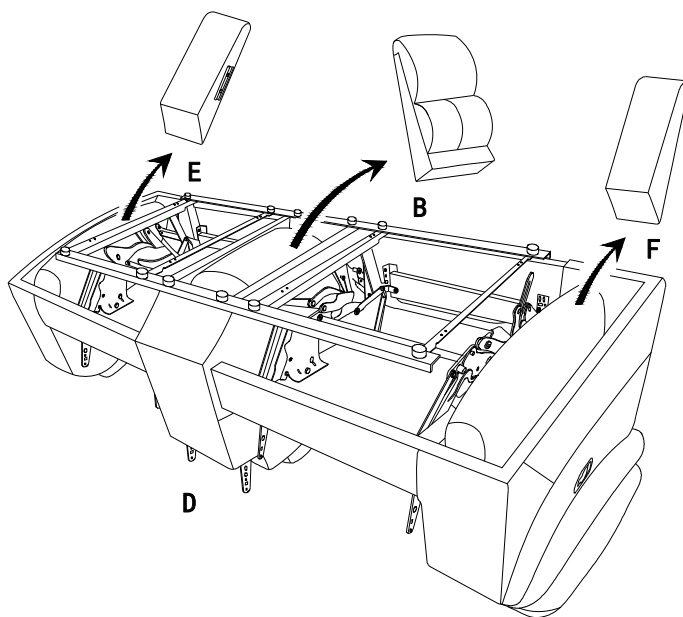
### PARTS LIST

NO.	DRAWING	QTY	DESCRIPTION
A		1	LSF BACK REST
B		1	CONSOLE BACK REST
C		1	RSF BACK REST
D		1	SEAT
E		1	LEFT EAR
F		1	RIGHT EAR

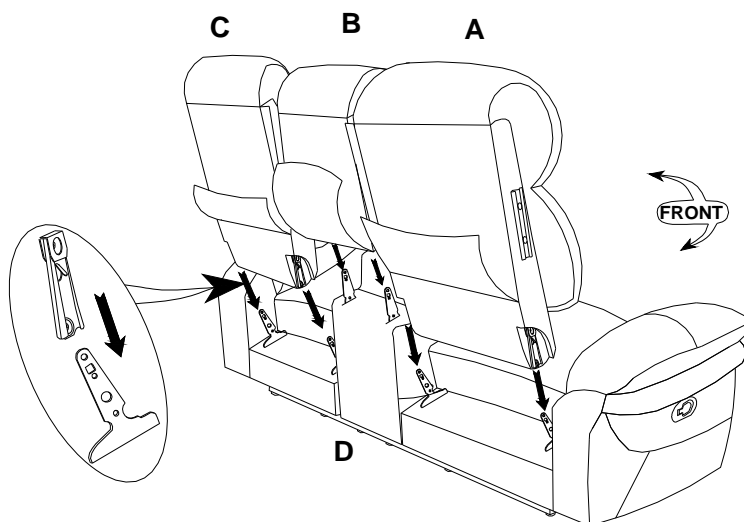
Please follow the below drawings to assemble the item.

Note: Left ear, right ear and console back rest are stored at the bottom of love seat, please take out for assembly

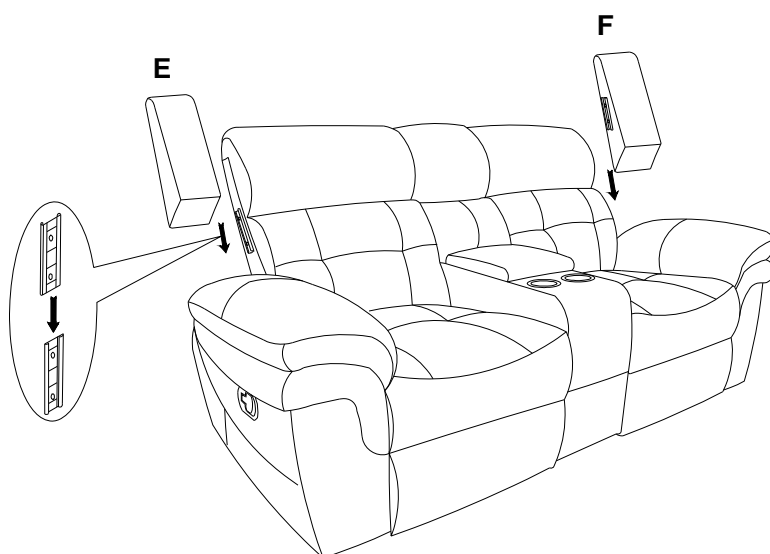
Step 1.



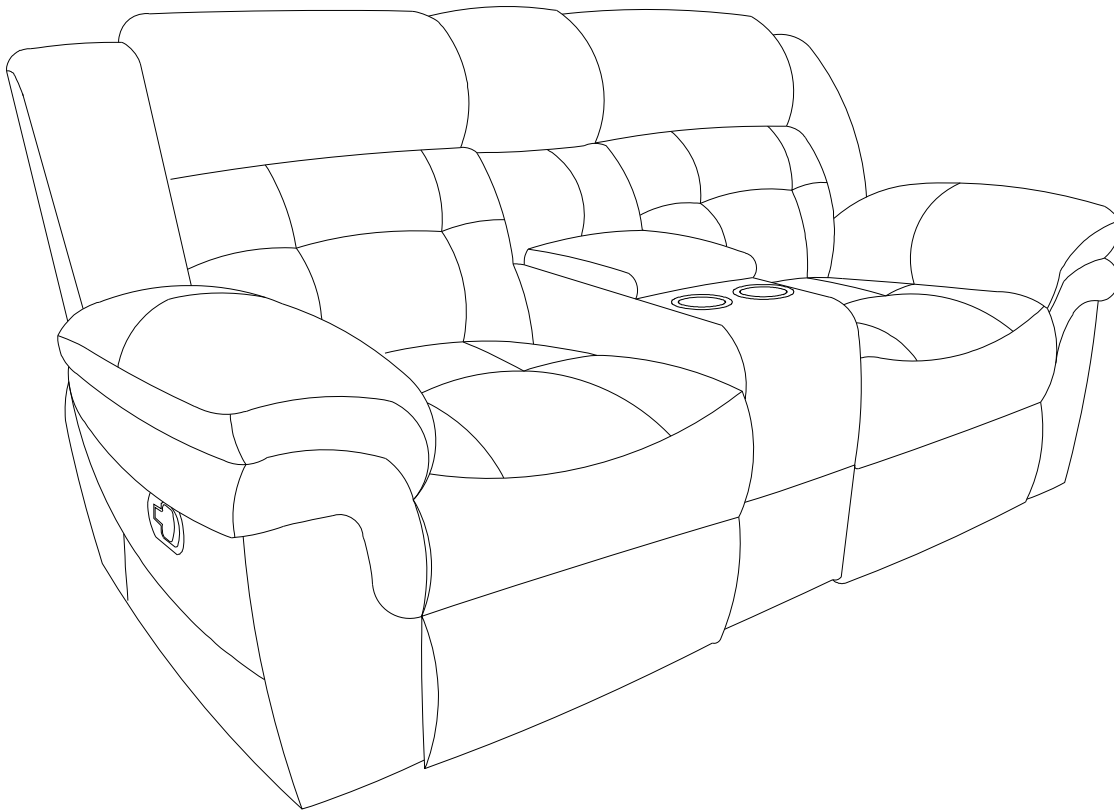
Step 2.



Step 3.



**Completed.**



### **CARE INSTRUCTION FOR POLYESTER FURNITURE:**

**In order to maintain the original appearance of your polyester furniture, please follow below simple care procedure:**

- **Avoid exposing furniture directly to sunlight or heating and air conditioning outlets. Exposure to sunlight or heating and air conditioning outlets will fade/ damage polyester.**
- **Wipe gently with a damp soft cloth to remove dust, dirt and any grime build up.**

 **It is recommended to install protective pads under all legs and supports to avoid damage or scratches when placing furniture on a wood floor or other hard surface, and to limit indentation and prevent discoloration if placing on carpet.**

**PLEASE KEEP ASSEMBLY INSTRUCTION FOR FUTURE REFERENCE**