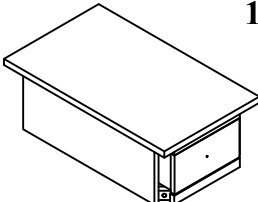
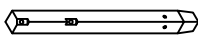
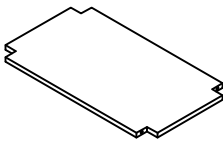


# ASSEMBLY INSTRUCTION








## CHAIRSIDE TABLE

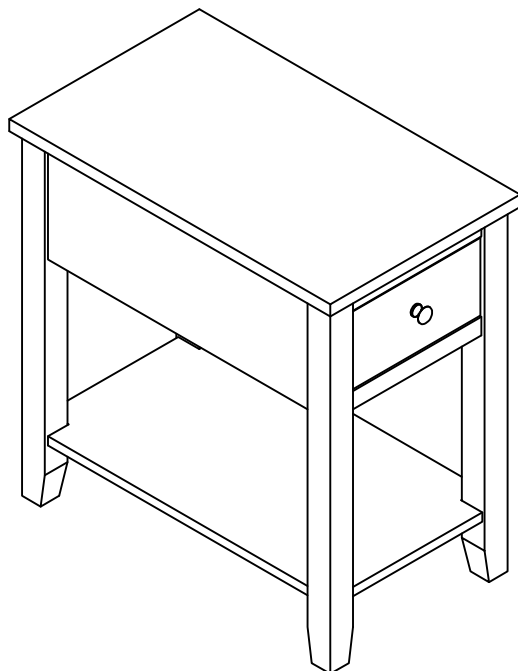
### Item No.: SH840

#### Part List:

<b>1</b>  <b>1x</b> <b>Top With Drawer</b>	<b>2</b>  <b>4x</b> <b>Leg</b>	<b>3</b>  <b>1x</b> <b>Bottom Panel</b>
--	--	--

#### Hardware Illustration

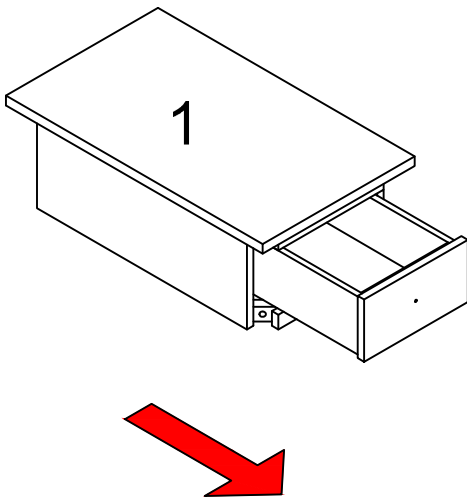
<b>A</b>  <b>Dower Wood</b> <b>M8 x 32mm</b> <b>4x</b>	<b>B</b>  <b>Bolt</b> <b>M6 x 50mm</b> <b>8x</b>	<b>C</b>  <b>Spring Washer</b> <b>8x</b>	<b>D</b>  <b>Flat Washer</b> <b>8x</b>
<b>E</b>  <b>Knob</b> <b>1x</b>	<b>F</b>  <b>Bolt</b> <b>M4 x 30mm</b> <b>1x</b>	<b>G</b>  <b>Allen Key</b> <b>M4 x 60mm</b> <b>1x</b>	



This page lists all the contents included in the box. Please take the time to identify the hardware as well as the individual components to this product. As you unpack and prepare for assembly, place the contents on a carpeted or padded area to protect them from damage.

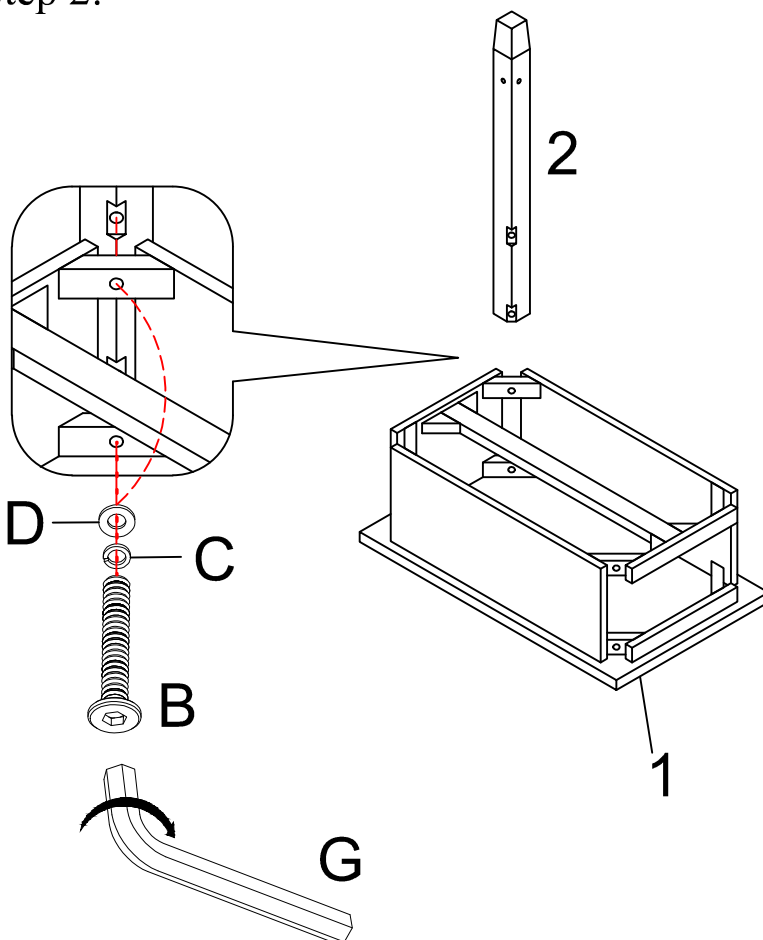
Step 1:

Pull Drawer out of Top (1).

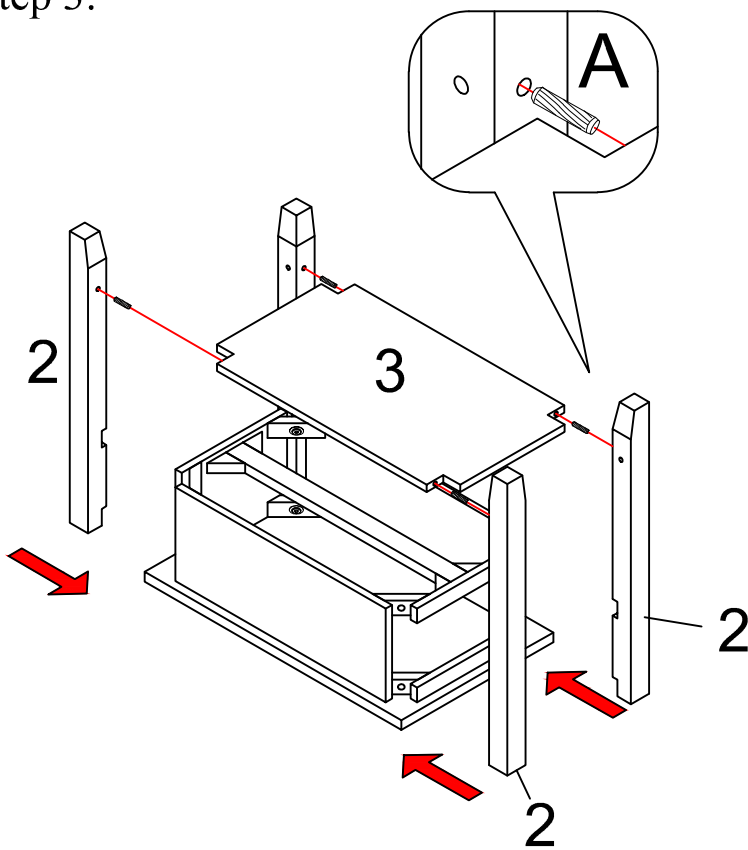


Step 2:

Attach Leg (2) to Top (1) with Bolt (B), Spring Washer (C) and Flat Washer (D). Tighten bolt with Allen wrench (G).

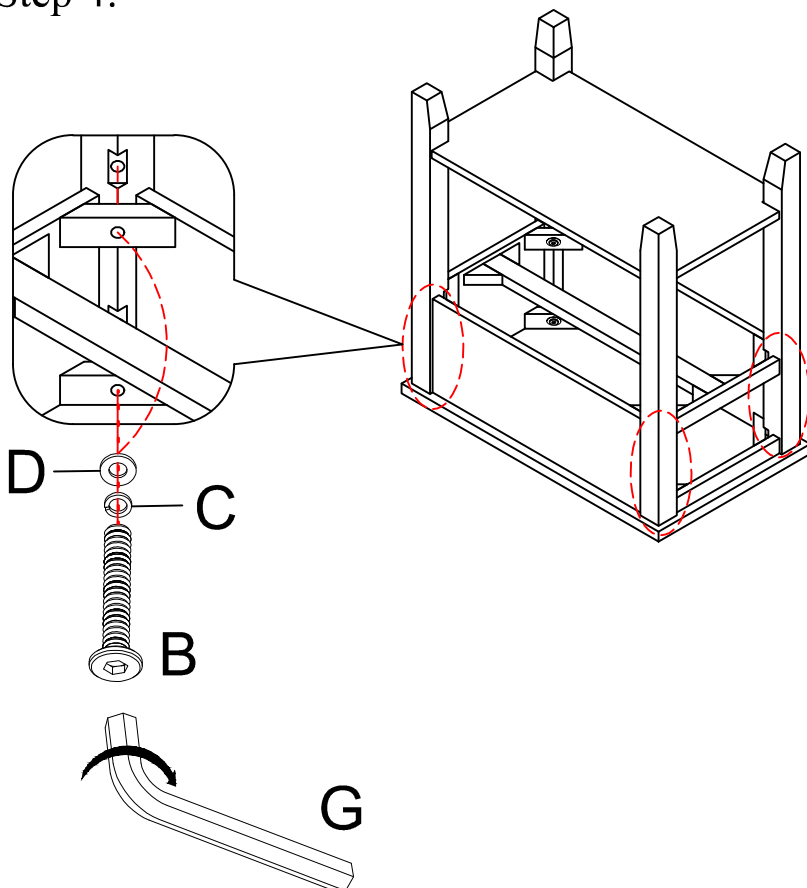


Step 3:



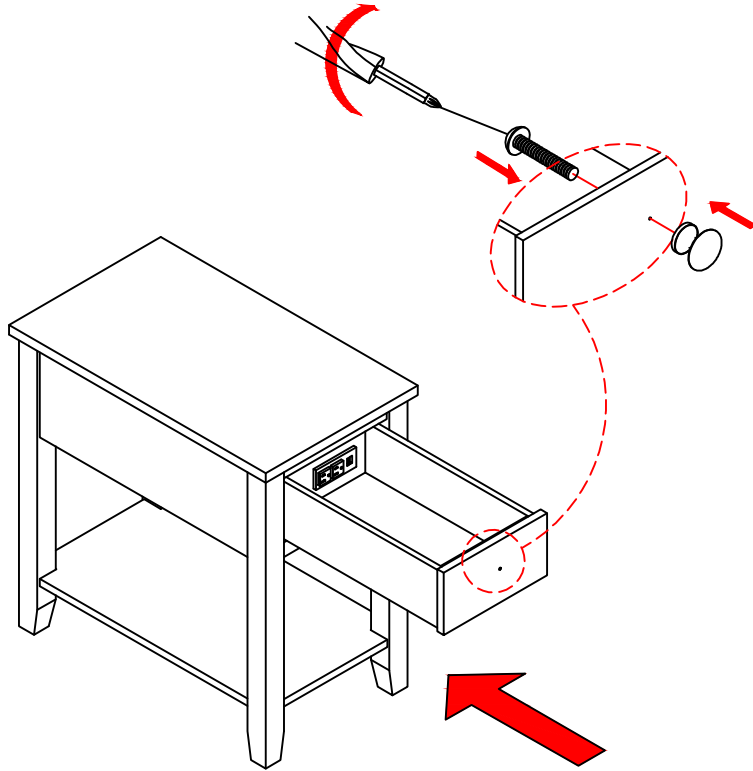
Attach the rest Legs (2) and Bottom panel (3) to pre-assembled unit on Step 2 with Wood dowel (A).

Step 4:



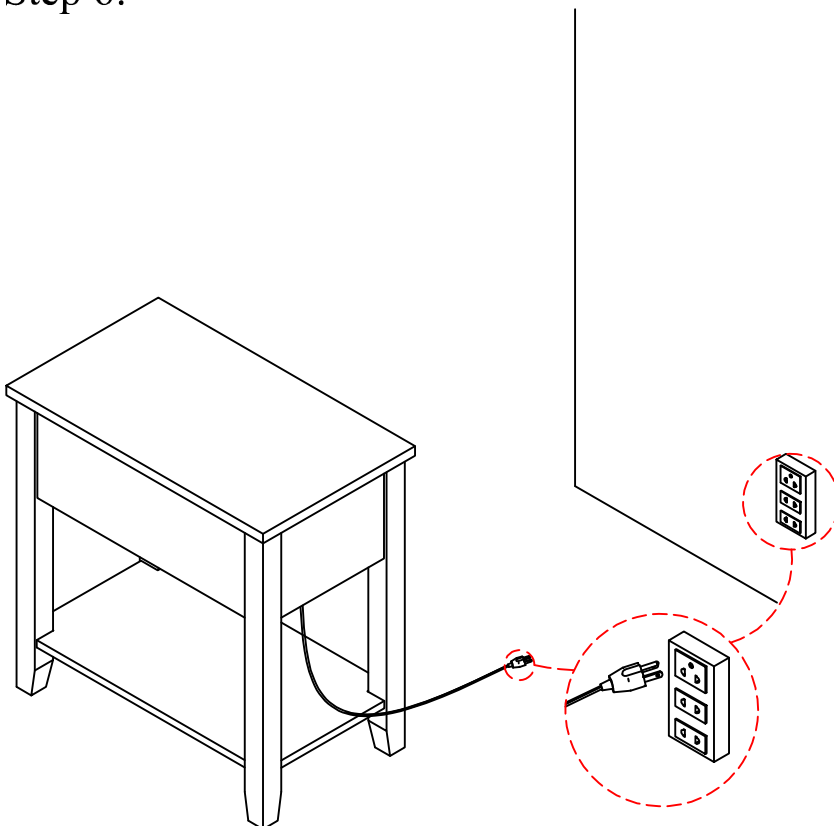
Fix Legs (2) at pre-assembled unit on Step 3 with Bolt (B), Spring Washer (C) and Flat Washer (D). Tighten bolt with Allen wrench (G).

Step 5:



Attach Knob (E) to Drawer with Bolt (F).  
Push Drawer in pre-assembled unit on Step 4.  
USB port inside Drawer.

Step 6:



Plug put in socket.