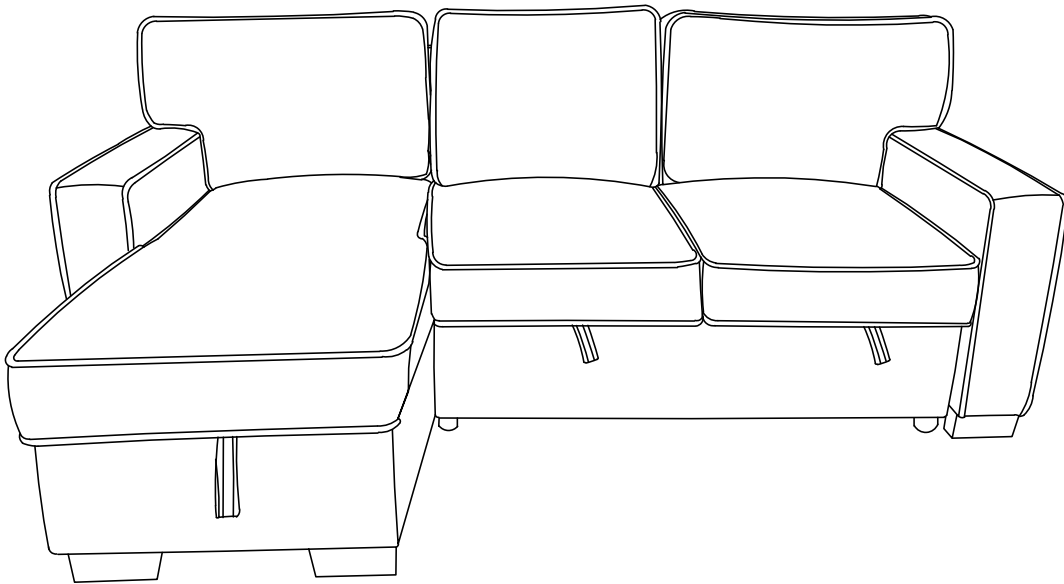





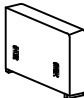
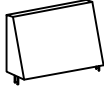



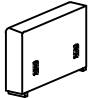
# Assembly Instructions

ITEM NO : SH8891GRY-R RAF BED W/DROP DOWN TABLE&CUP  
HOLDER/USB  
SH8891GRY-L LAF STORAGE CHAISE



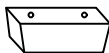
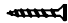



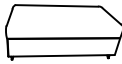

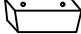



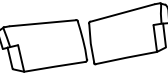
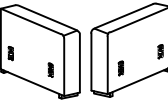
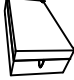


# ASSEMBLY INSTRUCTIONS

## PARTS LIST

PART	DRAWING	DESCRIPTION	QTY	PART	DRAWING	DESCRIPTION	QTY
A		Love seat	1	B		Dropdown Table Backrest	1
C		RAF Back Cushion	1	D		RIGHT Arm	1
E-1		Chaise Backrest	1	E-2		Backrest	1
F		Chaise	1	G		LAF Back Cushion	1
H		LEFT Arm	1				

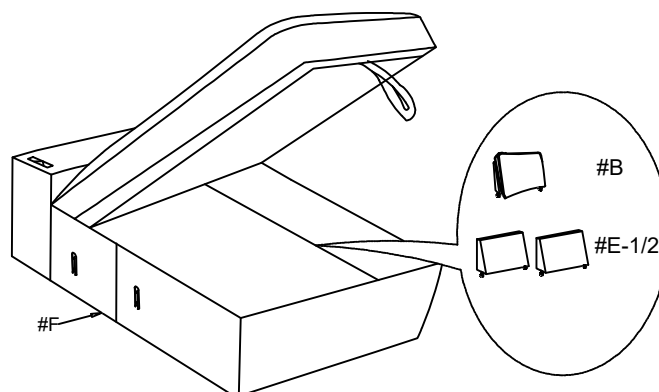
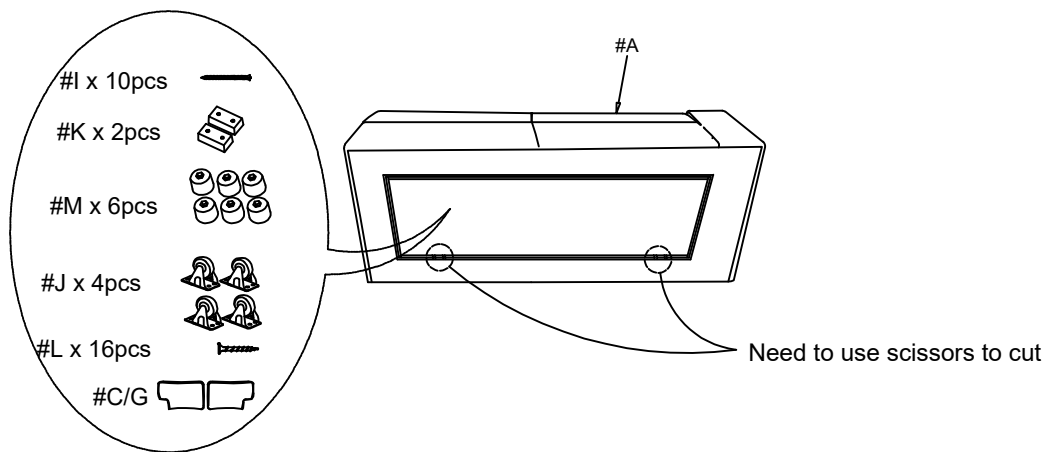
## HARDWARE LIST

PART	DRAWING	DESCRIPTION	QTY	PART	DRAWING	DESCRIPTION	QTY
I		Screw M8 x 55mm	10	J		Roller	4
K		Legs	2	L		Screw #8 x 25mm	16
M		Legs	6				

Carton	Disignation	Part		Hardware
1	Love seat	#A		 #Ix10pcs  #Kx2pcs  #Mx6pcs  #Jx4pcs  #Lx16pcs
	Cushion (L&R)	#C/G		
	Arm (L&R)	#D/H		
2	Chaise	#F		
	Backrest	#B		
	E-1 Chaise Backrest E-2 Backrest	#E-1/2		

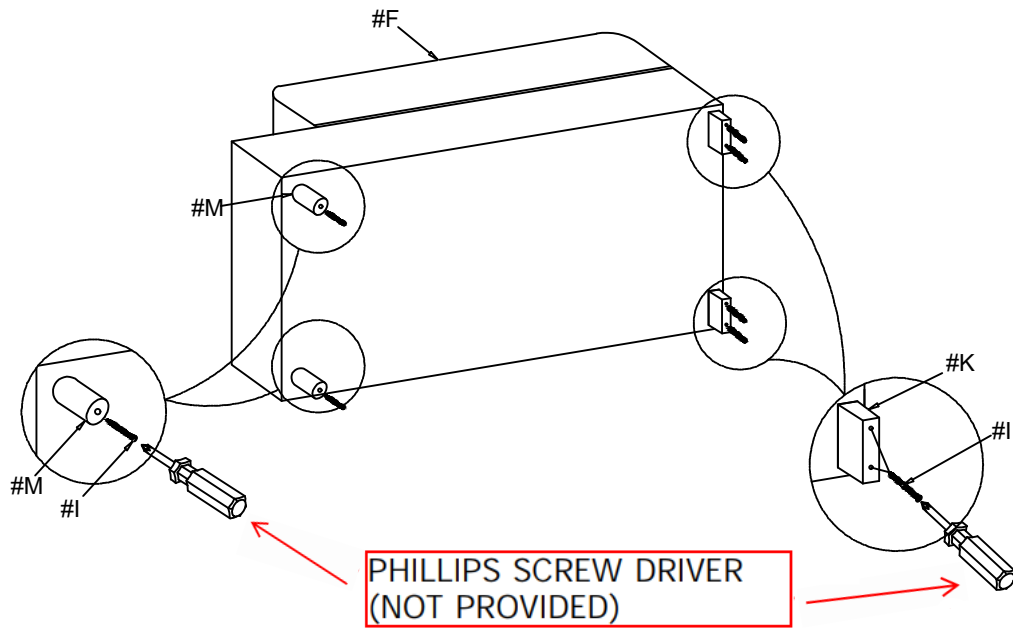
# ASSEMBLY INSTRUCTIONS

THE PARTS ARE LOCATED INSIDE THE BOX AS BELOW:

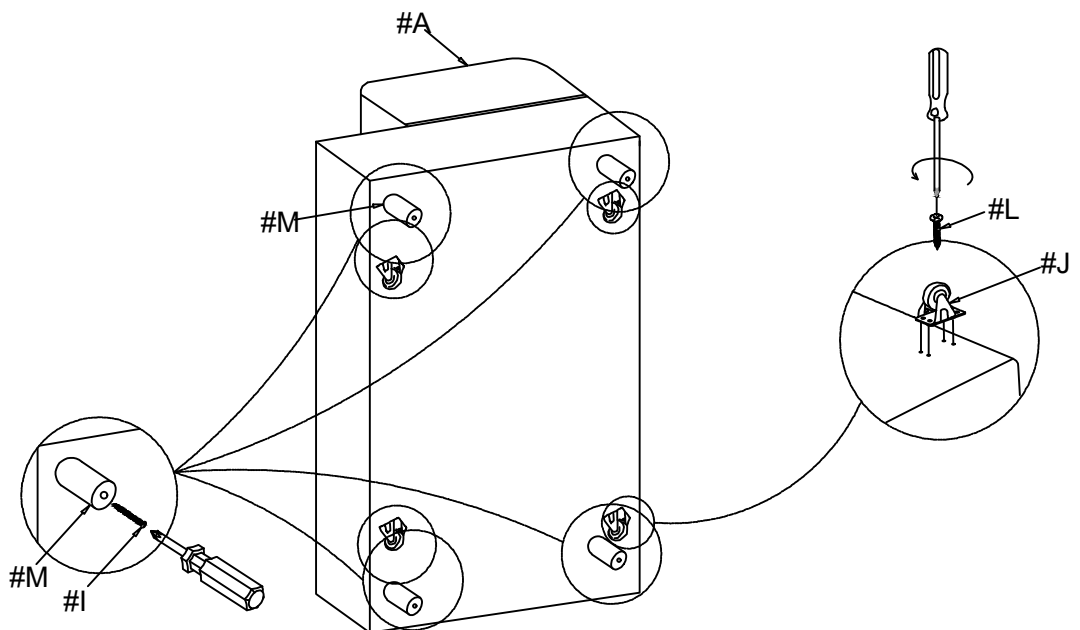


# ASSEMBLY INSTRUCTIONS

## STEP 1

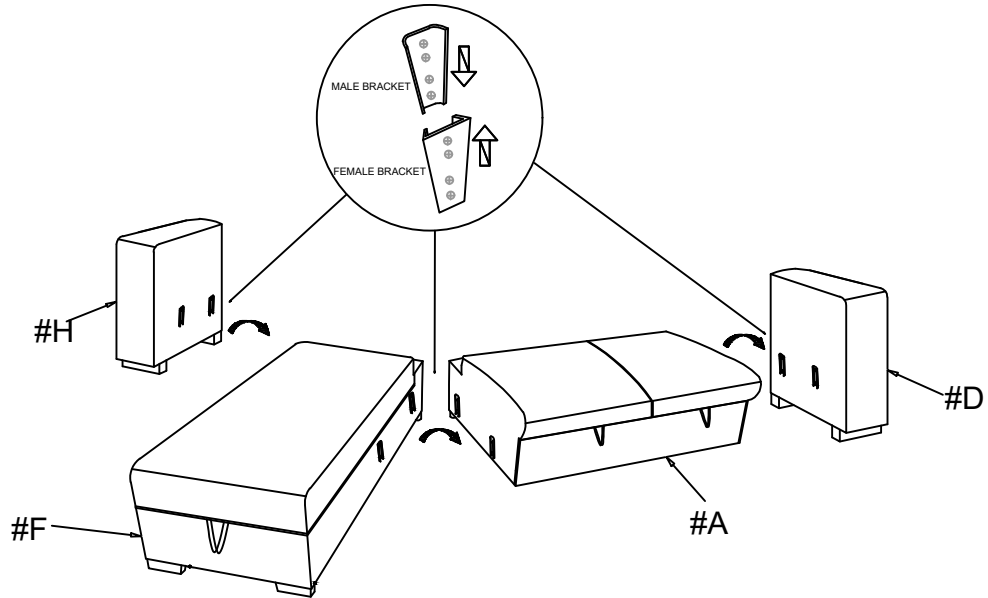


## STEP 2

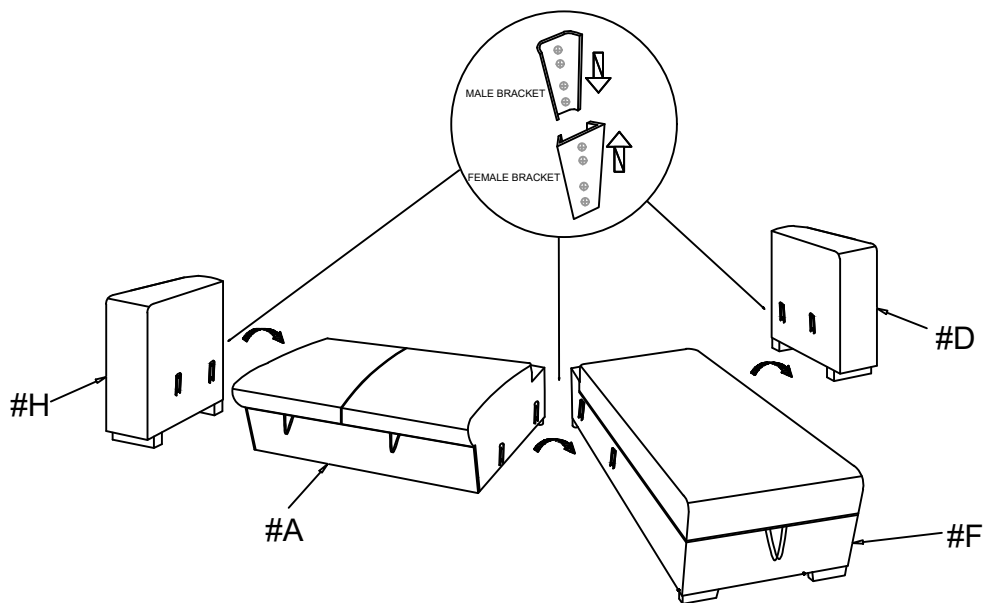


# ASSEMBLY INSTRUCTIONS

## STEP 3

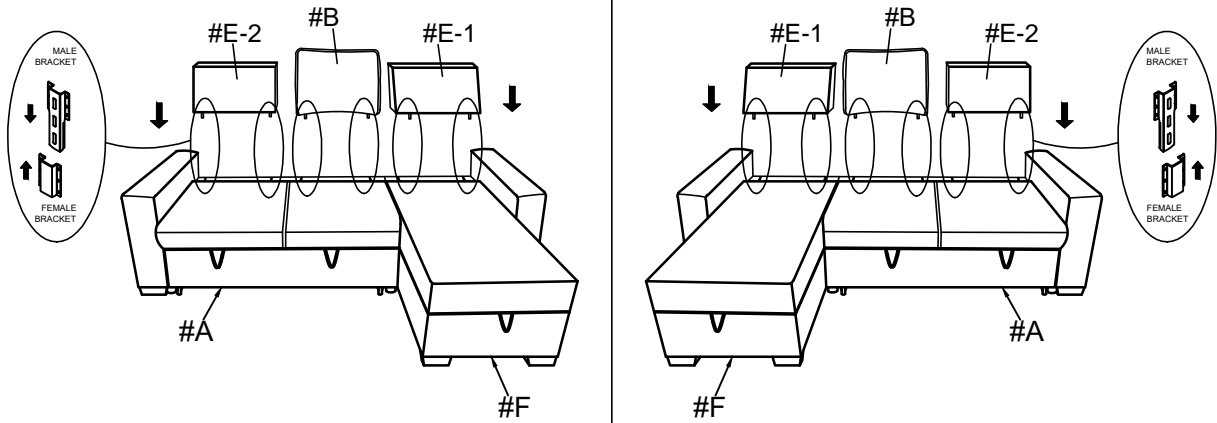


## STEP 4

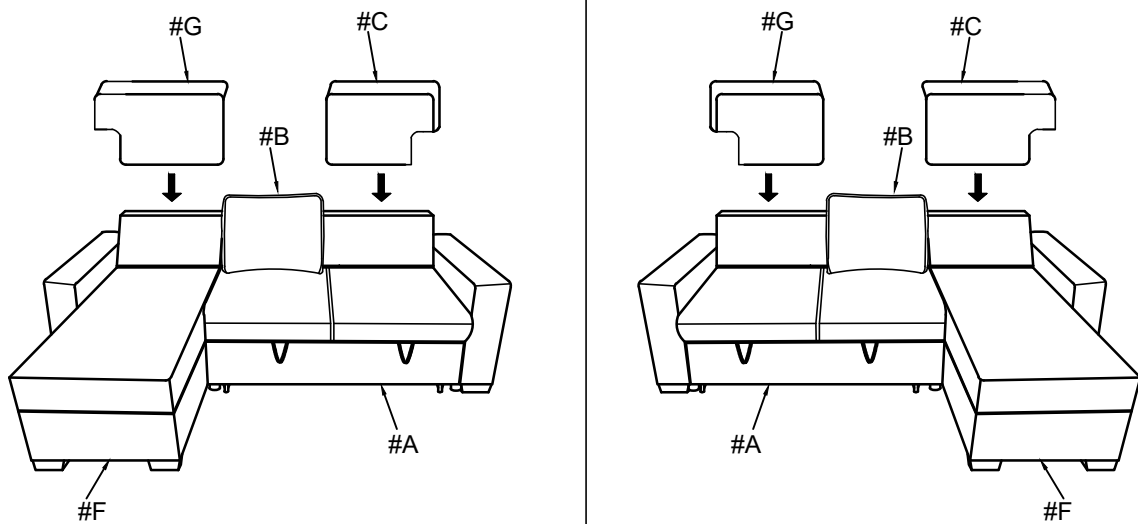


# ASSEMBLY INSTRUCTIONS

## STEP 5

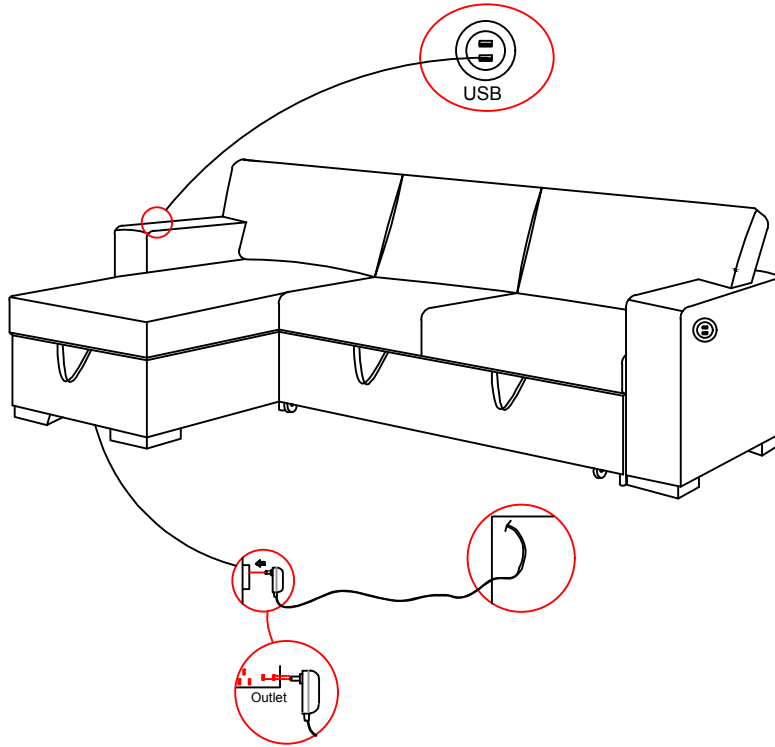


## STEP 6

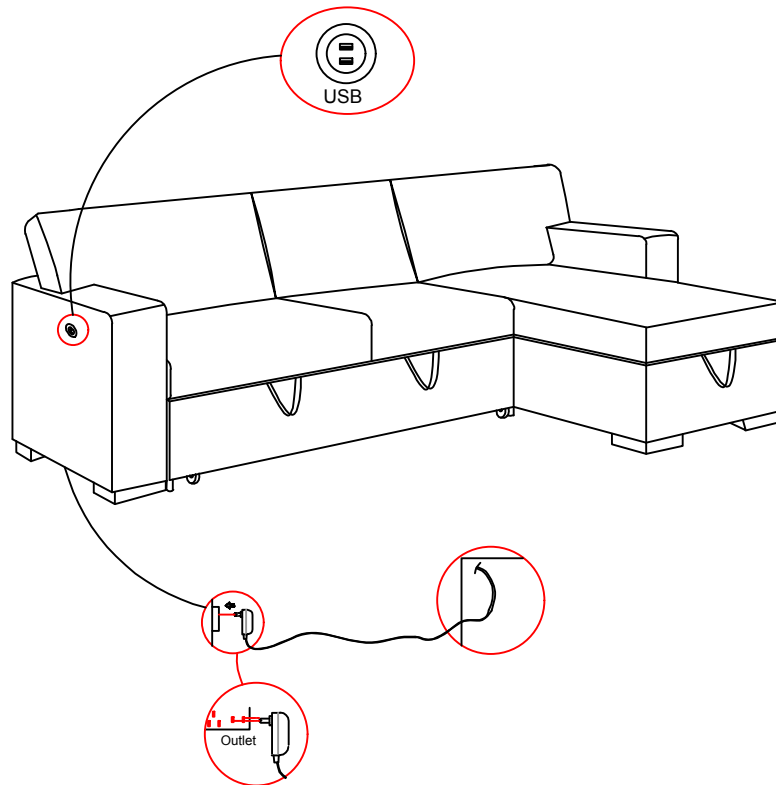


# ASSEMBLY INSTRUCTIONS

## STEP 7



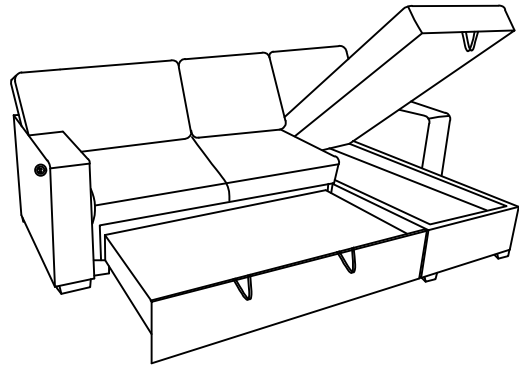
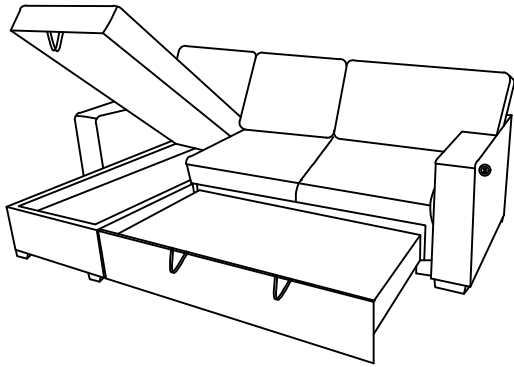
## STEP 8





# ASSEMBLY INSTRUCTIONS

STEP 9



STEP 10

