



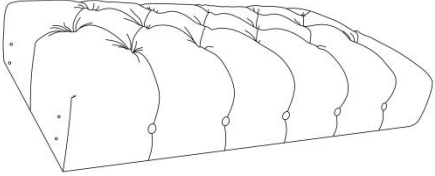
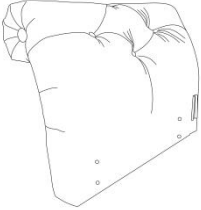
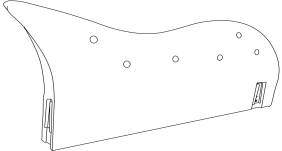
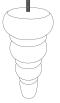




Assembly Instruction

ITEM NO.:1044DV-5
CHAISE

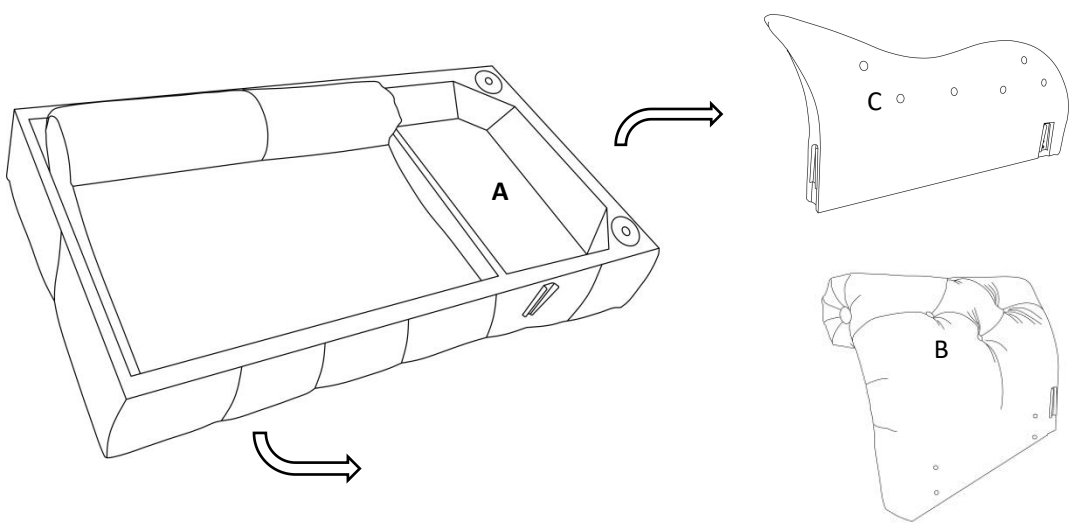


Note: Do not use power tools for assembly. Power tools increase the risk of over tightening which lead to spliting or cracking the wood.

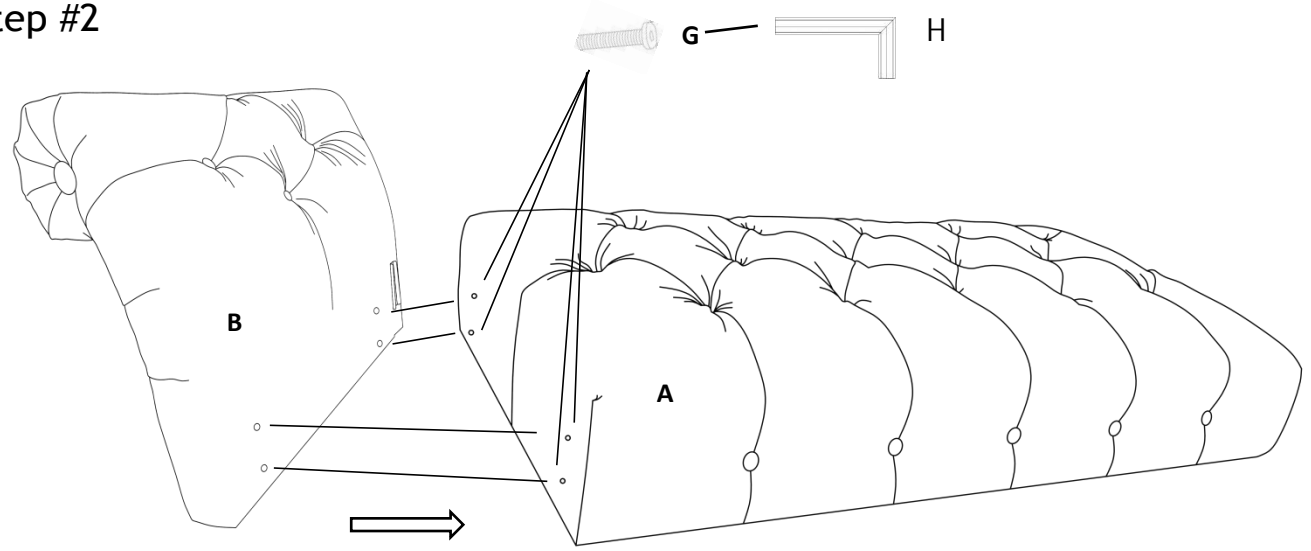
Component list

No	Drawing	Qty	Description
A		1	SEAT
B		1	ARM
C		1	BACK REST
D		4	WOODEN LEG (H=7.75'')
E		4	FLAT WASHER $\Phi=1.77''$
F		1	BOLT ARBOR
G		4	BOLT (M8*60)
H		1	ALLEN WRENCH

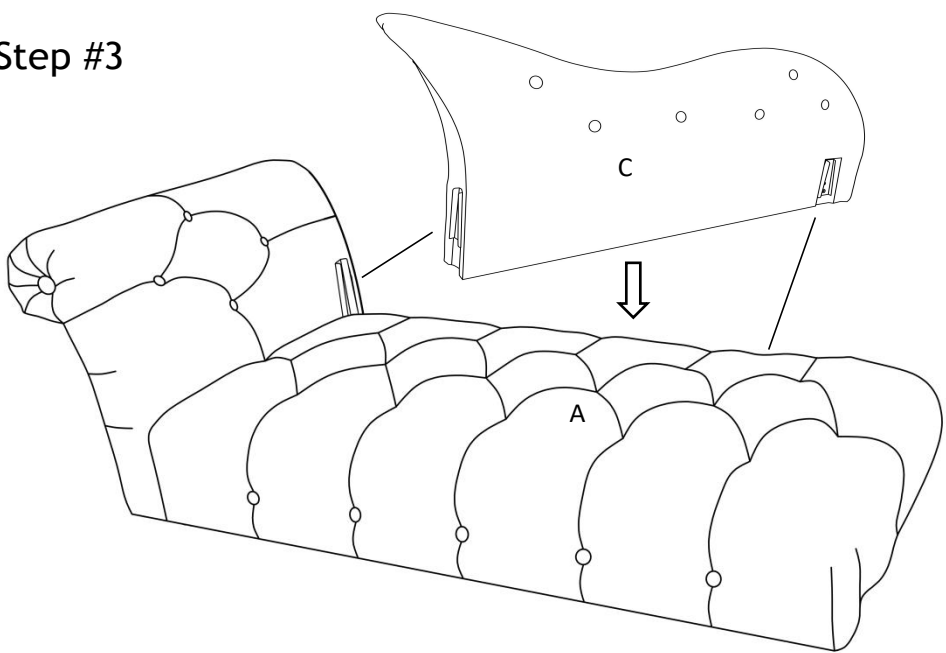
Step #1



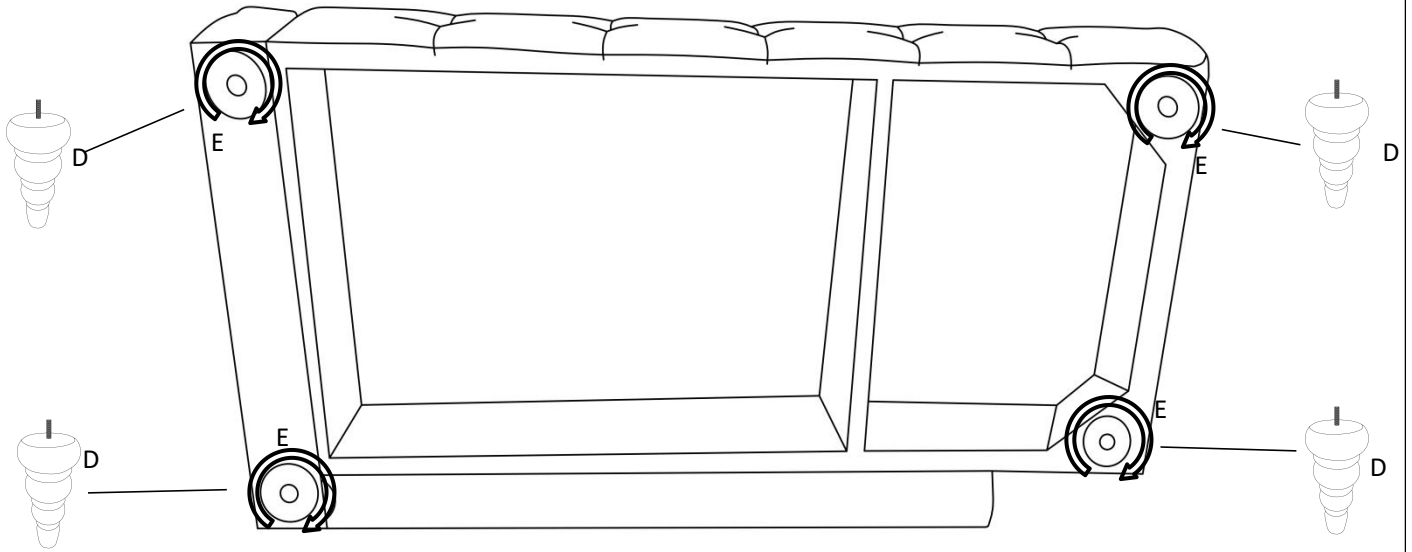
Step #2



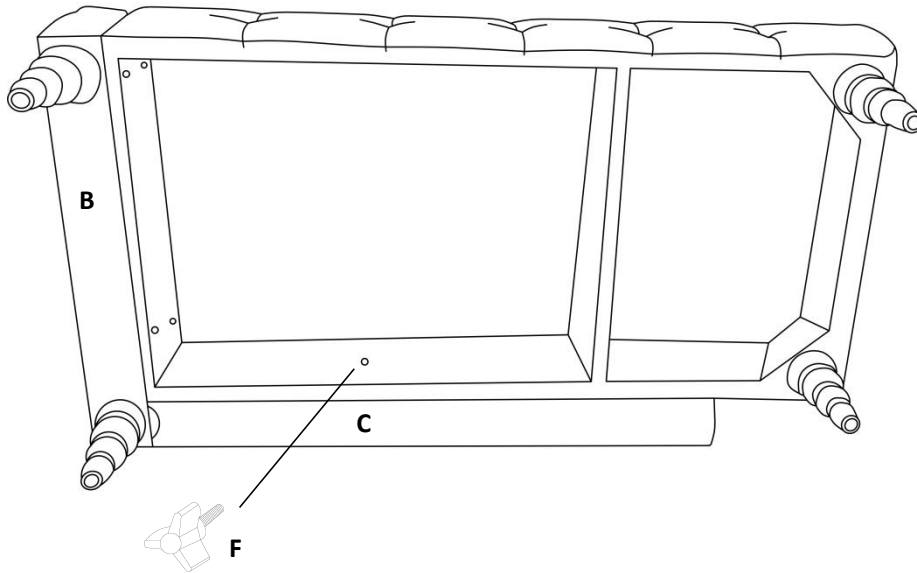
Step #3



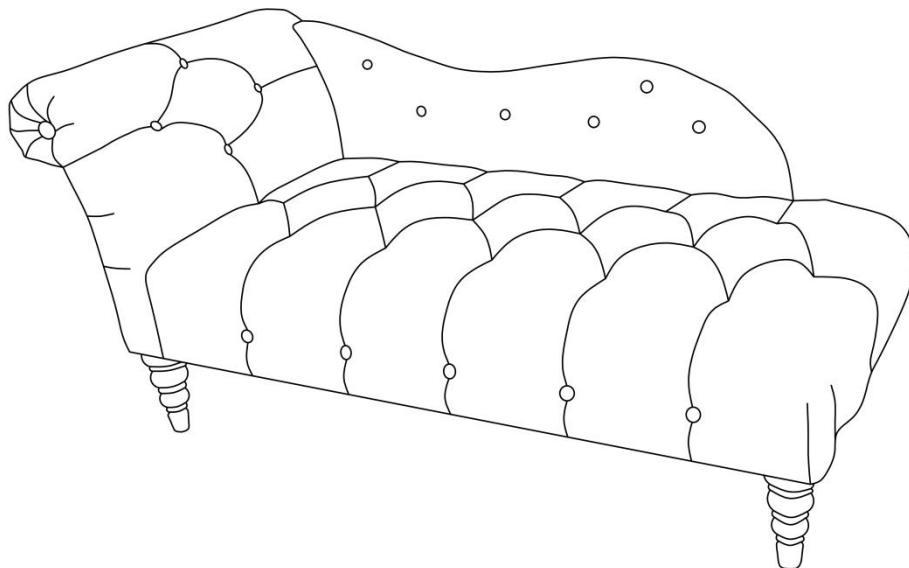
Step #4



Step #5



Step #6



Care Instruction for Linen-Like Furniture:

In order to maintain the original appearance of your Linen-Like Furniture, please follow below simple care procedures:

- Avoid exposing furniture directly to sunlight or heating and air conditioning outlets. Sunlight and or exposure to heating and air conditioning outlets will fade/damage Linen-Like.
- Vacuum or wipe with a soft cloth to remove dust.



For items use on wooden floor, hard surfaces or carpets, it is recommended to Install protective pads under all legs and supports to avoid/prevent from damages/scratches and discoloration.