


ASSEMBLY INSTRUCTION

5603RF-24F1

COUNTER HEIGHT STOOL

Thank you for purchasing this product. Please take time to read and follow the instructions below. Check that you have all parts and hardware before assembly. Parts apparently missing are often found in the packing materials. If you do not have all the parts listed, have your dealer contact us and they will be sent to you immediately.

 It is recommended to install protective pads under all legs and supports to avoid damage or scratches when placing furniture on a wood floor or other hard surface, and to limit indentation and prevent discoloration if placing on carpet.

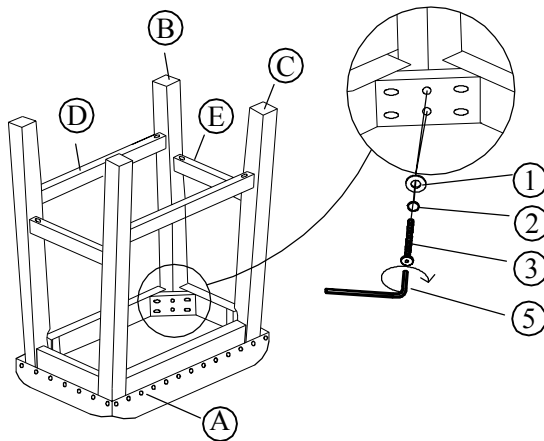
PART LIST

NO:	DESCRIPTION	QTY
A	SEAT	1PC
B	LEG B	2PCS
C	LEG C	2PCS
D	LONG CROSS BAR	2PCS
E	SHORT CROSS BAR	2PCS

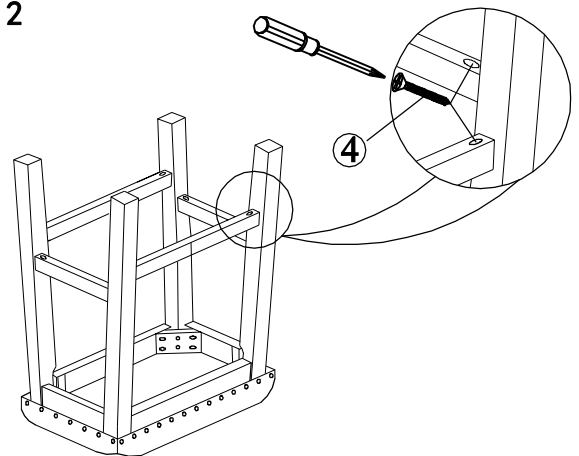
HARDWARE LISTS

NO:	DESCRIPTION	SIZE	QTY
1	FLAT WASHER	1/4"*17/64"*3/4"*5/64"	8pcs
2	SPRING WASHER	1/4"*17/64"*25/64"*1/16"	8pcs
3	BOLT	1/4"-20*2-3/8"	8pcs
4	SCREW	4*1-3/4"	8pcs
5	ALLEN KEY	M4	1pc

STEP 1



STEP 2



ASSEMBLY COMPLETED

