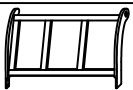




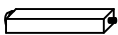











# ASSEMBLY INSTRUCTION

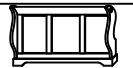


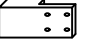
## SH2235-1 / 3 QUEEN BED






Thank you for purchasing this product. Please take time to read and follow the instructions below. Check that you have all parts and hardware before assembly. Parts apparently missing are often found in the packing materials. If you do not have all the parts listed, have your dealer contact us and they will be sent to you immediately.

**It is recommended to install protective pads under all legs and supports to avoid damage or scratches when placing furniture on a wood floor or other hard surface, and to limit indentation and prevent discoloration if placing on carpet.**

PARTS LIST			
SH2235-1			
ITEM	DESCRIPTION	SKETCH	QTY
A	HEADBOARD		1 PC
B	HEADBOARD LEG (L)		1 PC
C	HEADBOARD LEG (R)		1 PC
D	SLAT		4 PCS
E	HEADBOARD CROSSBAR		1 PC
F	SUPPORT		4 PCS

HARDWARES LIST (RED BAG)			
SH2235-1			
ITEM	DESCRIPTION	SKETCH	QTY
1	JCBB SCREW (M8 x 35MM)		10 PCS
2	SPRING WASHER (M8 x 14MM)		6 PCS
3	FLAT WASHER (M8 x 22MM)		6 PCS
4	JCBC SCREW (M6 x 40MM)		2 PCS
5	SPRING WASHER (M6 x 13MM)		2 PCS
6	FLAT WASHER (M6 x 19MM)		2 PCS
7	CSK SCREW (M4 x 32MM)		8 PCS
8	ALLEN KEY (M4 x 65MM)		1 PC
9	ALLEN KEY (M5 x 65MM)		1 PC

PARTS LIST			
SH2235-3			
ITEM	DESCRIPTION	SKETCH	QTY
G	FOOTBOARD		1 PC
H	SIDE RAIL (i)		2 PCS
I	SIDE RAIL (ii)		2 PCS
J	SIDE RAIL SUPPORT LEG		2 PCS

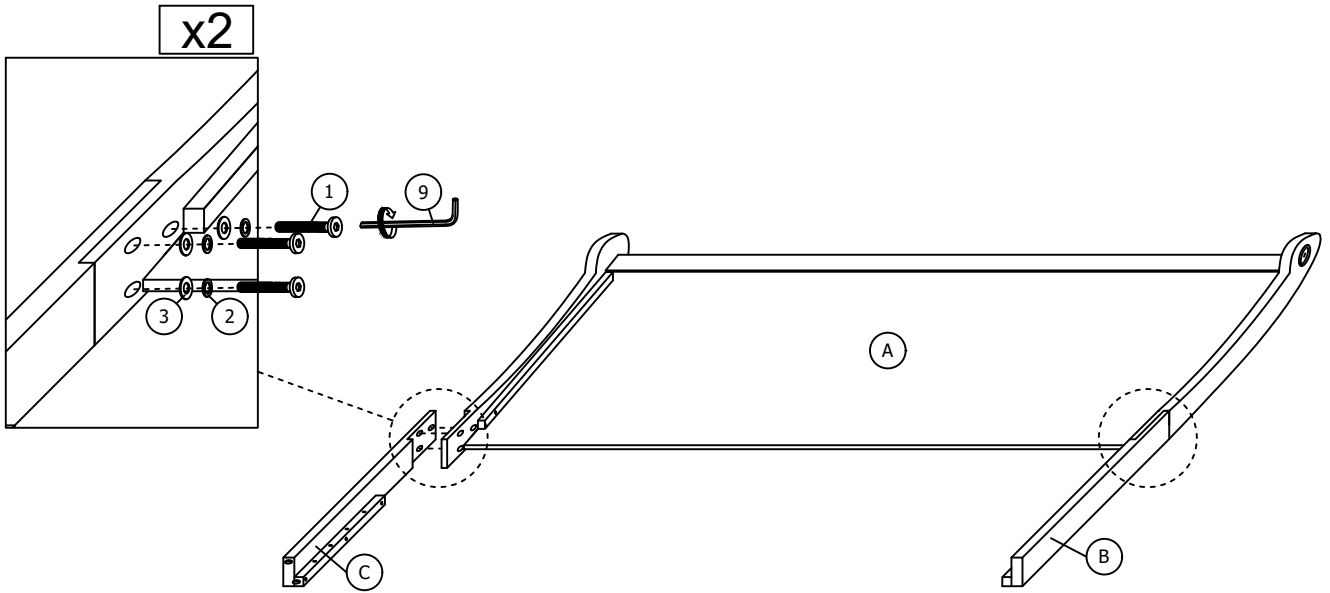
HARDWARES LIST (WHITE BAG)			
SH2235-3			
ITEM	DESCRIPTION	SKETCH	QTY
1	JCBB SCREW (M8 x 35MM)		4 PCS
2	JCBB SCREW (M8 x 25MM)		8 PCS
3	SPRING WASHER (M8 x 14MM)		8 PCS
4	FLAT WASHER (M8 x 22MM)		8 PCS
5	ALLEN KEY (M5 x 65MM)		1 PC

# ASSEMBLY INSTRUCTION

SH2235-1 / 3 QUEEN BED

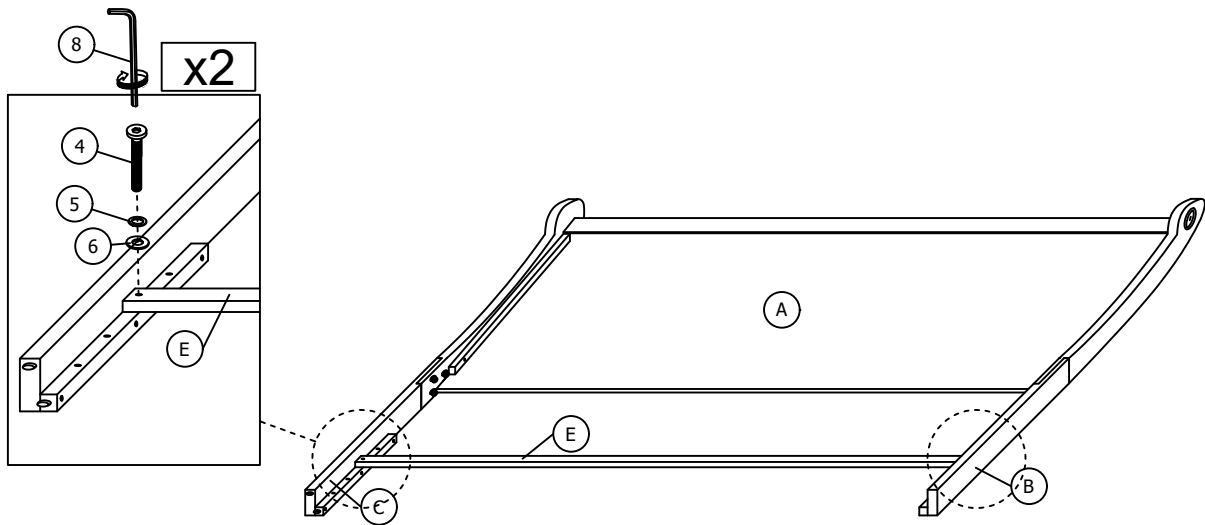
## (SH2235-1) ASSEMBLE STEP

### STEP 1



## (SH2235-1) ASSEMBLE STEP

### STEP 2

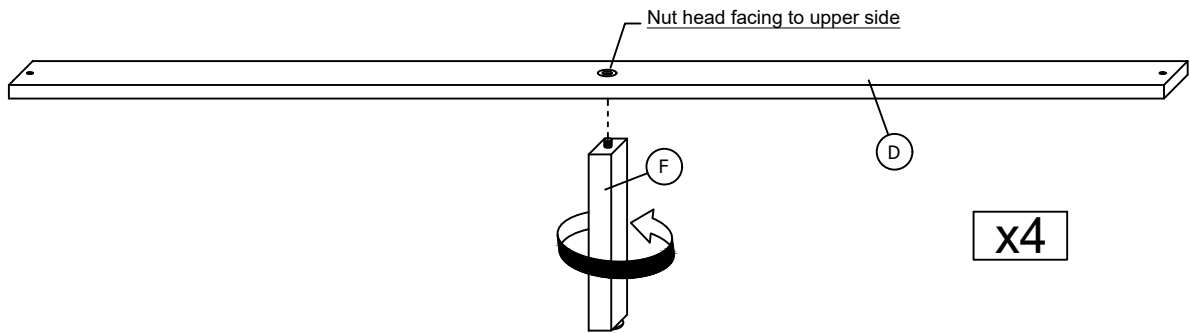


# ASSEMBLY INSTRUCTION

SH2235-1 / 3 QUEEN BED

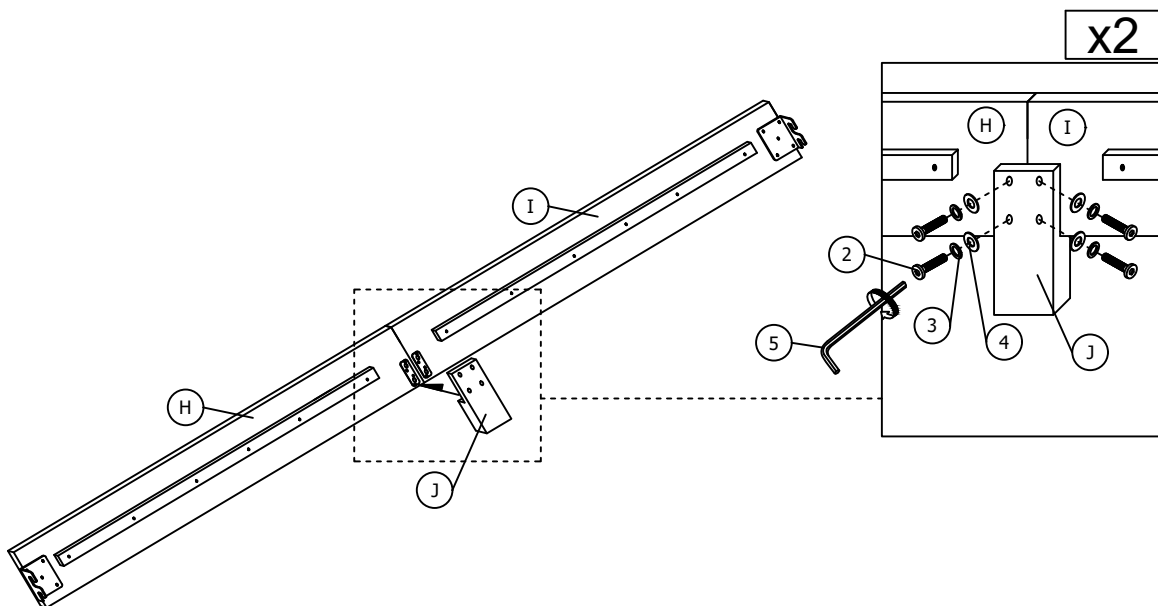
## (SH2235-1) ASSEMBLE STEP

### STEP 3



## (SH2235-3) ASSEMBLE STEP

### STEP 4

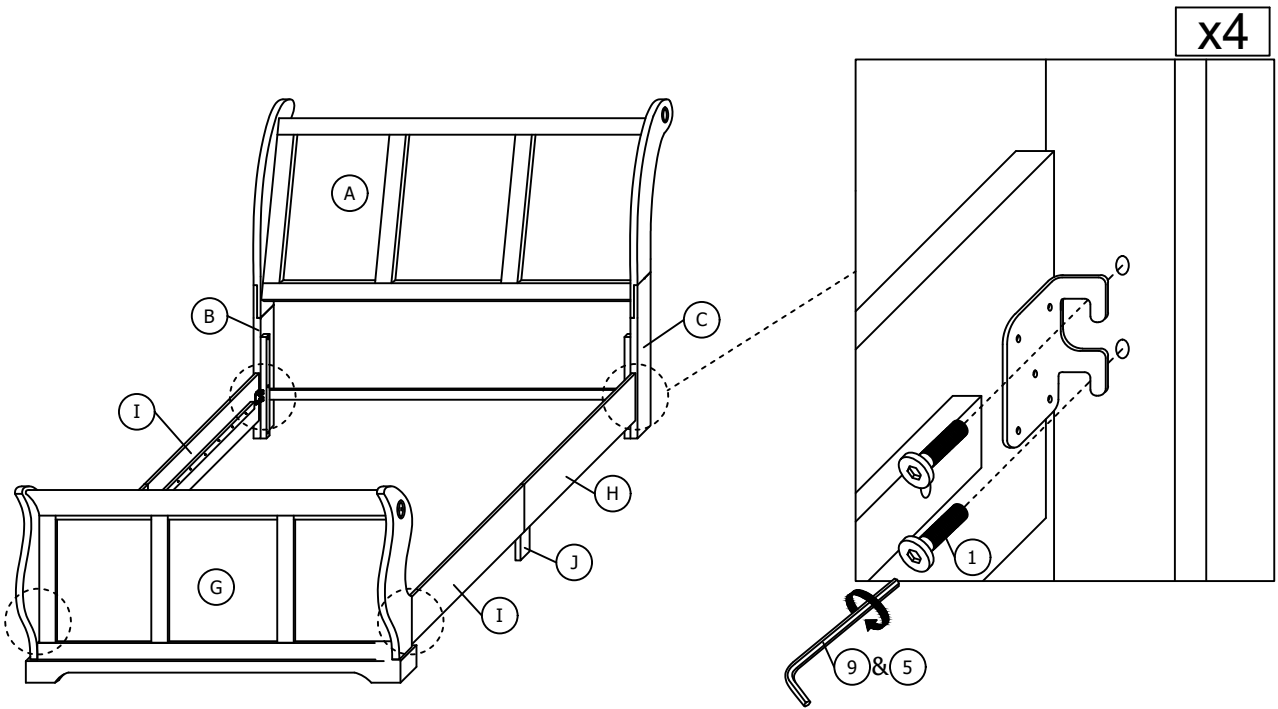


# ASSEMBLY INSTRUCTION

SH2235-1 / 3 QUEEN BED

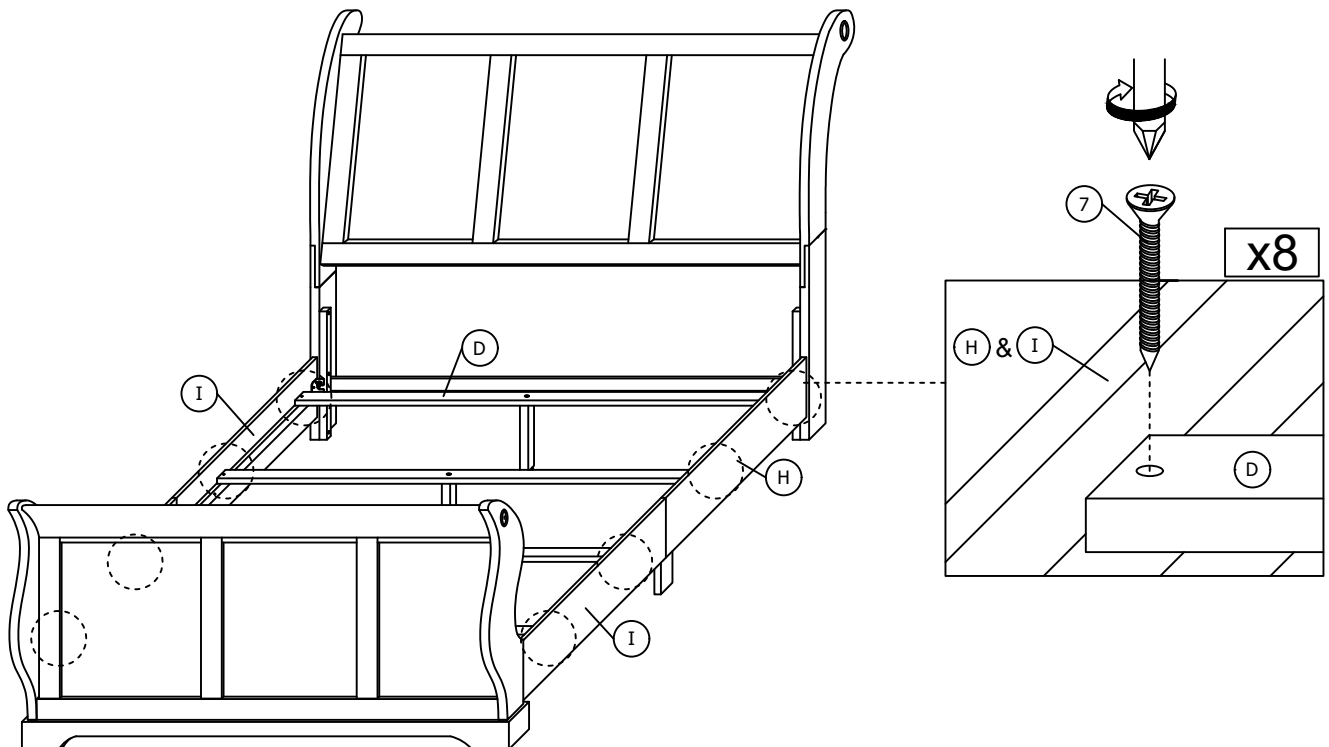
## (SH2235-1)&(SH2235-3) ASSEMBLE STEP

### STEP 5



## (SH2235-1)&(SH2235-3) ASSEMBLE STEP

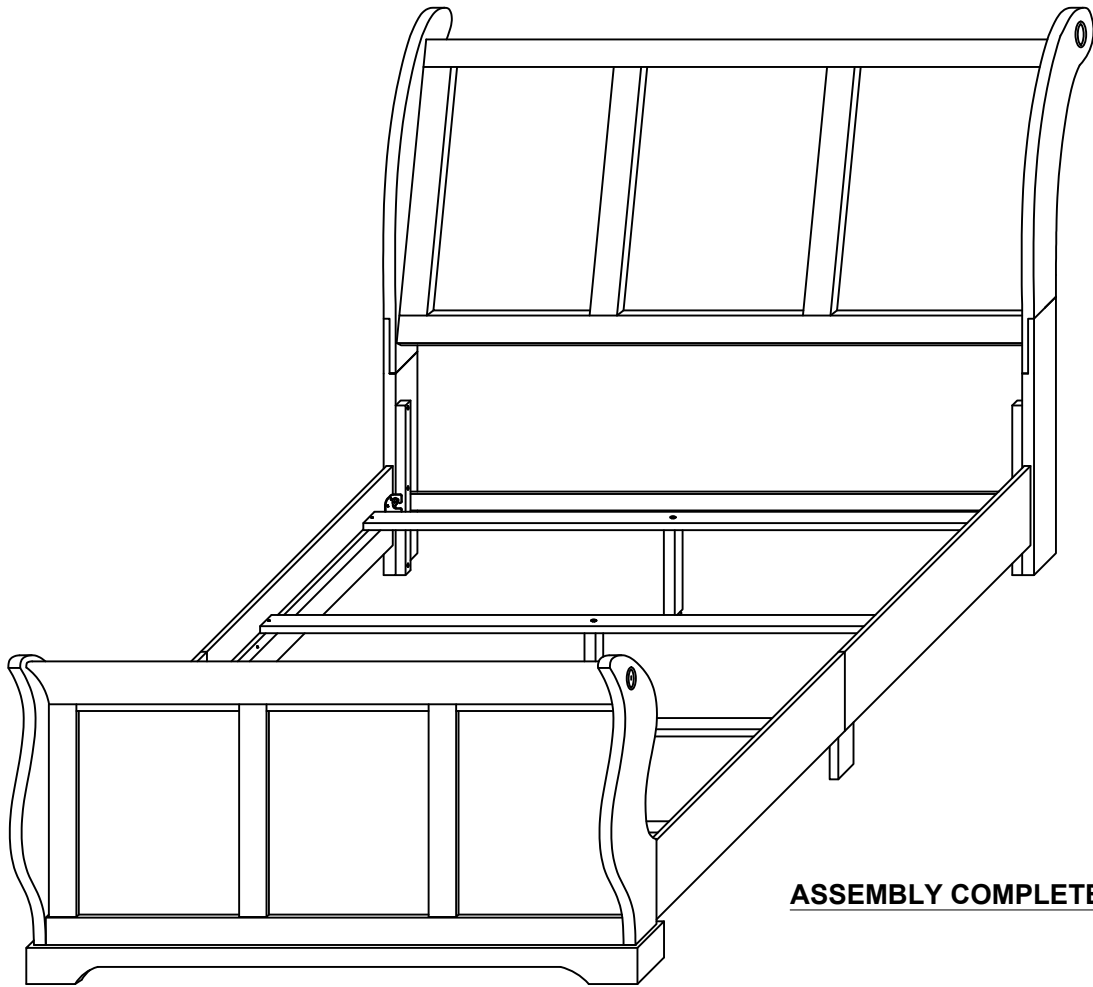
### STEP 6



# ASSEMBLY INSTRUCTION

SH2235-1 / 3 QUEEN BED

## STEP 7



**ASSEMBLY COMPLETED**