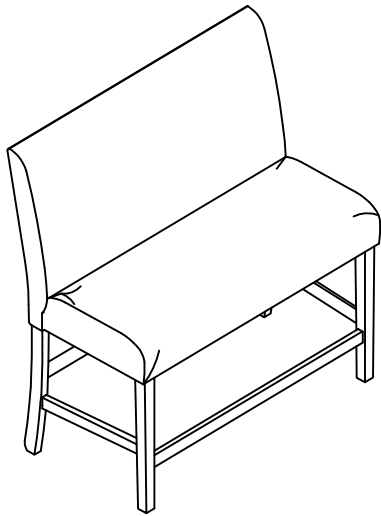




ASSEMBLY INSTRUCTION

ITEM NO:SH1185BRN-24BH/SH1185GRY-24BH UPHOLSTERED COUNTER HEIGHT BENCH WITH BACKREST



Thank you for purchasing this product. Please take time to read and follow instructions below. Check that you have all parts and hardware before assembly. Parts apparently missing are often found in packing materials. If you do not have all parts listed, call us and they be sent to you immediately

! It is recommended to install protective pads under all legs and supports to avoid damage or scratches when placing furniture on a wood floor or other hard surface, and to limit indentation and prevent discoloration if placing on carpet.

! Hardware may loosen over time .Periodically check to make sure all connections are tight. Re-tighten if necessary.

PARTS LIST

NO.	SKETCH	DESCRIPTION	Q'TY
A		CHAIR BACK	1PC
B		SEAT FRAME WITH CUSHION	1PC
C		LEFT LEG	1PC
D		RIGHT LEG	1PC
E		FRONT LONG STRETCHER	1PC
F		SIDE STRETCHER	2PCS

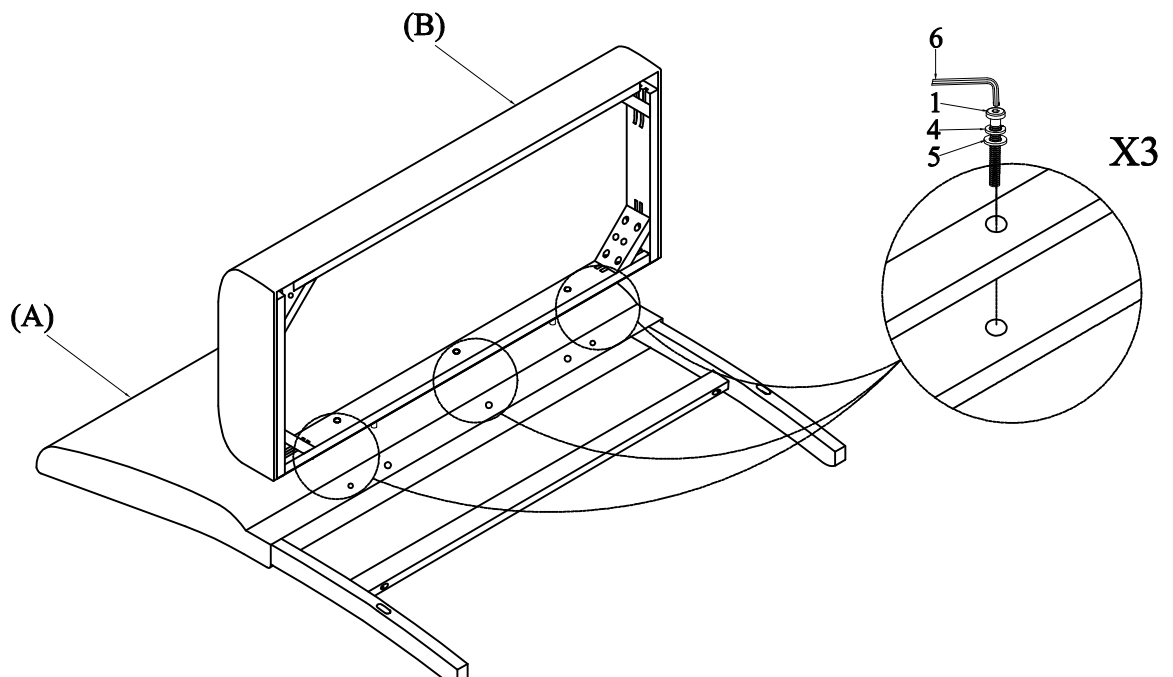
HARDWARE LIST

NO.	DESCRIPTION	SIZE	SKETCH	Q'TY
1	BOLT	Ø1/4" x 1-5/8"		3PCS
2	BOLT	Ø1/4" x 2-3/8"		4PCS
3	BOLT	Ø1/4" x 3-1/8"		4PCS
4	LOCK WASHER	Ø1/4"		11PCS
5	FLAT WASHER	Ø1/4"x 3/4"		11PCS
6	ALLEN KEY	1/6" x 2-1/4"		1PC
7	WOOD SCREW	#4*45mm		6PCS

Step 1

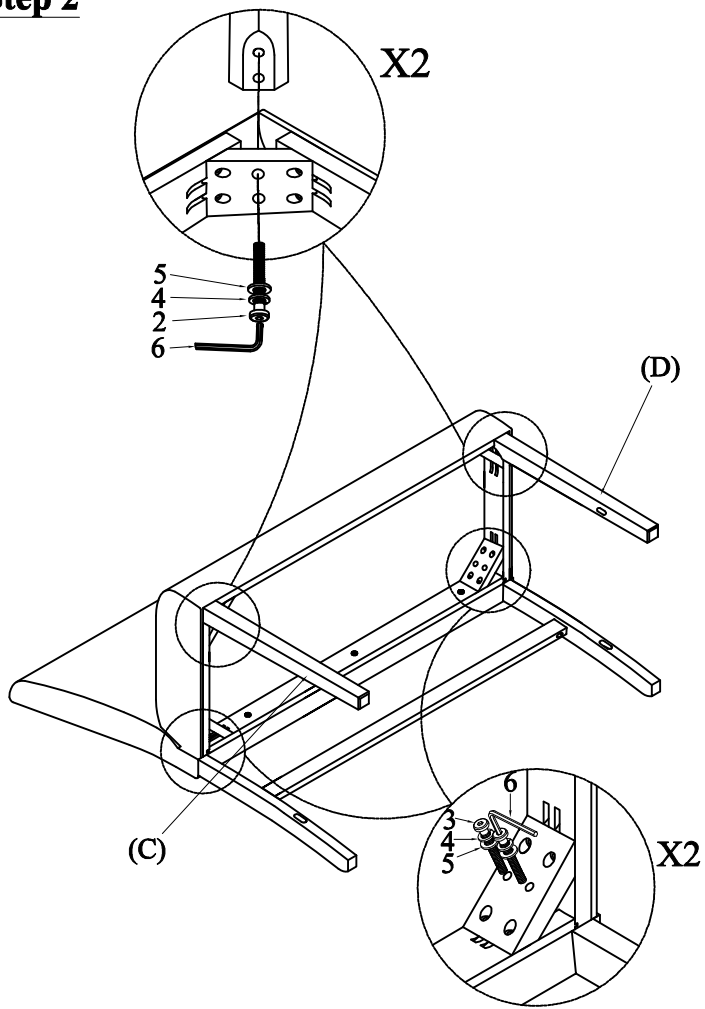
**ABOVE HARDWARE ARE PACKDE IN #SH1185BRN-24BH/SH1185GRY-24BH FOR ASSEMBLY.

**SCREW DRIVER(NOT PROVIDED)

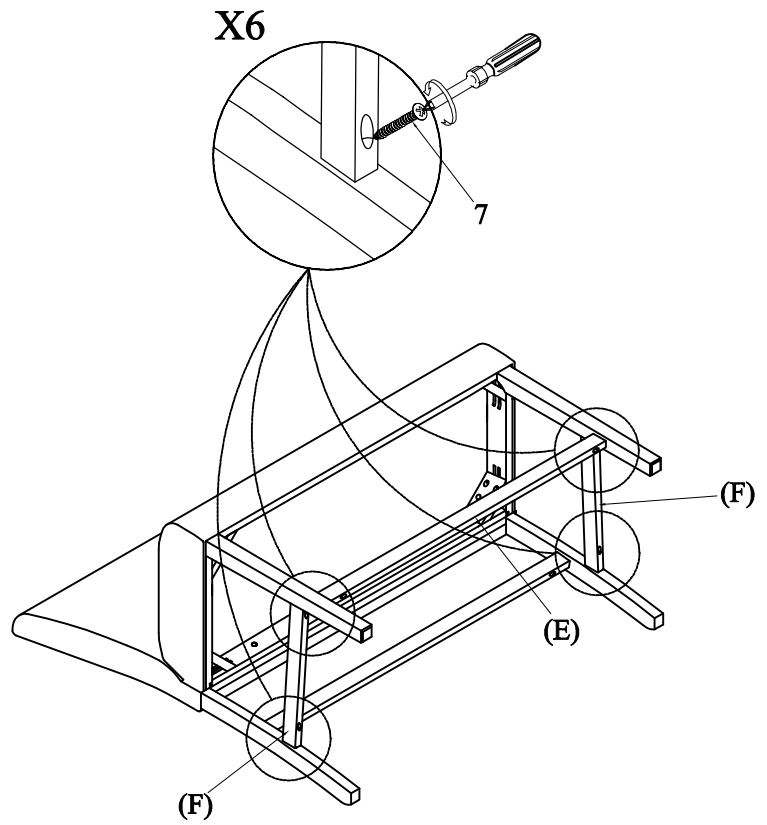


**DO NOT TIGHTEN BOLTS UNTIL COMPLETELY ASSEMBLED.
MADE IN VIETNAM**

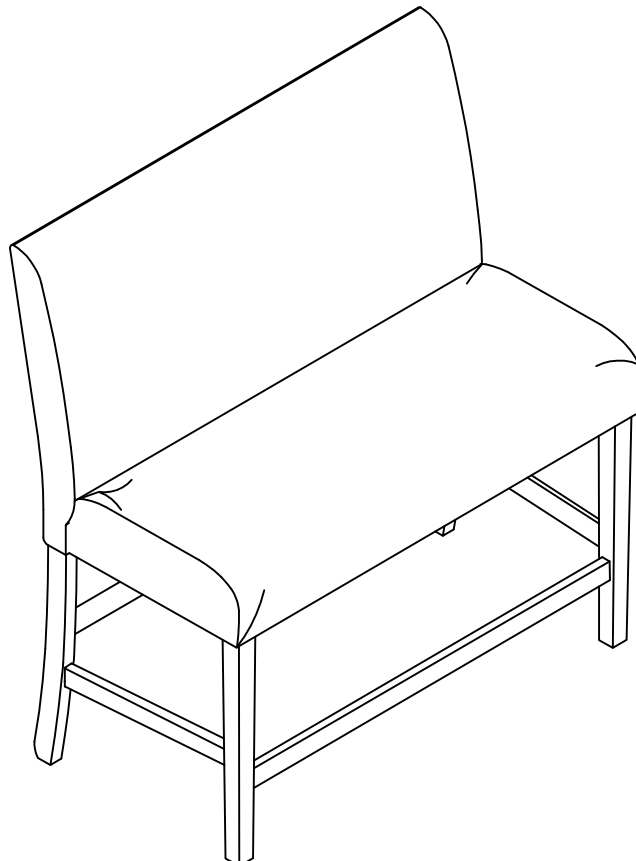
Step 2



Step 3



Step 4



ASSEMBLY COMPLETED