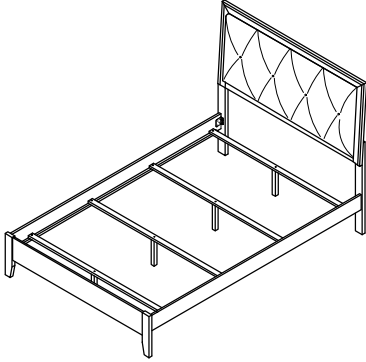


ASSEMBLY INSTRUCTION

ITEM NO: SH2212F-1 / SH2212F-3

FULL CUSHION HEADBOARD & FOOTBOARD /
FULL SIDE RAILS

Item Illustration

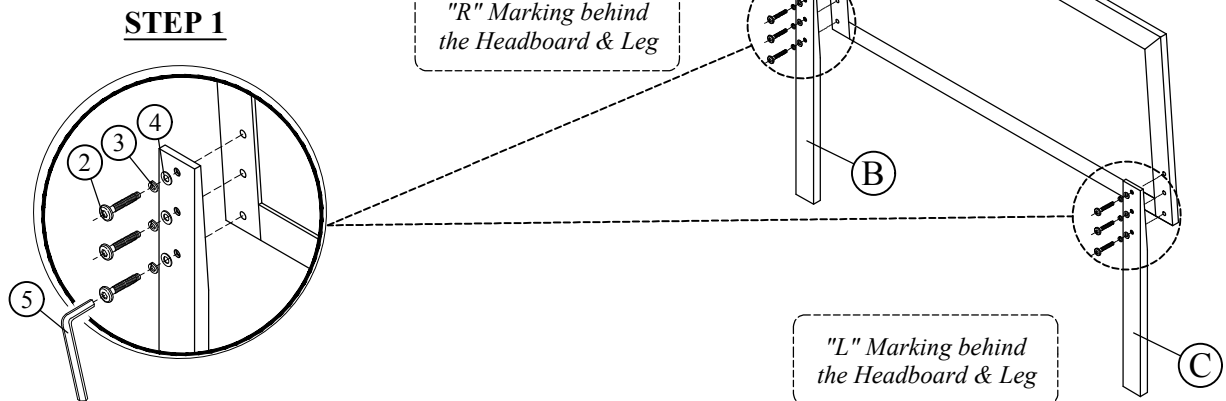


Thank you for purchasing this product. Please take time to read and follow the instructions below. Check that you have all parts and hardware before assembly. Parts apparently missing are often found in the packing materials. If you do not have all the parts listed, have your dealer contact us and they will be sent to you immediately.



It is recommended to install protective pads under all legs and supports to avoid damage or scratches when placing furniture on a wood floor or other hard surface, and to limit indentation and prevent discoloration if placing on carpet.

No.	PARTS LIST		Qty.	No.	HARDWARE LIST		Qty.
A		Headboard	1PC	1		Screw (CSK M4 x 32mm)	8PCS
				2		Bolt (35mm)	6PCS
B		RSF Leg	1PC	3		Spring Washer (Ø1/4")	6PCS
C		LSF Leg	1PC	4		Flat Washer (Ø1/4" x 13mm)	6PCS
D		Footboard	1PC	5		Allen Key (M4)	1PC
				6		Allen Key (M5)	1PC
E		Slat 3 Holes	4PCS	** ABOVE HARDWARE ARE PACKED IN SH2212F-1 FOR ASSEMBLY			
F		Support Leg	4PCS				
G		Side Rail **Pack in SH2212F-1	2PCS				



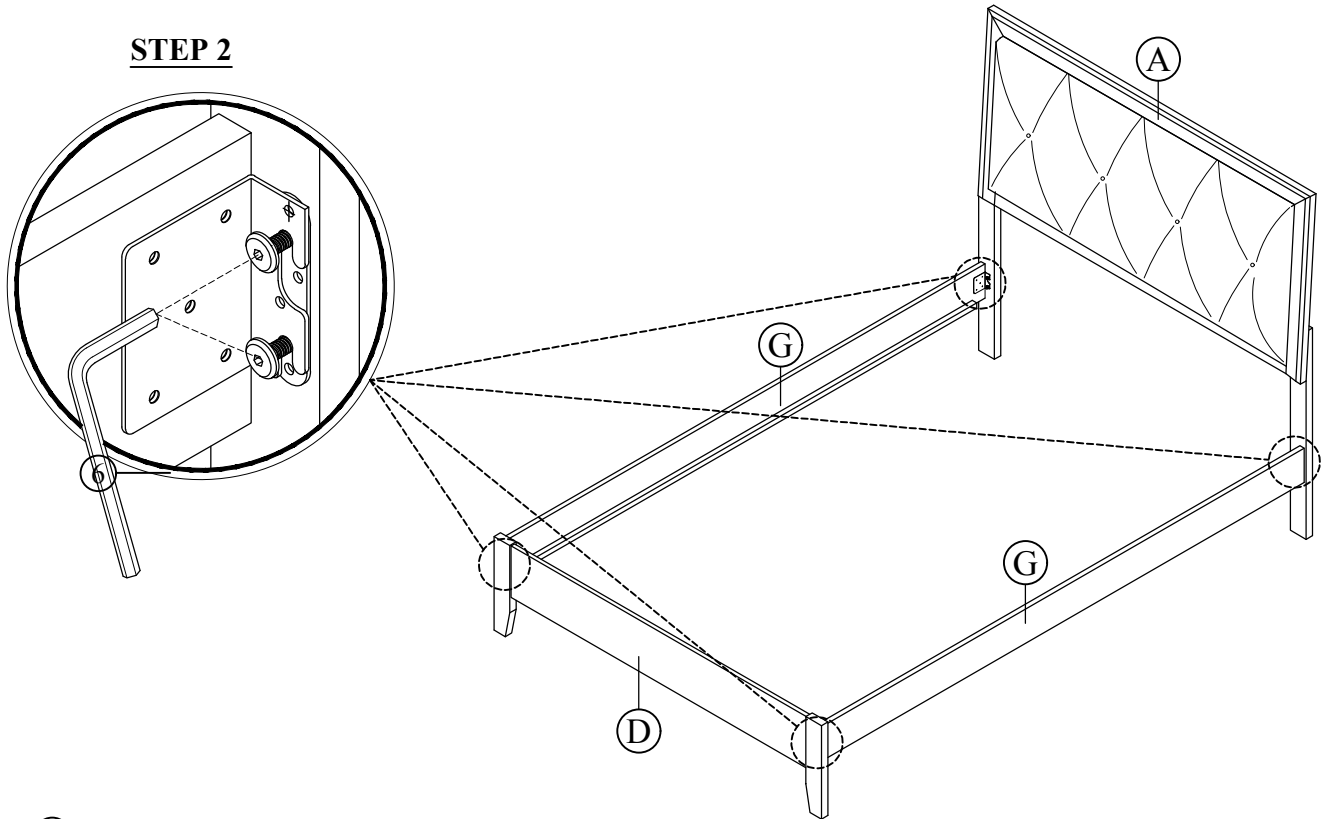
DO NOT TIGHTEN BOLTS UNTIL COMPLETELY ASSEMBLED.

ASSEMBLY INSTRUCTION

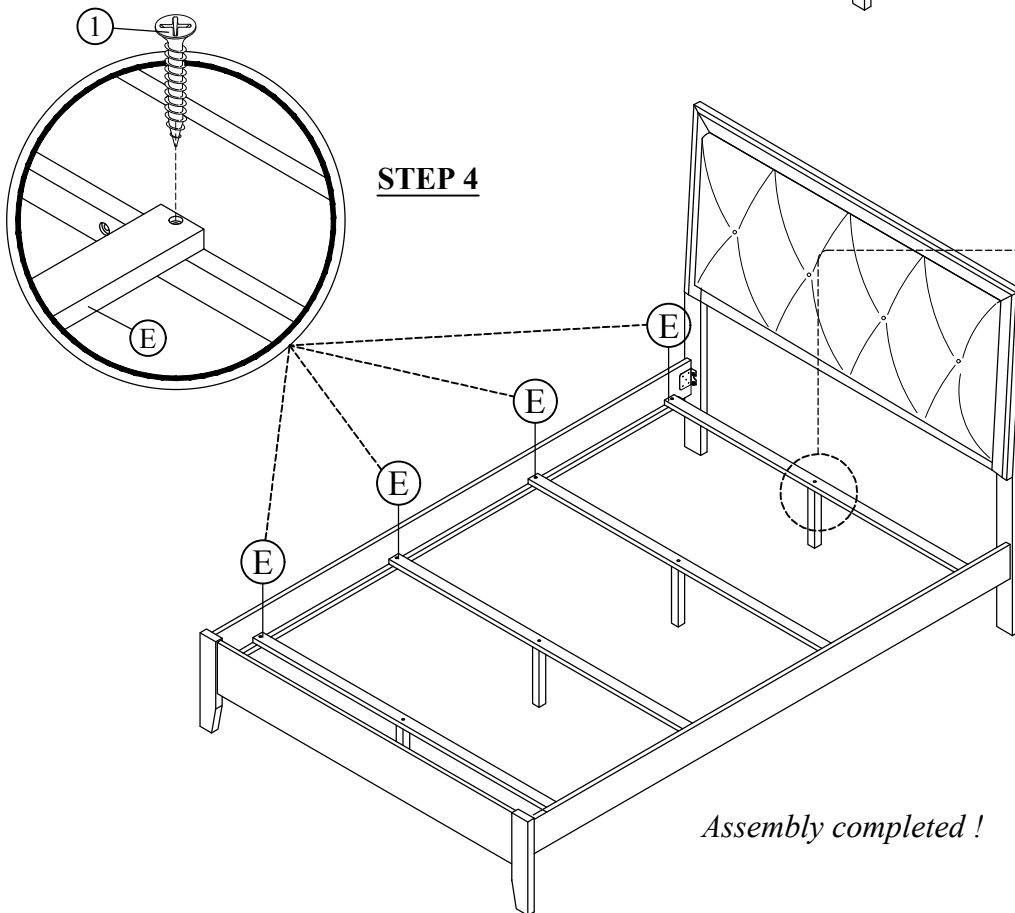
ITEM NO: SH2212F-1 / SH2212F-3

FULL CUSHION HEADBOARD & FOOTBOARD /
FULL SIDE RAILS

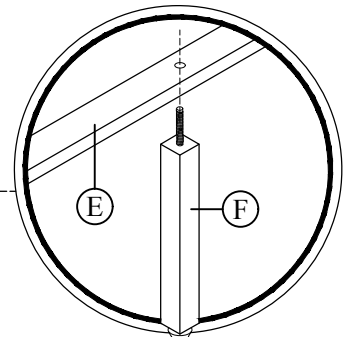
STEP 2



STEP 4

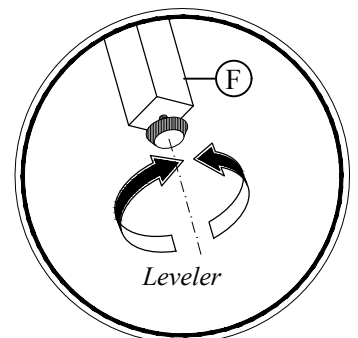


STEP 3



STEP 5

Adjust the leveler until touch the floor



Assembly completed !

DO NOT TIGHTEN BOLTS UNTIL COMPLETELY ASSEMBLED.